





目次 Index

- 18~25 搪孔刀柄
Taper Shank for Boring System
- 26~35 雙刃粗搪孔刀系統
Adjustable Twin Cutter Roughing and Semi-Finishing Boring System
- 36~43 **1143** 高速搪孔刀
For High Speed Cutting Bar Fine Boring System
- 44~45 **BMH** 搪孔刀系列
Semi-Finishing Boring System
- 46~68 極細微調精搪孔刀系統
Micro-Finishing Cutter Fine Boring System
- 69~74 小徑精搪孔系統
Small Diameter Boring System
- 75~83 h100-B72大孔徑搪孔刀組合系統
h100-B72 Large Diameter Boring System
- 84~92 h100-AL120大孔徑搪孔刀組合系統
h100-AL120 Large Diameter Boring System
- 93~97 微調精搪孔系統
Boring System





搪孔組合系統

組合式搪孔刀-兩個相隔90°有斜面的鎖緊螺絲，結合搪孔刀柄使徑向與軸向和帶動稍緊密著，產生最大的剛性。

彈性的搪孔刀組合，對應各種加工孔徑的大小及加工孔徑的深度，組合搪孔刀柄、延長接桿、縮徑接桿、結合粗搪孔刀、精搪孔刀而彈性變化。

我們依據組合刀柄外徑為系統代表稱H25，H為系統代表，25為組合刀柄外徑尺寸值，目前有H25、H32、H40、H50、H63、H80、H100系統。

大孔徑組合系統

彈性的搪孔刀組合，對應各種較大的加工孔徑及加工孔徑的深度，組合搪孔刀柄、變徑滑座、結合粗搪孔刀、精搪孔刀而彈性變化，目前有h100-B72、h100-AL120系統。

Modular Boring System

Taper shank, stepped spacer, extension spacer and the body have two screw holes at a 90 degrees distance on the sides. Except taper shank, the stepped spacer, extension spacer and the body have a pin. A hole can also be found at the bottom of taper shank, stepped spacer and extension spacer. With these features of two screw holes, a pin and a bottom hole, the combination of taper shank with any of the stepped spacer, extension spacer and body, makes a tight lock in the system as it makes a strong interaction; thus, showing a more rigid feature of our modular boring system.

Besides being rigid, the modular boring system is also very flexible. Its flexibility allows the system to easily adapt to process various sizes and depth of the hole of the diameter.

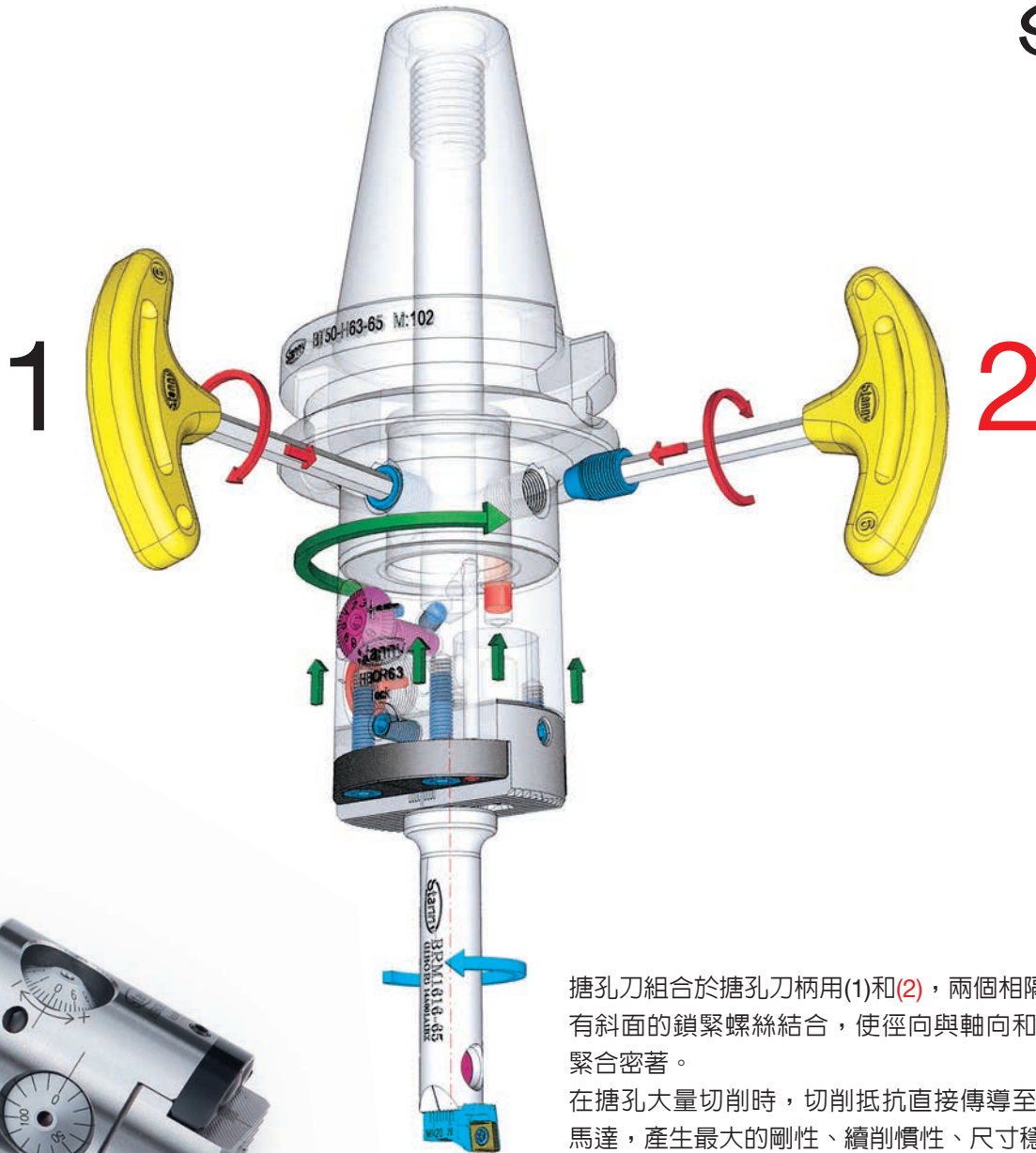
In naming the outer diameter of the taper shank, extension spacer, stepped spacer and boring head, we used the symbol "H" followed by a number, which represents the size of the outer diameter. For instance, H25, wherein in "H" is the symbol while 25 is the value of the outer diameter. Hence, in this series, there are H25, H32, H40, H50, H63, H80 and H100 system.

Large Diameter Modular Boring System

Large diameter modular boring system is also very flexible. Its flexibility allows the system to easily adapt to process various more big sizes and depth of the hole of the diameter. Hence, in this series, there are h100-B72 and h100-AL120 system.



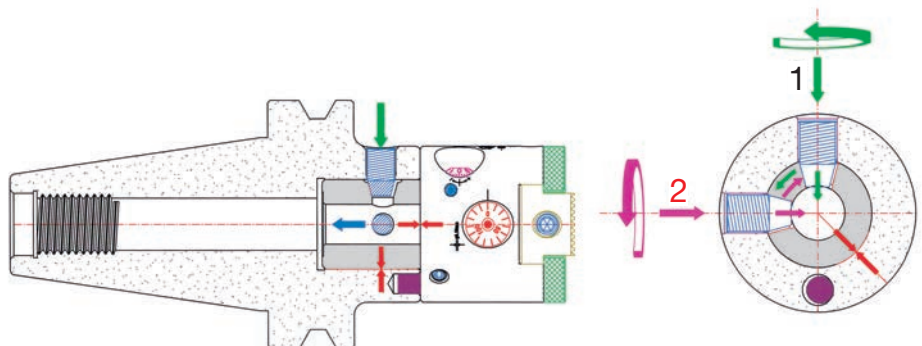




搪孔刀組合於搪孔刀柄用(1)和(2)，兩個相隔90°有斜面的鎖緊螺絲結合，使徑向與軸向和帶動梢緊合密著。
 在搪孔大量切削時，切削抵抗直接傳導至主軸與馬達，產生最大的剛性、續削慣性、尺寸穩定。

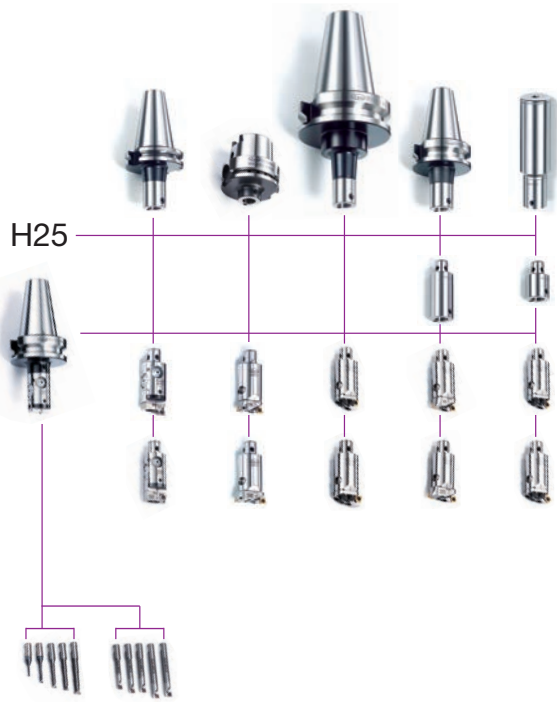
Modular boring system combination taper shank, stepped spacer, extension spacer and the body have two screw holes at a 90 degrees distance on the sides. Except taper shank, the stepped spacer, extension spacer and the body have a pin. A hole can also be found at the bottom of taper shank, stepped spacer and extension spacer. With these features of two screw holes, a pin and a bottom hole, the combination of taper shank with any of the stepped spacer, extension spacer and body, makes a tight lock in the system as it makes a strong interaction.

When boring, the cutting force is conducted to the spindle and motor providing a more rigid, continuous cutting action and dimensional stability.

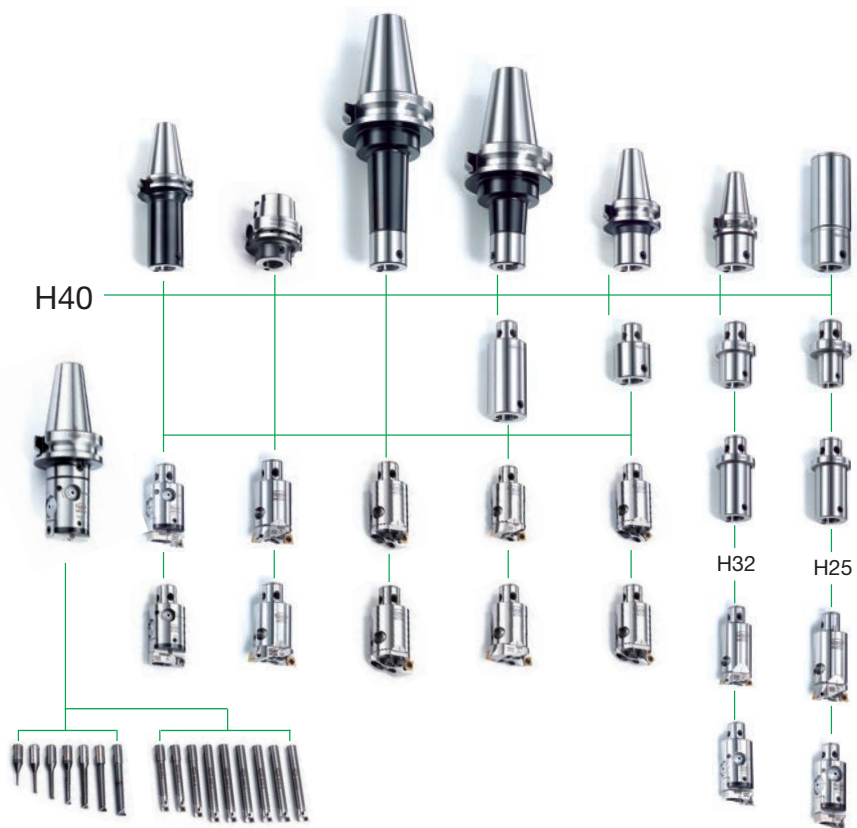




搪孔組合系統
Modular Boring System

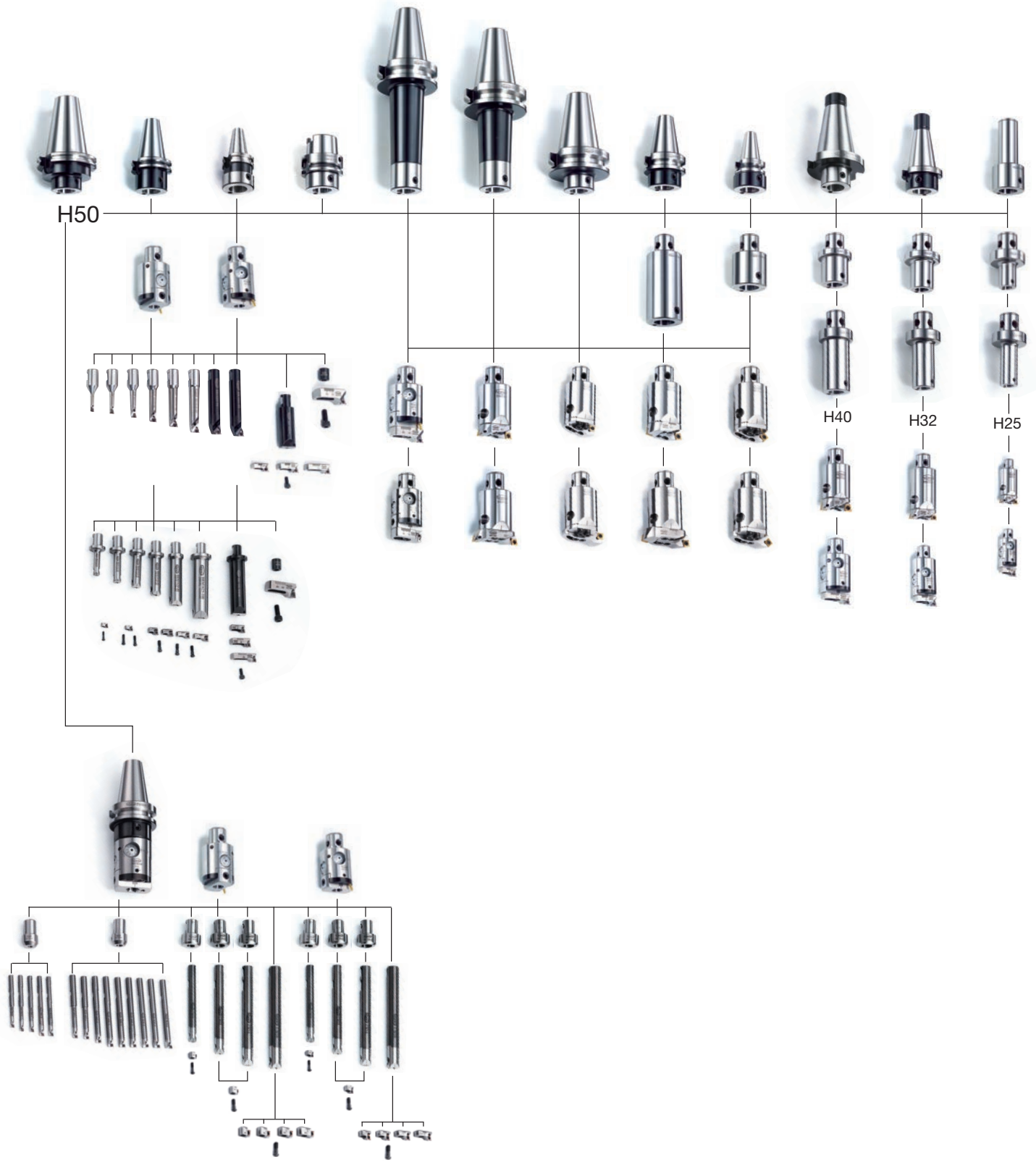


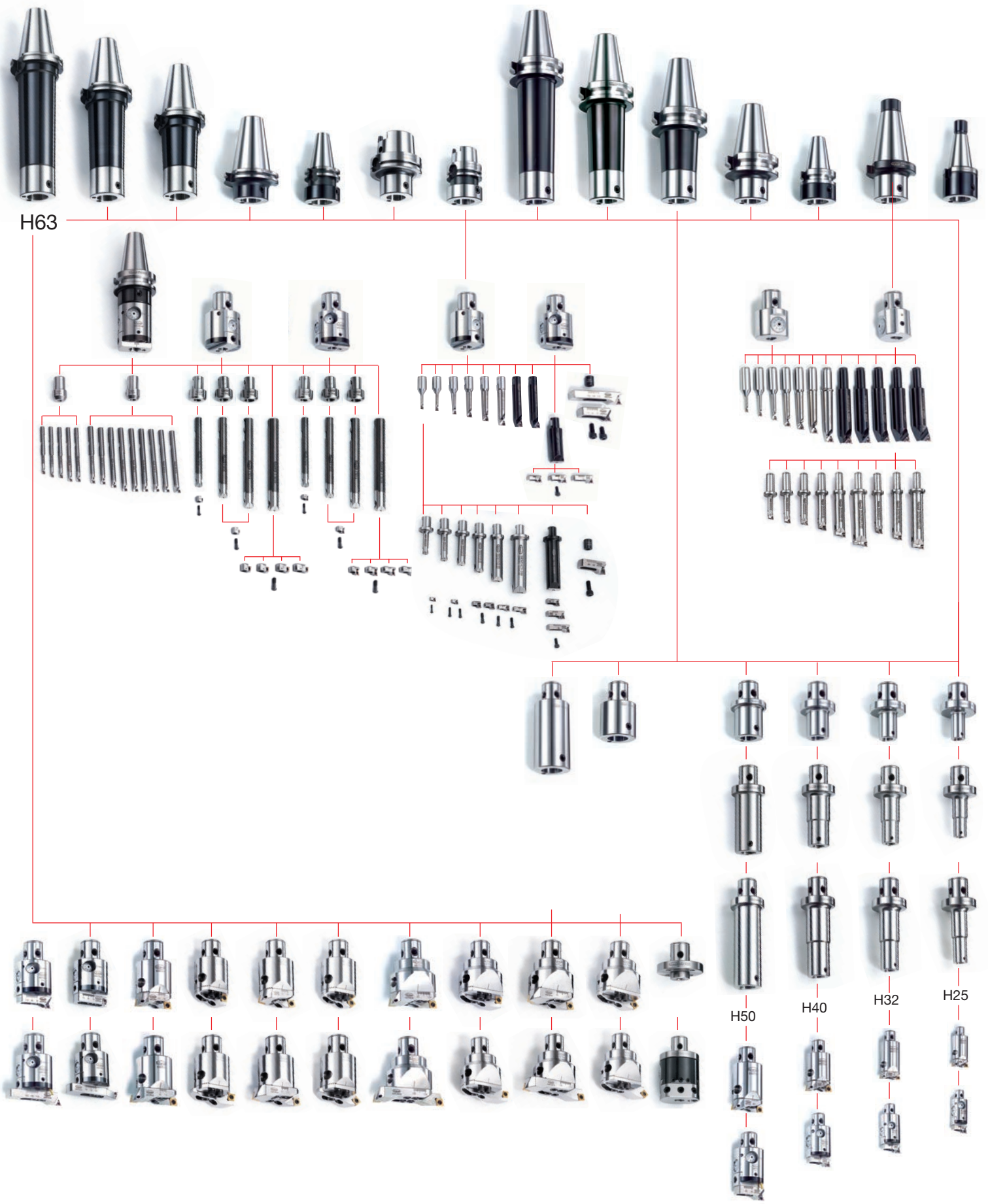
- TW Pat.166331
- TW Pat.162721
- TW Pat.192985
- TW Pat.226181
- TW Pat.206367
- TW Pat.208543
- TW Pat.M360098
- TW Pat.M407801
- TW Pat.M444234
- TW Pat.I491457
- TW Pat.M501907
- TW Pat.M513747
- TW Pat.M513076
- CN Pat.ZL 02 2 64588.8
- CN Pat.ZL 02 2 64589.6
- CN Pat.ZL 2010 1 0537456.3
- CN Pat.ZL 2015 2 0044685.X



尺寸規格如有變更，恕不另行通知。
 The above specifications are subject to change without prior notice.







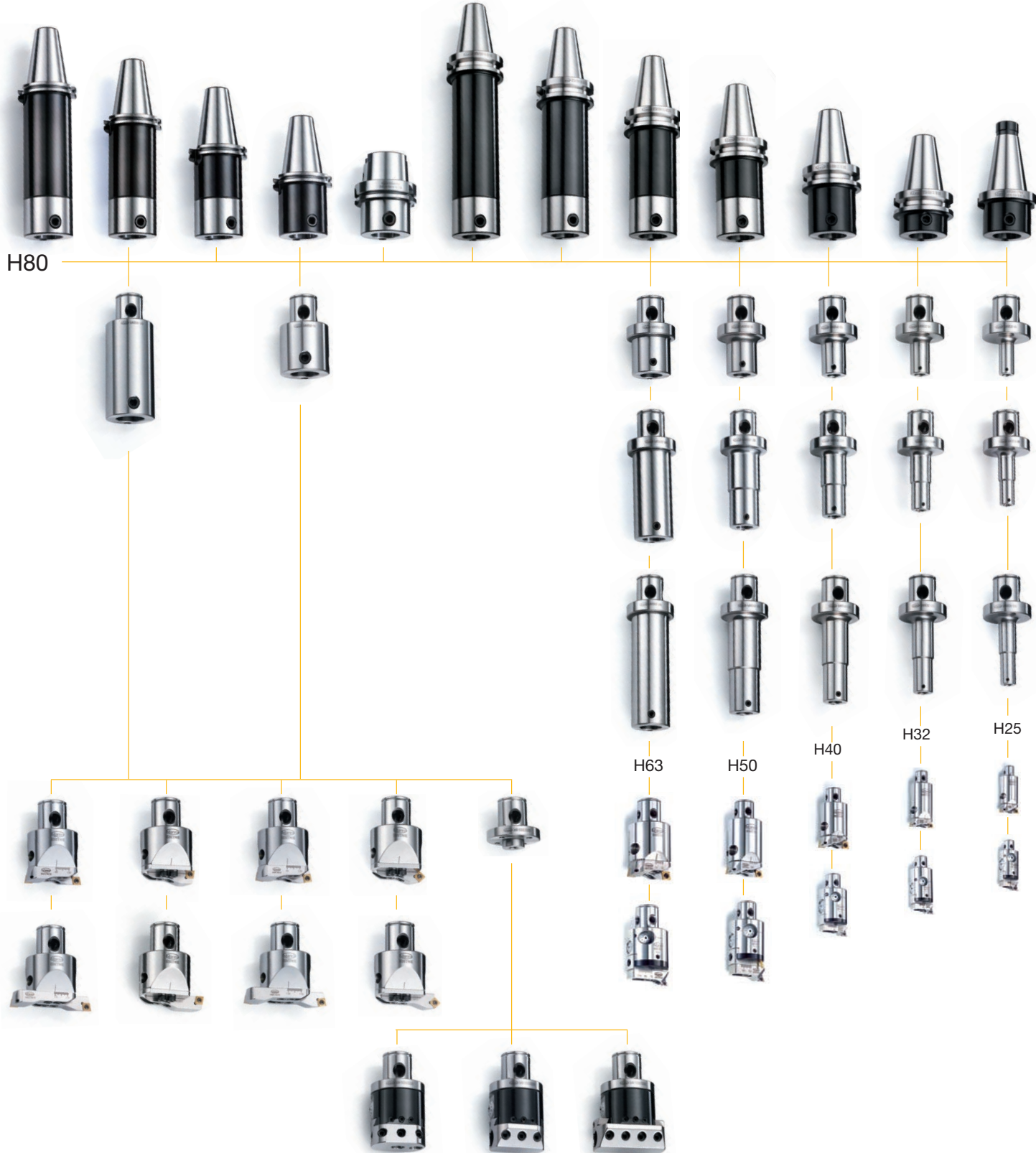
H63

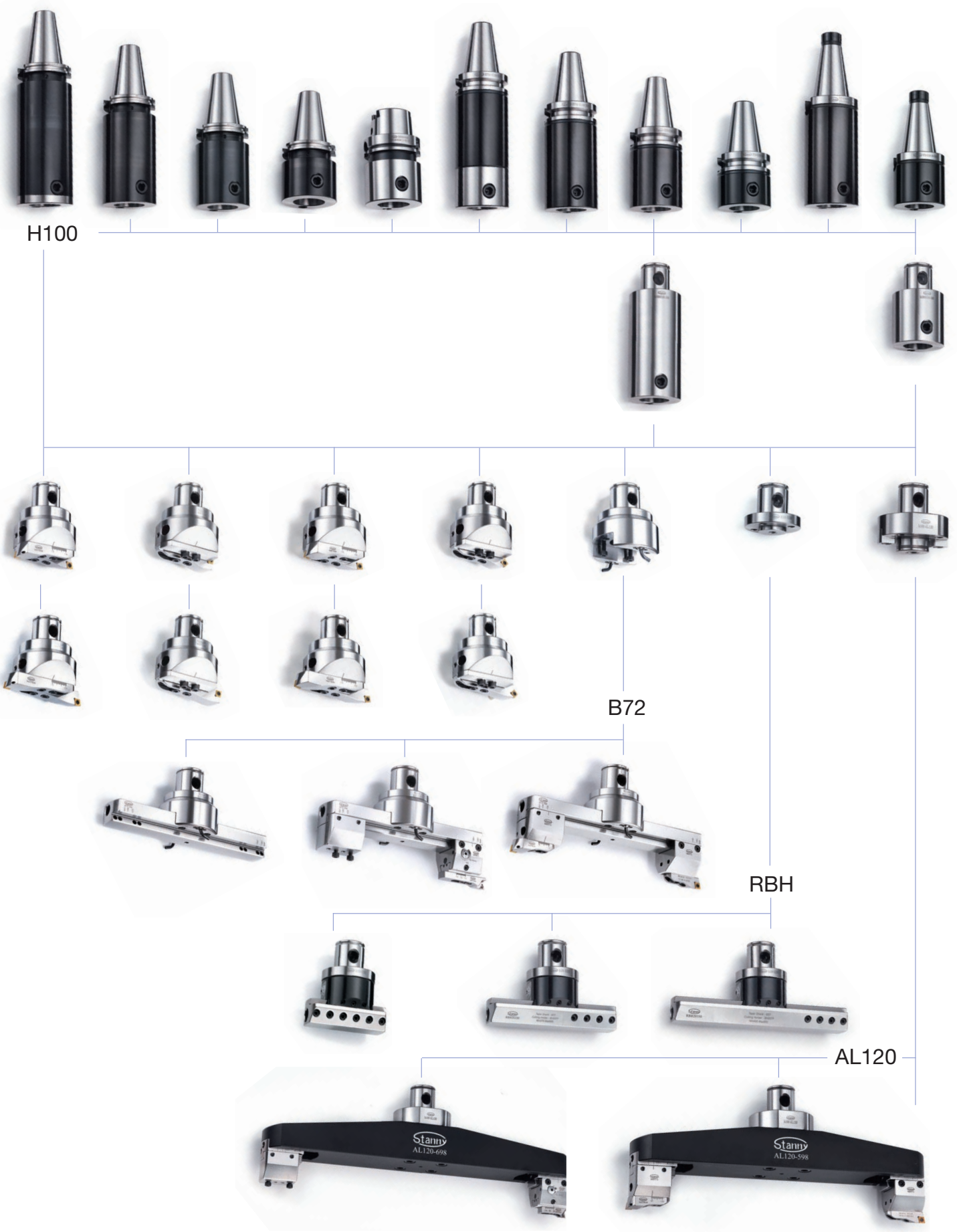
H50

H40

H32

H25







H•BIT 雙刃粗搪孔刀組合系統

功能

粗搪孔刀組合系統，由粗搪孔刀本體組合不同的粗搪孔刀座－各種不同形式的搪孔切削。

- 單刃－搪孔，校正調整單刃(SACC或SBCC)粗搪孔刀座，切削孔徑尺寸－單刃精搪孔。
- 單刃－反搪，校正調整單刃(RKCC)粗搪孔刀座，切削反搪孔孔徑。
- 單刃－45°倒角，校正調整單刃(IWSC)粗搪孔刀座，切削孔徑正反倒角。
- 雙刃－粗搪，校正調整雙刃(SACC + SACC)或(SBCC + SBCC)等高粗搪刀座，切削相同直徑，可快速進給粗搪孔。
- 雙刃－段差粗搪，校正調整雙刃(SACC + SBCC)不等高粗搪刀座，分別切削不同直徑，為較大量切削，分割兩段切削，較容易排屑，為粗搪深孔切削。
- 雙刃－80°粗搪，校正調整雙刃(EMSC)粗搪孔刀座，切削相同直徑。大量切削，降低切削阻力，用於貫穿孔切削。

粗搪孔刀調整粗搪孔刀座尺寸：調整螺絲每迴轉一圈，促使粗搪孔刀座位移尺寸1mm，等同於外部尺寸刻劃線一格，為實際搪孔直徑 ϕ 2mm。



H • BIT Adjustable Twin Cutter Roughing and Semi-Finishing Boring System. Function

Adjustable twin cutter roughing and semi-finishing boring system can have the following functions:

- a. We can use either SACC or SBCC cutting insert holder.
- b. We can use RKCC cutting insert holder for reverse cutting.
- c. We can use IWSC cutting insert holder for positive and negative 45° chamfer cutting.
- d. We can use two SACC (SACC + SACC) or two SBCC (SBCC + SBCC) cutting insert holders.

Note: Using the same cutting diameters can speed up the feeding of roughing boring & cutting.

- e. We can use two different insert holders SACC + SBCC

Note: Using different height and different cutting diameters is easier for chip removal.

- f. We can use two EMSC (EMSC + EMSC) 80° cutting insert holders, cutting same diameter.

Note: A lot of cutting lower cutting resistance, used for cutting through the hole.

In adjusting the roughing and semi-finishing system, when you rotate the bolt one complete turn, at the side there is a scale or graduation wherein one graduation is equal to 1mm travel, thus, the total boring diameter is $\varnothing 2\text{mm}$.



H • BIT 雙刃粗搪孔刀

特色

雙刃粗搪孔刀，具有齒形組合搪孔刀，極為穩定牢固，在齒形方向調整粗搪孔刀座尺寸，可以使粗搪孔刀座往外前進，也可以使粗搪孔刀座向內後退，自由的前進後退，在刀具設定儀上校正調整粗搪孔刀座切削孔徑尺寸，配合鎖緊刀座螺絲，很容易完成粗搪孔刀座尺寸的調整，結合於搪孔刀柄，極為穩定牢固的粗搪孔刀。

H • BIT Adjustable Twin Cutter Roughing and Semi-Finishing Boring System.

Feature

With the "gear-mat type" feature of adjustable twin-cutter roughing and semi-finishing boring system, it allows the system to move forward and backward freely. This is best for adjusting the diameter in the tool preset as it is easier to set in a shorter time.





H•BIT 雙刃粗搪孔刀

零件

- A. 鎖緊刀座螺絲、彈性墊片
- B. 粗搪孔刀座、鎖緊刀片螺絲
- C. 調整螺帽、雙向螺絲
- D. 粗搪孔刀本體、中心冷卻劑出口
- E. 搪孔刀柄

H•BIT Adjustable Twin Cutter Roughing and Semi-Finishing Boring System.

Components

- A. Cutting Insert Holder Mounting Bolt
and Spring Washer
- B. Cutting Insert Holder and Insert
Clamping Bolt
- C. Adjusting Nut and Setting Bolt
- D. Body and Coolant Outlet
- E. Taper Shank

H•BOR 極細微調精搪孔刀

功能

微調尺寸刻劃環，每一格 $\text{\O}0.002\text{mm}$ 極為精細的尺寸分割，配合被切削材質選適用的精密級刀片與預設平衡的迴轉切削，使精搪孔孔徑更為精確。

參考刻劃環，每一格 $\text{\O}0.10\text{mm}$ 為目視參考，當轉動微調尺寸刻劃環分割尺寸極細時，相對帶動參考刻劃環，位移精搪孔刀徑尺寸。齒型滑座外部刻劃線，每一格 $\text{\O}2\text{mm}$ 。

高速切削精搪孔平衡系統”P系列”，組合搪孔刀柄與極細微調精搪孔刀本體，在中心軸線，預設 $\text{G}2.5$ 12000rpm 動平衡，高速旋轉搪孔，依然保持動平衡，使搪孔更精確穩定。

- 在H•BOR25P極細微調精搪孔刀本體中的內孔 $\text{\O}6$ ，可組合CA、CB系列小徑鎢鋼刀桿，使搪孔孔徑範圍為 $\text{\O}2\sim\text{\O}7$ ， $\text{\O}5\sim\text{\O}7$ 為替換式刀片鎢鋼刀桿。
- 在H•BOR32P和H•BOR40P極細微調精搪孔刀本體中的內孔 $\text{\O}8$ ，可組合CA、CB系列小徑鎢鋼刀桿，使搪孔孔徑範圍為 $\text{\O}2\sim\text{\O}9$ ， $\text{\O}7\sim\text{\O}11$ 為替換式刀片鎢鋼刀桿。
- 在H•BOR50P極細微調精搪孔刀本體中的內孔 $\text{\O}16$ ，可組合CM、CR、BRM系列，可使搪孔孔徑範圍為 $\text{\O}5\sim\text{\O}90$ 。
- 在H•BOR63P極細微調精搪孔刀本體中的內孔 $\text{\O}16$ ，可組合CM、CR、BRM系列，可使搪孔孔徑範圍為 $\text{\O}5\sim\text{\O}150$ 。
- 在H•BOR50和H•BOR63極細微調精搪孔刀本體中的內孔 $\text{\O}16$ ，組合BR系列小徑精搪孔刀桿，使搪孔孔徑範圍為 $\text{\O}6\sim\text{\O}90$ 、 $\text{\O}6\sim\text{\O}150$ ，更為完整搪孔範圍組合。

在搪外徑系統，主要利用H•BOR63極細微調精搪孔刀本體，組合BM16D滑座，並組合各種SRTP(精搪)刀座，”反轉”切削搪外徑，範圍為 $0\sim\text{\O}100$ 。

極細微調反搪精搪孔刀，視切削孔徑大小、深淺組合，以反向進給做搪孔或切削背部端面。



H • BOR Micro-Finishing Cutter Fine Boring System.

Function

The boring head consists of a boring dial adjuster and a reference dial, wherein each scale of the boring dial adjuster is equivalent to 2 μ m or 0.002mm. Each marking scale of the reference dial is equal to ϕ 100 μ m or 0.10mm.

High speed boring cutting balance system, P series, it has dynamic balance in G2.5 and 12000rpm.

It will increase boring dimension and in high speed cutting it still have dynamic balance.

The inside diameter of H•BOR25P micro-finishing cutter fine boring system is ϕ 6mm. With the combination of CA and CB series, the diameter of H•BOR25P can now be within the range of ϕ 2~ ϕ 7 and ϕ 5~ ϕ 7 respectively.

The inside diameter of H•BOR32P and H•BOR40P micro-finishing cutter fine boring system is ϕ 8mm. With the combination of CA and CB series, the diameter of H•BOR32P and H•BOR40P can now be within the range of ϕ 2~ ϕ 9 and ϕ 7~ ϕ 11 respectively.

The inside diameter of H•BOR50P and H•BOR63P micro finish boring system is ϕ 16mm. With the combination of CM, CR and BRM series, the diameter of H•BOR50P and H•BOR63P can now be within the range of ϕ 5~ ϕ 90 and ϕ 5~ ϕ 150 respectively.

The inside diameter of H•BOR50 and H•BOR63 micro finish boring system is ϕ 16mm. With the combination of BR series, the diameter of HBOR50 and HBOR63 can now be within the range of ϕ 6~ ϕ 90 and ϕ 6~ ϕ 150 respectively.

Outer diameter boring system, use H•BOR63, BM16D and any kinds of SRTP cutting insert holder then reverse cutting external boring, the boring range 0~ ϕ 100.

Micro-finishing cutter for reverse fine boring system should be assembled well depends on boring diameter and depth, then boring or machining back end with reverse feeding.





H • BOR

極細微調精搪孔刀

特色

極細微調精搪孔刀，具有齒形滑座，嵌入方形滑軌，組合齒形精搪孔刀座可任意位移精搪孔刀座，極為穩定牢固。

齒形滑座，在齒形方向，可以前進也可以後退調整，配合迴轉平衡需求，可使齒形滑座先後退，再組合可位移精搪孔刀座至搪孔刀徑尺寸，為校正迴轉平衡最佳方法。

H • BOR Micro-Finishing Cutter Fine Boring System.

Feature

Micro-finishing cutter fine boring system is a "gear-mat type" slide and is inserted into the square track. This feature enables the boring system to be firmly and tightly locked.

The "gear-mat type" sliding feature of the micro finish boring system allows the system to be adjusted forward and backward to match its desired balance position. Thus, keeping the system firm and stable.



H•BOR 極細微調精搪孔刀

零件

- A. 鎖緊刀座螺絲
- B. 精搪孔刀座、鎖緊刀片螺絲
- C. 微調尺寸刻劃環，每一格0.001mm直徑
ø0.002mm
- D. 參考刻劃環，每一格0.05mm直徑ø0.1mm
- E. 刻劃線，每一格1mm直徑ø2mm
- F. 精搪孔刀本體、中心冷卻劑出口
- G. 搪孔刀柄



H•BOR Micro-Finishing Cutter Fine Boring System.

Components

- A. Cutting Insert Holder Mounting Bolt
- B. Cutting Insert Holder and Insert Clamping Bolt
- C. Adjust the Graduation of the size, 0.001mm of each, diameter ø0.002mm
- D. Vice-graduation, 0.05mm of each, diameter ø0.1mm
- E. Substandard, 1mm of each, diameter ø2mm
- F. Body and Coolant Outlet
- G. Taper Shank



MAS403 BT

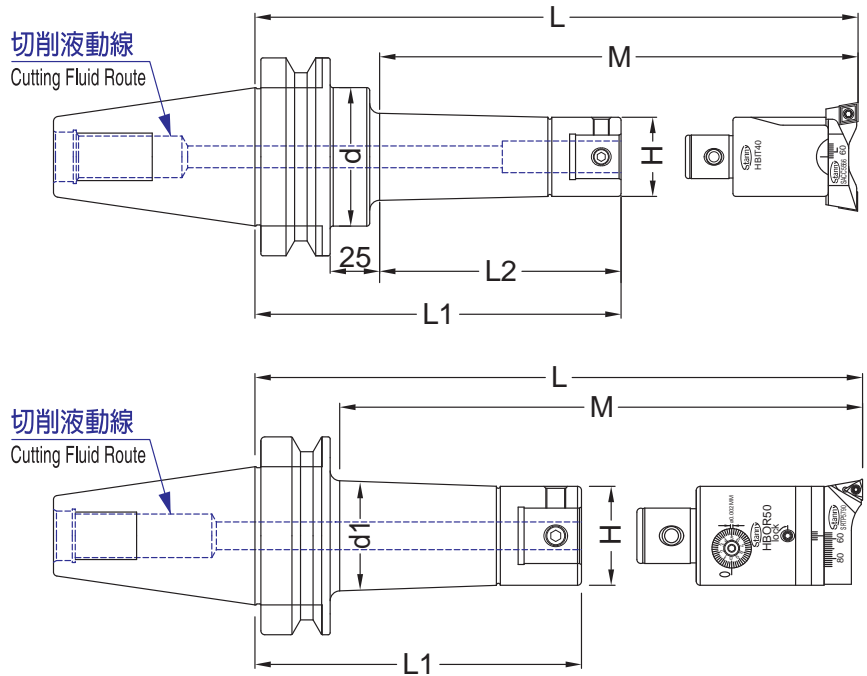
搪孔刀柄 Taper Shank for Boring System



MAS403 BT 搪孔刀柄 MAS403 BT Taper Shank

訂貨編號 Order No.	規格 Model	H	d	d1	L	L1	L2	M	淨重 N.W.
40251303	BT30-H25-35	25	-	25	85	35	9	60	0.40
40251305	BT30-H25-55	25	-	25	105	55	29	75	0.49
40321303	BT30-H32-35	32	-	32	98	35	9	75	0.45
40321305	BT30-H32-55	32	-	32	118	55	31.5	93	0.54
40401303	BT30-H40-35	40	-	40	98	35	14	75	0.45
40401305	BT30-H40-55	40	-	40	118	55	32	93	0.63
40501304	BT30-H50-45	50	-	50	125	45	23	93	0.57
40631306	BT30-H63-65	63	-	63	145	65	43	93	0.91

訂貨編號 Order No.	規格 Model	H	d	d1	L	L1	L2	M	淨重 N.W.
40251404	BT40-H25-40	25	-	25	90	40	8	60	1.00
40251407	BT40-H25-72	25	-	29	122	72	42.5	90	1.12
40251410	BT40-H25-100	25	-	29	150	100	71	123	1.24
40251412	BT40-H25-127	25	-	29	177	127	98	145	1.38
40321404	BT40-H32-40	32	-	32	103	40	8	75	1.00
40321407	BT40-H32-72	32	-	36	135	72	41	102	1.20
40321412	BT40-H32-120	32	-	36	183	120	89	150	1.55
40321413	BT40-H32-135	32	-	36	198	135	104	165	1.66
40401404	BT40-H40-40	40	-	40	103	40	11	73	1.05
40401407	BT40-H40-72	40	-	44	135	72	42	102	1.31
40401413	BT40-H40-130	40	-	44	193	130	99	162	1.95
40401418	BT40-H40-185	40	-	44	248	185	154	212	2.52
40501405	BT40-H50-50	50	-	50	130	50	22	102	1.15
40501409	BT40-H50-90	50	-	56	170	90	60.5	142	1.72
40501413	BT40-H50-130	50	-	56	210	130	100.5	182	2.20
40501417	BT40-H50-170	50	-	56	250	170	140.5	222	3.07
40631405	BT40-H63-55	63	-	63	135	55	28	102	1.24
40631410	BT40-H63-105	63	-	63	185	105	78	152	2.45
40631415	BT40-H63-155	63	-	63	235	155	128	202	3.54



MAS403 BT 搪孔刀柄
MAS403 BT Taper Shank

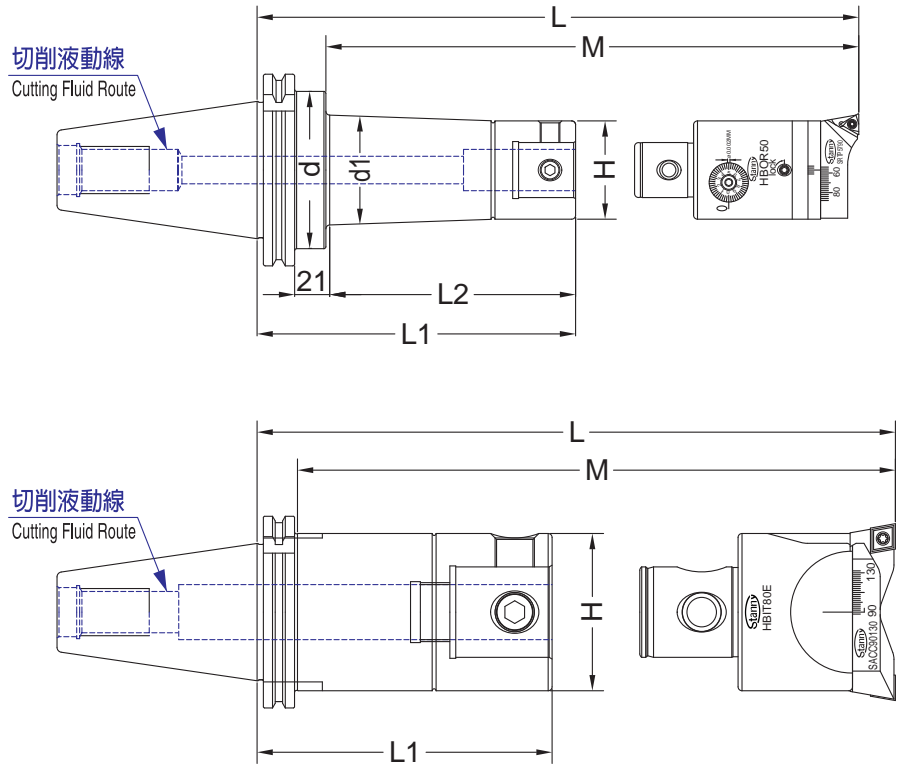
訂貨編號 Order No.	規格 Model	H	d	d1	L	L1	L2	M	淨重 N.W.
40251511	BT50-H25-115	25	50	29	165	115	52	102	4.15
40251514	BT50-H25-140	25	50	29	190	140	77	127	4.30
40251516	BT50-H25-165	25	50	29	215	165	102	152	4.40
40321513	BT50-H32-135	32	63	36	198	135	72	135	4.55
40321516	BT50-H32-165	32	63	36	228	165	102	165	4.80
40321520	BT50-H32-200	32	63	36	263	200	137	200	5.00
40401513	BT50-H40-135	40	70	44	198	135	72	135	4.90
40401518	BT50-H40-185	40	70	44	248	185	122	185	5.45
40401522	BT50-H40-225	40	70	44	288	225	162	225	5.90
40401526	BT50-H40-265	40	70	44	328	265	202	265	6.30
40501506	BT50-H50-65	50	-	50	145	65	22	102	3.80
40501516	BT50-H50-165	50	-	56	245	165	122	202	5.35
40501521	BT50-H50-215	50	-	56	295	215	172	252	6.30
40501526	BT50-H50-265	50	-	56	345	265	222	302	7.20
40631506	BT50-H63-65	63	-	63	145	65	22	102	3.80
40631508	BT50-H63-85	63	-	63	165	85	42	122	4.30
40631516	BT50-H63-165	63	-	70	245	165	122	202	6.20
40631521	BT50-H63-215	63	-	70	295	215	172	252	7.75
40631526	BT50-H63-265	63	-	70	345	265	222	302	8.70
40631531-8	BT50-H63-315 ϕ 80	63	-	80	395	315	272	352	10.90
40631531-9	BT50-H63-315 ϕ 90	63	-	90	395	315	273	352	11.95
40801507	BT50-H80-70	80	-	80	150	70	27	102	4.00
40801511	BT50-H80-115	80	-	80	195	115	72	152	5.55
40801516	BT50-H80-165	80	-	80	245	165	122	202	7.25
40801521	BT50-H80-215	80	-	80	295	215	172	252	9.00
40801526	BT50-H80-265	80	-	80	345	265	222	302	10.75
40801531	BT50-H80-315	80	-	80	395	315	272	352	12.45
41001510	BT50-H100-100	100	-	100	200	100	62	-	5.95
41001515	BT50-H100-150	100	-	100	250	150	112	-	8.60
41001520	BT50-H100-200	100	-	100	300	200	162	-	11.55
41001525	BT50-H100-250	100	-	100	350	250	212	-	14.50



DIN69871A 搪孔刀柄
DIN69871A Taper Shank

訂貨編號 Order No.	規格 Model	H	d	d1	L	L1	L2	M	淨重 N.W.
40252303	ISO30-H25-30	25	-	25	80	30	9	60	0.39
40322303	ISO30-H32-35	32	-	32	98	35	14	75	0.42
40402303	ISO30-H40-35	40	-	40	98	35	14	75	0.44
40502305	ISO30-H50-55	50	-	50	135	55	35	112	0.67

訂貨編號 Order No.	規格 Model	H	d	d1	L	L1	L2	M	淨重 N.W.
40252403	ISO40-H25-30	25	-	25	80	30	10	60	0.83
40252406	ISO40-H25-65	25	-	28	115	65	41	90	0.96
40252410	ISO40-H25-100	25	-	29	150	100	79	125	1.15
40322403	ISO40-H32-35	32	-	32	98	35	15	75	0.86
40322406	ISO40-H32-65	32	-	35	128	65	42	102	1.05
40322408	ISO40-H32-84	32	-	36	147	84	61	123	1.15
40322511	ISO40-H32-115	32	-	36	178	115	92	152	1.40
40402403	ISO40-H40-35	40	-	40	98	35	15	75	0.88
40402406	ISO40-H40-65	40	-	43	128	65	43	102	1.17
40402410	ISO40-H40-104	40	-	44	167	104	82	143	1.50
40402416	ISO40-H40-165	40	-	44	228	165	143	202	2.12
40502405	ISO40-H50-50	50	-	50	130	50	30	102	1.08
40502410	ISO40-H50-104	50	-	50	184	104	84	163	1.81
40502415	ISO40-H50-150	50	-	50	230	150	130	202	2.47
40632406	ISO40-H63-60	63	-	63	140	60	40	115	1.23
40632411	ISO40-H63-110	63	-	63	190	110	90	165	2.32

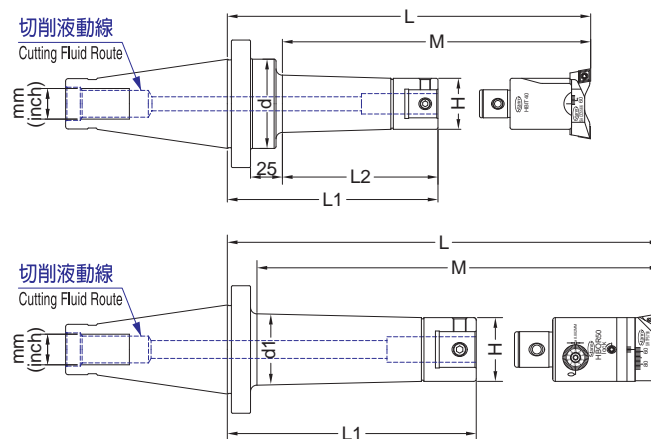
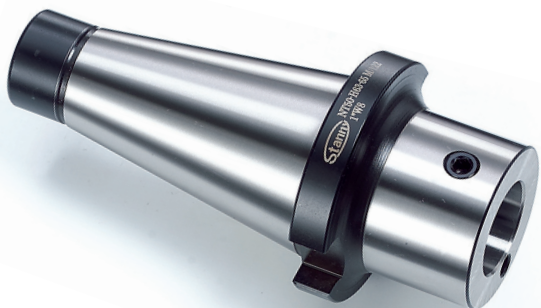


DIN69871A 搪孔刀柄
DIN69871A Taper Shank

訂貨編號 Order No.	規格 Model	H	d	d1	L	L1	L2	M	淨重 N.W.
40252509	ISO50-H25-92	25	80	29	142	92	52	102	3.45
40252511	ISO50-H25-117	25	80	29	167	117	77	127	3.55
40252514	ISO50-H25-142	25	80	29	192	142	102	152	3.65
40322511	ISO50-H32-112	32	80	36	175	112	72	135	3.65
40322514	ISO50-H32-144	32	80	36	207	144	104	165	3.90
40322517	ISO50-H32-176	32	80	36	239	176	136	200	4.10
40402511	ISO50-H40-112	40	80	44	175	112	72	135	3.85
40402516	ISO50-H40-162	40	80	44	225	162	122	185	4.40
40402520	ISO50-H40-202	40	80	44	265	202	162	225	4.85
40402524	ISO50-H40-242	40	80	44	305	242	202	265	5.30
40502505	ISO50-H50-50	50	80	50	130	50	18	98	3.35
40502516	ISO50-H50-162	50	80	56	242	162	125	202	3.15
40502521	ISO50-H50-212	50	80	56	292	212	175	252	5.80
40502526	ISO50-H50-262	50	80	56	342	262	225	302	6.60
40632506	ISO50-H63-65	63	80	63	145	65	28	108	3.50
40632516	ISO50-H63-162	63	80	70	242	162	125	202	5.70
40632521	ISO50-H63-212	63	80	70	292	212	175	252	6.95
40632526	ISO50-H63-262	63	80	70	342	262	225	302	8.15
40802507	ISO50-H80-70	80	80	-	150	70	50	125	3.70
40802510	ISO50-H80-100	80	80	-	180	100	80	152	4.72
40802515	ISO50-H80-150	80	80	-	230	150	130	202	6.44
40802520	ISO50-H80-200	80	80	-	280	200	180	252	8.16
40802525	ISO50-H80-250	80	80	-	330	250	230	302	9.88
40802530	ISO50-H80-300	80	80	-	380	300	280	352	11.60
41002510	ISO50-H100-100	100	-	100	200	105	85	-	6.20
41002515	ISO50-H100-150	100	-	100	250	150	130	-	8.50
41002520	ISO50-H100-200	100	-	100	300	200	180	-	11.35
41002525	ISO50-H100-250	100	-	100	350	250	230	-	14.30

DIN2080(NT)

搪孔刀柄 Taper Shank for Boring System



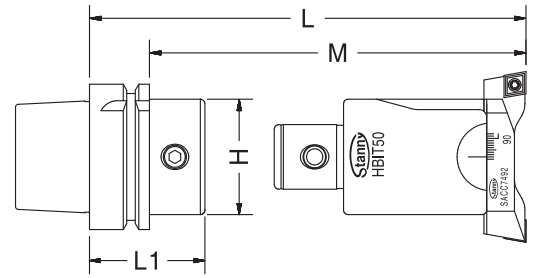
DIN2080 (mm) 搪孔刀柄
DIN2080 (mm) Taper Shank

訂貨編號 Order No.	規格 Model	H	d	d1	L	L1	L2	M	淨重 N.W.
40250304M	ISO30-H25-40	25	-	25	90	40	22	72	0.40
40320304M	ISO30-H32-40	32	-	32	103	40	27	90	0.45
40400304M	ISO30-H40-40	40	-	40	103	40	30	90	0.55
40500305M	ISO30-H50-50	50	-	50	130	50	42	120	0.75
40630306M	ISO30-H63-60	63	-	63	140	60	52	130	1.13
40250406M	ISO40-H25-60	25	-	29	122	60	45	95	0.95
40320406M	ISO40-H32-60	32	-	37	135	60	42	102	1.03
40400406M	ISO40-H40-60	40	-	44	135	60	43	102	1.14
40500403M	ISO40-H50-35	50	-	50	115	35	22	102	0.93
40630405M	ISO40-H63-55	63	-	63	140	55	42	102	1.40
40250511M	ISO50-H25-115	25	50	29	165	115	72	122	3.40
40320513M	ISO50-H32-135	32	63	36	198	135	92	155	3.90
40400516M	ISO50-H40-165	40	70	45	248	165	122	185	4.60
40500505M	ISO50-H50-50	50	-	50	130	50	27	102	3.20
40500520M	ISO50-H50-200	50	-	56	280	200	172	252	5.50
40630506M	ISO50-H63-65	63	-	63	145	65	37	122	3.50
40630524M	ISO50-H63-245	63	-	70	325	245	222	302	7.90
40800507M	ISO50-H80-70	80	-	80	150	70	47	125	3.90
40800521M	ISO50-H80-215	80	-	80	295	215	192	272	8.90
41000510M	ISO50-H100-100	100	-	100	200	100	80	-	6.20
41000520M	ISO50-H100-200	100	-	100	300	200	180	-	11.90

DIN2080 (inch) 搪孔刀柄
DIN2080 (inch) Taper Shank

訂貨編號 Order No.	規格 Model	H	d	d1	L	L1	L2	M	淨重 N.W.
40250304I	ISO30-H25-40	25	-	25	90	40	22	72	0.40
40320304I	ISO30-H32-40	32	-	32	103	40	27	90	0.45
40400304I	ISO30-H40-40	40	-	40	103	40	30	90	0.55
40500305I	ISO30-H50-50	50	-	50	130	50	42	120	0.75
40630306I	ISO30-H63-60	63	-	63	140	60	52	130	1.13
40250406I	ISO40-H25-60	25	-	29	122	60	45	95	0.95
40320406I	ISO40-H32-60	32	-	37	135	60	42	102	1.03
40400406I	ISO40-H40-60	40	-	44	135	60	43	102	1.14
40500403I	ISO40-H50-35	50	-	50	115	35	22	102	0.93
40630405I	ISO40-H63-55	63	-	63	140	55	42	102	1.40
40250511I	ISO50-H25-115	25	50	29	165	115	72	122	3.40
40320513I	ISO50-H32-135	32	63	36	198	135	92	155	3.90
40400516I	ISO50-H40-165	40	70	45	248	165	122	185	4.60
40500505I	ISO50-H50-50	50	-	50	130	50	27	102	3.20
40500520I	ISO50-H50-200	50	-	56	280	200	172	252	5.50
40630506I	ISO50-H63-65	63	-	63	145	65	37	122	3.50
40630524I	ISO50-H63-245	63	-	70	325	245	222	302	7.90
40800507I	ISO50-H80-70	80	-	80	150	70	47	125	3.90
40800521I	ISO50-H80-215	80	-	80	295	215	192	272	8.90
41000510I	ISO50-H100-100	100	-	100	200	100	80	-	6.20
41000520I	ISO50-H100-200	100	-	100	300	200	180	-	11.90

DIN69893A、ANSI、直柄、R8搪孔刀柄
DIN69893A, ANSI, Straight Shank, R8 Taper Shank for Boring System

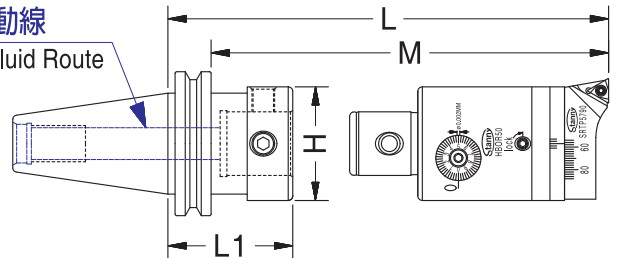


DIN69893A 搪孔刀柄
DIN69893A Shank

訂貨編號 Order No.	規格 Model	H	L	L1	M	淨重 N.W.
40254604	HSK63-H25-40	25	90	40	60	0.66
40324604	HSK63-H32-40	32	103	40	75	0.67
40404604	HSK63-H40-45	40	108	45	80	0.74
40504605	HSK63-H50-50	50	130	50	102	0.85
40634606	HSK63-H63-67	63	147	67	102	1.16
40634907	HSK100-H63-75	63	155	75	122	2.78
40804908	HSK100-H80-80	100	160	80	130	3.30
41004911	HSK100-H100-115	100	215	115	170	5.60

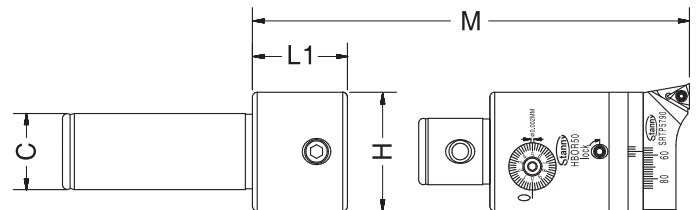


切削液動線
 Cutting Fluid Route



ANSI 搪孔刀柄
ANSI Taper Shank

訂貨編號 Order No.	規格 Model	H	L	L1	M	淨重 N.W.
40253406	CAT40-H25-63	25	113	63	90	0.96
40323406	CAT40-H32-63	32	126	63	102	1.04
40403406	CAT40-H40-63	40	126	63	102	1.14
40503405	CAT40-H50-55	50	135	55	102	1.11
40503505	CAT50-H50-50	50	130	50	102	2.85
40633506	CAT50-H63-65	63	145	65	122	3.25

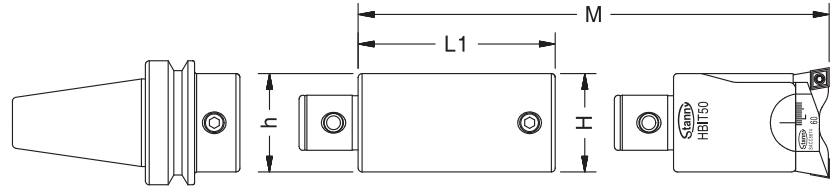


直柄
Straight Shank

訂貨編號 Order No.	規格 Model	C	H	L1	M	淨重 N.W.
40032503	C32-H25-35	32	25	35	85	0.62
40033204	C32-H32-40	32	32	40	102	0.67
40034004	C32-H40-40	32	40	40	102	0.69
40035004	C32-H50-40	32	50	40	120	0.86
40036305	C32-H63-55	32	63	55	135	1.41

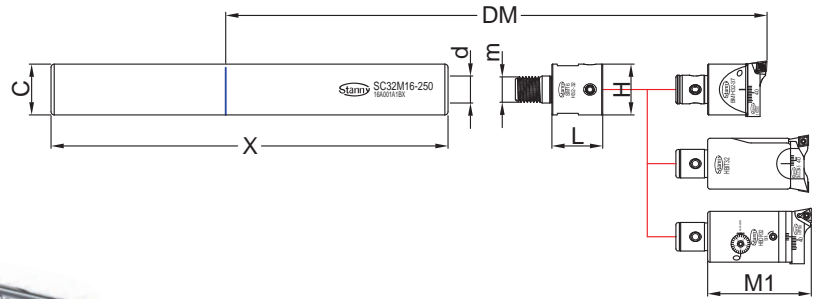
延長接桿、鎢鋼柄、接桿

Extension Spacer, Carbide Shank, Shank for Boring System



延長接桿
Extension Spacer

訂貨編號 Order No.	規格 Model	h	H	L1	M	淨重 N.W.
42252502	h25H25-25	25	25	25	75	0.09
42252505	h25H25-50	25	25	50	100	0.18
42323203	h32H32-32	32	32	32	95	0.18
42323206	h32H32-64	32	32	64	125	0.37
42404004	h40H40-40	40	40	40	102	0.37
42404008	h40H40-80	40	40	80	142	0.92
42505005	h50H50-50	50	50	50	130	0.69
42505010	h50H50-100	50	50	100	180	1.41
42636306	h63H63-63	63	63	63	143	1.40
42636312	h63H63-126	63	63	126	205	2.77
42808008	h80H80-80	80	80	80	160	2.80
42808016	h80H80-160	80	80	160	240	5.60
42101010	h100H100-100	100	100	100	200	5.75
42101020	h100H100-200	100	100	200	300	11.30



鎢鋼柄
Carbide Shank

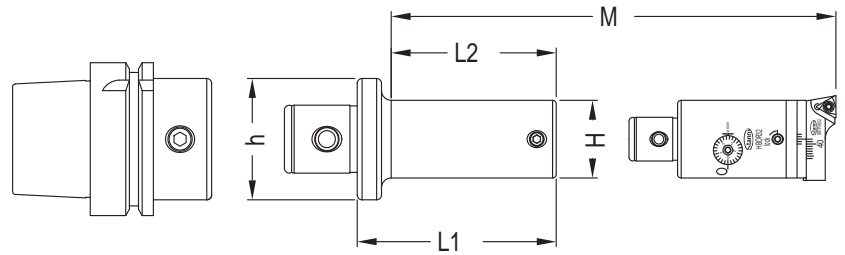
訂貨編號 Order No.	規格 Model	C	X	d	接桿 Shank	淨重 N.W.
45072515	SC25M12-150	25	150	12.5	SM12H25-25	0.93
45072520	SC25M12-200		200			1.26
45072525	SC25M12-250		250			1.58
45072530	SC25M12-300	32	300	17	SM16H32-32	1.91
45073215	SC32M16-150		150			1.50
45073220	SC32M16-200		200			2.05
45073225	SC32M16-250		250			2.59
45073230	SC32M16-300	300	3.15			

接桿
Shank

訂貨編號 Order No.	規格 Model	H	m	L	鎢鋼柄 Carbide Shank	M1			深度 DM	淨重 N.W.
						BMH	HBIT	HBOR		
45081225	SM12H25-25	25	M12	25	SC25M12	30	50	50	175	0.09
45081632	SM16H32-32	32	M16	32	SC32M16	37	63	63	224	0.18

縮徑接桿

Stepped Spacer for Boring System

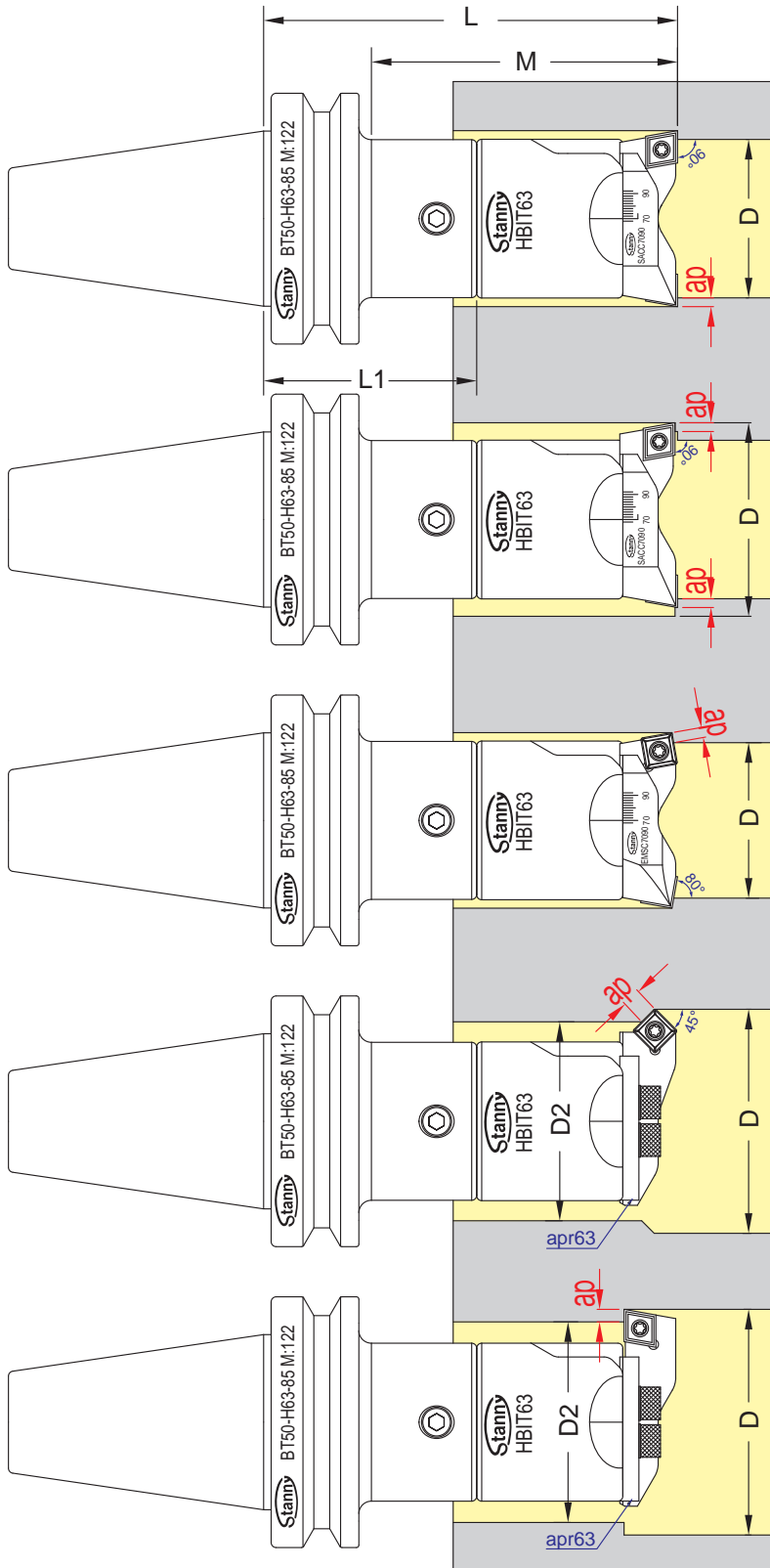


縮徑接桿
Stepped Spacer

訂貨編號 Order No.	規格 Model	h	H	L1	L2	M	淨重 N.W.
43322503	h32H25-25	32	25	32	23	75	0.14
43322505	h32H25-48	32	25	57	48	100	0.22
43402504	h40H25-30	40	25	40	28	75	0.24
43402506	h40H25-50	40	25	65	53	105	0.33
43403204	h40H32-30	40	32	40	28	92	0.28
43403207	h40H32-60	40	32	72	60	123	0.46
43502505	h50H25-35	50	25	50	30	85	0.44
43502507	h50H25-60	50	25	75	55	110	0.53
43503205	h50H32-35	50	32	50	30	98	0.45
43503208	h50H32-67	50	32	82	62	130	0.64
43504005	h50H40-35	50	40	50	33	98	0.55
43504009	h50H40-75	50	40	90	73	138	1.10
43632506	h63H25-40	63	25	63	38	90	0.73
43632509	h63H25-70	63	25	93	68	120	0.84
43632511	h63H25-90	63	25	113	88	140	0.91
43633206	h63H32-40	63	32	63	38	102	0.83
43633210	h63H32-80	63	32	107	82	145	1.08
43633212	h63H32-100	63	32	127	102	165	1.21
43634006	h63H40-40	63	40	63	40	102	0.94
43634011	h63H40-90	63	40	113	90	153	1.64
43634014	h63H40-120	63	40	143	120	183	2.04
43635006	h63H50-40	63	50	63	44	120	1.09
43635012	h63H50-100	63	50	123	104	180	1.95
43635016	h63H50-140	63	50	163	144	220	2.53
43802508	h80H25-50	80	25	80	50	100	1.45
43802511	h80H25-80	80	25	110	80	130	1.60
43802513	h80H25-100	80	25	130	100	150	1.70
43803208	h80H32-50	80	32	80	50	112	1.55
43803212	h80H32-90	80	32	120	90	150	1.85
43803214	h80H32-115	80	32	145	115	175	2.05
43804008	h80H40-50	80	40	80	50	112	1.70
43804013	h80H40-100	80	40	130	100	162	2.20
43804016	h80H40-130	80	40	160	130	190	2.50
43805008	h80H50-50	80	50	80	50	130	1.95
43805015	h80H50-120	80	50	150	120	200	3.10
43805018	h80H50-150	80	50	180	150	230	3.55
43806308	h80H63-60	80	63	80	60	140	2.30
43806316	h80H63-140	80	63	160	140	220	4.05
43806320	h80H63-186	80	63	206	186	265	5.05

雙刃粗搪孔組合系統-搪孔示意圖

Adjustable Twin Cutter Roughing and Semi-Finishing Boring System - Illustration Diagram



雙刃—粗搪

SACC and SACC Cutting Insert Holders

H•BIT-AA

雙刃—段差粗搪

SACC and SBCC Cutting Insert Holders

H•BIT-AB

雙刃—80°粗搪

EMSC and EMSC 80° Cutting Insert Holders

H•BIT-MM

單刃—45°正反倒角

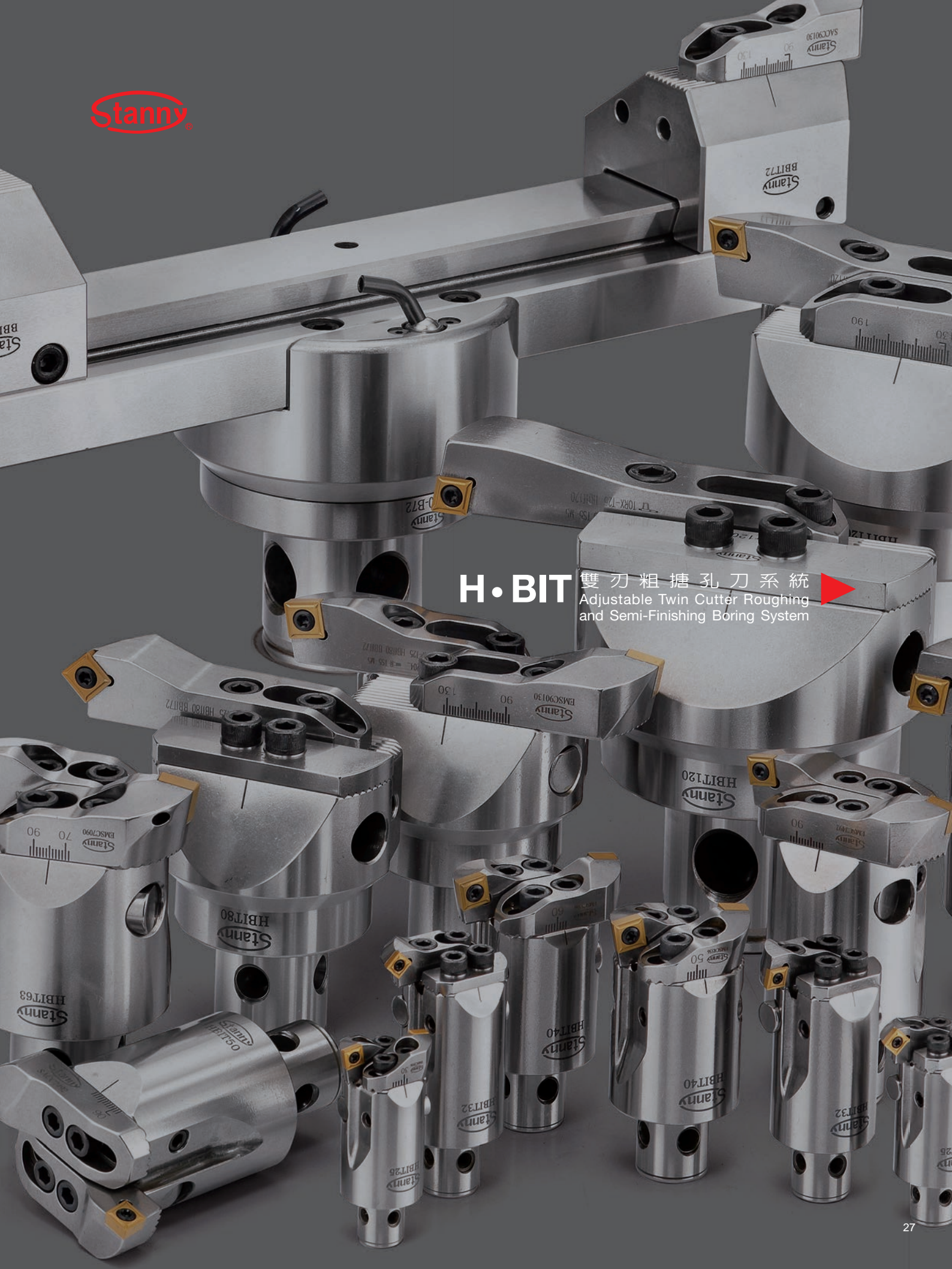
IWSC Positive and Negative 45° Chamfer Cutting Insert Holder and Apron

H•BIT-AW

單刃—反搪孔

RKCC Reverse Cutting Insert Holder and Apron

H•BIT-AK



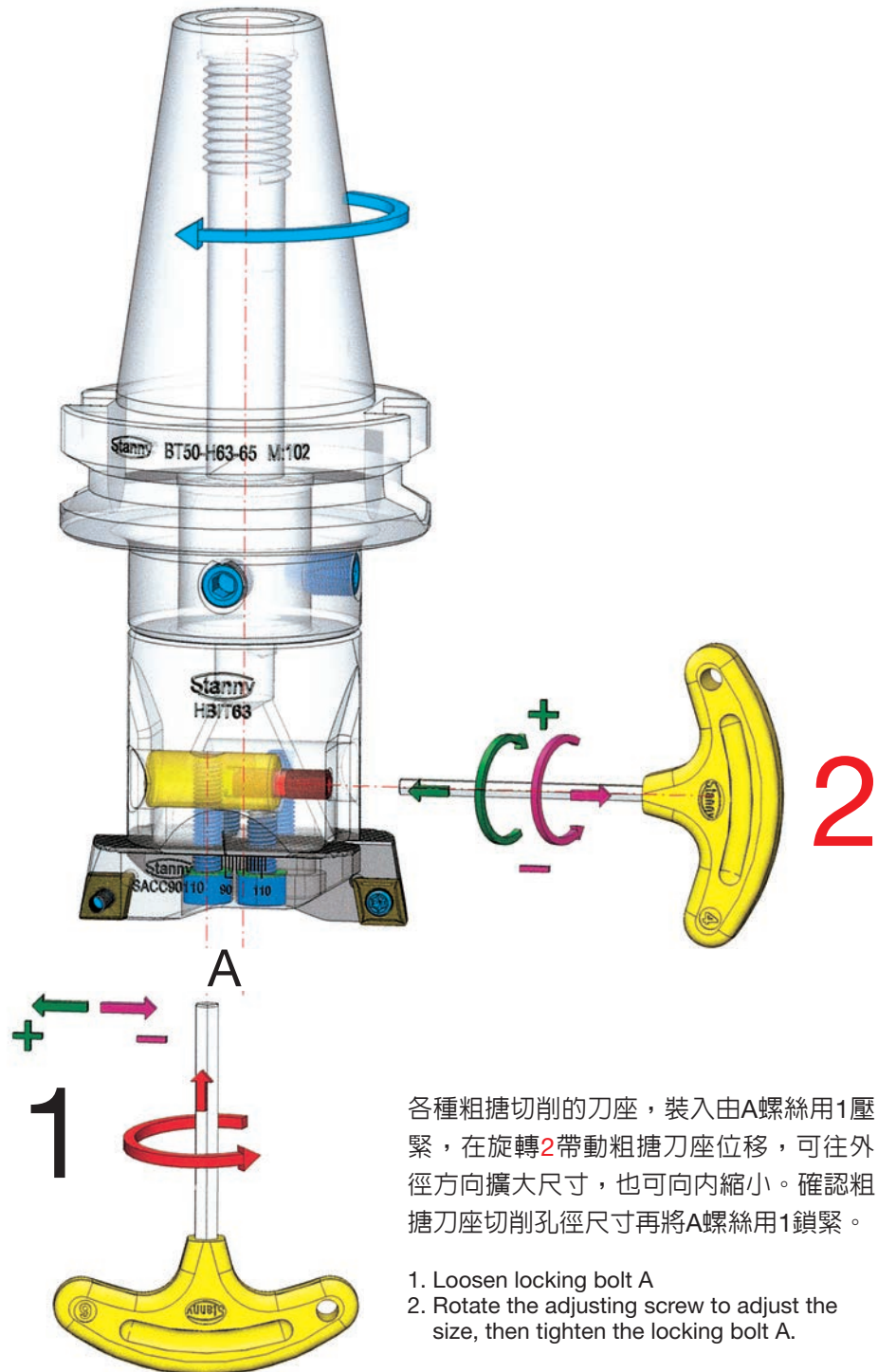
H·BIT 雙刃粗搪孔刀系統
Adjustable Twin Cutter Roughing
and Semi-Finishing Boring System



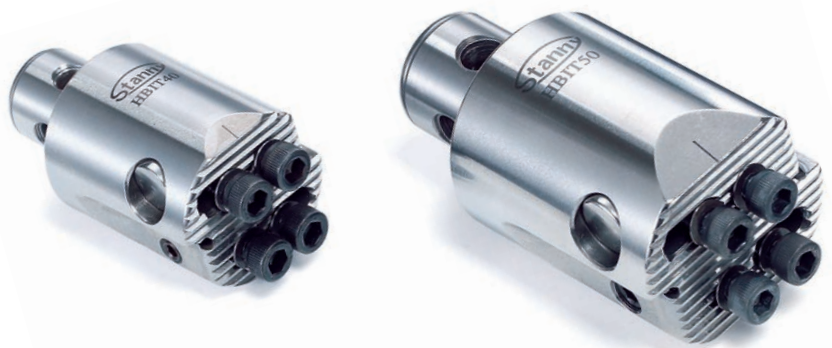
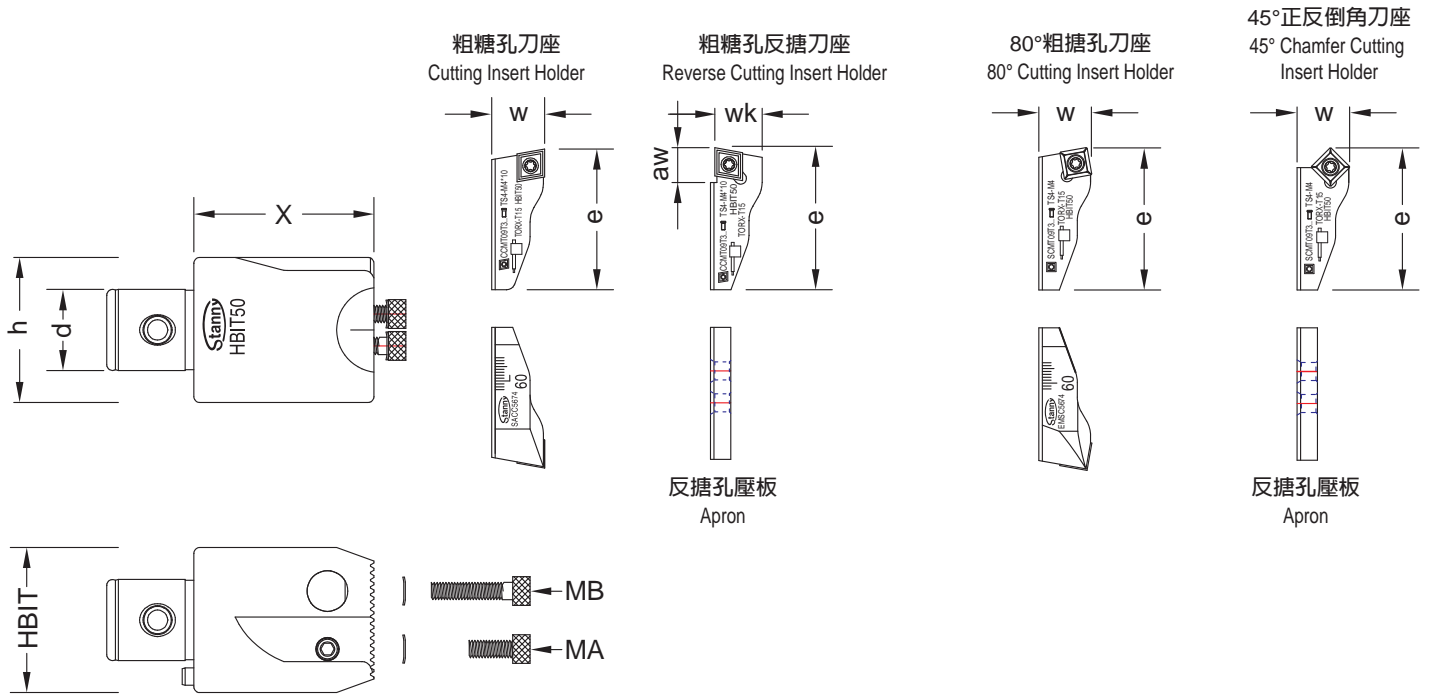


H•BIT 雙刃粗搪孔刀系統

Adjustable Twin Cutter Roughing and Semi-Finishing Boring System



粗搪孔刀本體 Body



H•BIT 雙刃粗搪孔刀-本體
Body for H•BIT Adjustable Twin Cutter Roughing

訂貨編號 Order No.	規格 Model	系統 h	d	X	MA Bolt	MB Bolt	淨重 N.W.
31000025	HBIT25	25	14	40	M4×10	M4×18	0.15
31000032	HBIT32	32	18	50	M5×10	M5×20	0.33
31000040	HBIT40	40	22	48	M6×12	M6×20	0.48
31000050	HBIT50	50	28	62	M6×14	M6×25	0.96
31000063	HBIT63	63	36	58	M8×16	M8×30	1.54
31000080	HBIT80	63	36	58	M8×16	M8×30	1.96
31000080E	HBIT80E	80	46	58	M8×16	M8×30	2.42
31000120	HBIT120	100	56	73	M10×20	M10×40	5.85



粗搪孔刀座 Cutting Insert Holder

80° 粗搪孔刀座 80° Cutting Insert Holder



H•BIT 粗搪孔刀座

Cutting Insert Holder for H•BIT Adjustable Twin Cutter Roughing

訂貨編號 Order No.	較高粗搪孔刀座 Cutting Insert Holder	系統 System	範圍 D Boring Range øDMin-øDMax	W	e	刀片 Insert	搪孔量 ap	螺絲 Bolt	扳手 Wrench	淨重 N.W.
30252936A	SACC2936	HBIT25	29-36	12.1	25.9	CCMT0602..	0.5-1	TS25- M2.5	T8	0.01
30253542A	SACC3542		35-42		30.6		0.02			
30323645A	SACC3645	HBIT32	36-45	16	32	CCMT09T3..	1-3	TS4- M4	T15	0.02
30324453A	SACC4453		44-53		38		0.02			
30404556A	SACC4556	HBIT40	45-56	17.9	40	CCMT1204..	0.5-1	TS5- M5	T25	0.04
30405566A	SACC5566		55-66		46.5		0.05			
30505674A	SACC5674	HBIT50	56-74	23.1	49	CCMT1204..	1-4	TS5- M5	T25	0.06
30507492A	SACC7492		74-92		62		0.09			
30637090A	SACC7090	HBIT63	70-90	27.9	61	CCMT1204..	0.5-1	TS5- M5	T25	0.12
30639011A	SACC90110		90-110		78.5		0.18			
30809013A	SACC90130	HBIT80	90-130	27.9	80.5	CCMT1204..	1-5	TS5- M5	T25	0.17
30813017A	SACC130170	HBIT80E	130-170		100.5		0.23			
30912013A	SACC130190	HBIT120	130-190	27.9	119.5	CCMT1204..	1-5	TS5- M5	T25	0.41
30912017A	SACC170230		170-230		139.5		0.52			

H•BIT 粗搪孔刀座

Cutting Insert Holder for H•BIT Adjustable Twin Cutter Roughing

訂貨編號 Order No.	較低粗搪孔刀座 Cutting Insert Holder	系統 System	範圍 D Boring Range øDMin-øDMax	W	e	刀片 Insert	搪孔量 ap	螺絲 Bolt	扳手 Wrench	淨重 N.W.
30252936B	SBCC2936	HBIT25	29-36	11.8	25.9	CCMT0602..	0.5-1	TS25- M2.5	T8	0.01
30253542B	SBCC3542		35-42		30.6		0.02			
30323645B	SBCC3645	HBIT32	36-45	15.6	32	CCMT09T3..	1-3	TS4- M4	T15	0.02
30324453B	SBCC4453		44-53		38		0.02			
30404556B	SBCC4556	HBIT40	45-56	17.5	40	CCMT1204..	0.5-1	TS5- M5	T25	0.04
30405566B	SBCC5566		55-66		46.5		0.05			
30505674B	SBCC5674	HBIT50	56-74	22.7	49	CCMT1204..	1-4	TS5- M5	T25	0.07
30507492B	SBCC7492		74-92		62		0.09			
30637090B	SBCC7090	HBIT63	70-90	27.5	61	CCMT1204..	0.5-1	TS5- M5	T25	0.13
30639011B	SBCC90110		90-110		78.5		0.18			
30809013B	SBCC90130	HBIT80	90-130	27.5	80.5	CCMT1204..	1-5	TS5- M5	T25	0.18
30813017B	SBCC130170	HBIT80E	130-170		100.5		0.24			
30912013B	SBCC130190	HBIT120	130-190	27.5	119.5	CCMT1204..	1-5	TS5- M5	T25	0.40
30912017B	SBCC170230		170-230		139.5		0.51			

備註：SACC刀座和SBCC刀座差別於(W)。

PS. The difference of SACC Cutting Insert Holder and SBCC Cutting Insert Holder is the height(W).



H•BIT 80°粗搪孔刀座

80° Cutting Insert Holder for H•BIT Adjustable Twin Cutter Roughing

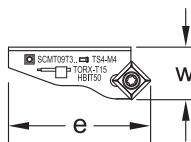
訂貨編號 Order No.	80°粗搪孔刀座 80° Cutting Insert Holder	系統 System	範圍 D Boring Range øDMin-øDMax	W	e	刀片 Insert	搪孔量 ap	螺絲 Bolt	扳手 Wrench	淨重 N.W.
30252936M	EMSC2936	HBIT25	29-36	12.4	25.9	SCET0602..	0.5-1	TS25- M2.5	T8	0.01
30253542M	EMSC3542		35-42		30.6		0.01			
30323645M	EMSC3645	HBIT32	36-45	16	32	SCMT09T3..	1-3	TS4- M4	T15	0.01
30324453M	EMSC4453		44-53		38		0.02			
30404556M	EMSC4556	HBIT40	45-56	18.3	40	SCMT1204..	0.5-1	TS5- M5	T25	0.03
30405566M	EMSC5566		55-66		46.5		0.04			
30505674M	EMSC5674	HBIT50	56-74	23.1	49	SCMT1204..	1-4	TS5- M5	T25	0.06
30507492M	EMSC7492		74-92		62		0.09			
30637090M	EMSC7090	HBIT63	70-90	27.8	61	SCMT1204..	0.5-1	TS5- M5	T25	0.12
30639011M	EMSC90110		90-110		78.5		0.18			
30809013M	EMSC90130	HBIT80	90-130	27.8	80.5	SCMT1204..	1-5	TS5- M5	T25	0.17
30813017M	EMSC130170	HBIT80E	130-170		100.5		0.23			
30912013M	EMSC130190	HBIT120	130-190	27.8	119.5	SCMT1204..	1-5	TS5- M5	T25	0.41
30912017M	EMSC170230		170-230		139.5		0.52			



45° 正反倒角粗搪孔刀座 45° Chamfer Cutting Insert Holder

粗搪孔反搪刀座 Reverse Cutting Insert Holder

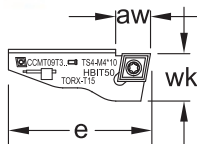
反搪孔壓板 Apron



H•BIT 45°正反倒角粗搪孔刀座

45° Chamfer Cutting Insert Holder for H•BIT Adjustable Single Cutter Roughing

訂貨編號 Order No.	45°正反倒角刀座 45° Chamfer Cutting Insert Holder	系統 System	範圍 D Boring Range øDMin-øDMax	W	e	刀片 Insert	搪孔量 ap	螺絲 Bolt	板手 Wrench	淨重 N.W.
30252936W	IWSC2936	HBIT25	29-36	12.4	25.9	SCET0602..	0.5-1	TS25- M2.5	T8	0.01
30253542W	IWSC3542	HBIT25	35-42		30.6		1-3			0.01
30323645W	IWSC3645	HBIT32	36-45		32		0.01			
30324453W	IWSC4453	HBIT32	44-53	16	38	SCMT09T3..	1-3	TS4- M4	T15	0.02
30404556W	IWSC4556	HBIT40	45-56		40		0.5-1			0.03
30405566W	IWSC5566	HBIT40	55-66		46.5		0.04			
30505674W	IWSC5674	HBIT50	56-74	18.3	49	SCMT1204..	1-4	TS5- M5	T25	0.06
30507492W	IWSC7492	HBIT50	74-92		62		1-5			0.09
30637090W	IWSC7090	HBIT63	70-90		61		0.11			
30639011W	IWSC90110	HBIT63	90-110	23.1	78.5	SCMT1204..	0.5-1	TS5- M5	T25	0.17
30809013W	IWSC90130	HBIT80	90-130		80.5		0.16			
30813017W	IWSC130170	HBIT80E	130-170		100.5		0.22			
30912013W	IWSC130190	HBIT120	130-190	27.8	119.5		1-5			0.39
30912017W	IWSC170230	HBIT120	170-230		139.5					0.50



H•BIT 粗搪孔反搪刀座

Reverse Cutting Insert Holder for H•BIT Adjustable Single Cutter Roughing

訂貨編號 Order No.	粗搪孔反搪刀座 Reverse Cutting Insert Holder	系統 System	範圍 D Boring Range øDMin-øDMax	壓板 Apron	aw	wk	e	刀片 Insert	搪孔量 ap	螺絲 Bolt	板手 Wrench	淨重 N.W.
30252936K	RKCC2936	HBIT25	29-36	apr25	4	11	25	CCMT0602..	0.5-1 1-3	TS25- M2.5	T8	0.01
30253542K	RKCC3542	HBIT25	35-42	7	11	30	0.02					
30323645K	RKCC3645	HBIT32	36-45	5	11	32	0.02					
30324453K	RKCC4453	HBIT32	44-53	apr32	9	11	38	CCMT09T3..	0.5-1 1-4	TS4- M4	T15	0.02
30404556K	RKCC4556	HBIT40	45-56	apr40	9	15	40					0.04
30405566K	RKCC5566	HBIT40	55-66	apr40	10	15	46.5					0.05
30505674K	RKCC5674	HBIT50	56-74	apr50	11	17	48.5	CCMT1204..	0.5-1 1-5	TS5- M5	T25	0.07
30507492K	RKCC7492	HBIT50	74-92	apr50	17	17	62					0.09
30637090K	RKCC7090	HBIT63	70-90	apr63	12	22	60					0.13
30639011K	RKCC90110	HBIT63	90-110	apr63	22	22	78	CCMT1204..	0.5-1 1-5	TS5- M5	T25	0.18
30809013K	RKCC90130	HBIT80	90-130	apr80	24	22	79.5					0.18
30813017K	RKCC130170	HBIT80E	130-170	apr80	44	22	99.5					0.25
30912013K	RKCC130190	HBIT120	130-190	apr120	34	27	119.5					0.40
30912017K	RKCC170230	HBIT120	170-230	apr120	54	27	139.5					0.50

H•BIT反搪孔壓板

Apron for H•BIT Adjustable Single Cutter Roughing

訂貨編號 Order No.	規格 Model	系統 System	淨重 N.W.
30002525	apr25	HBIT25	0.01
30003232	apr32	HBIT32	0.01
30004040	apr40	HBIT40	0.02
30005050	apr50	HBIT50	0.04
30006363	apr63	HBIT63	0.07
30008080	apr80	HBIT80 HBIT80E	0.09
30012012	apr120	HBIT120	0.24

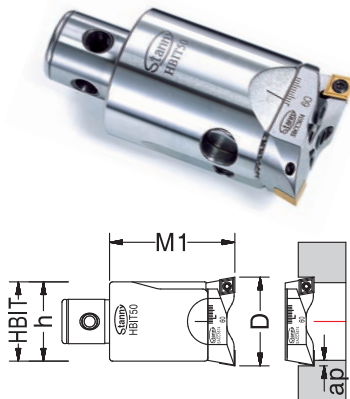


粗搪孔刀本體、粗搪孔刀座 Body and Cutting Insert Holder

粗搪孔刀本體、80°粗搪孔刀座 Body and 80° Cutting Insert Holder

等高粗搪頭系統組合(雙刃等高切削相同直徑)

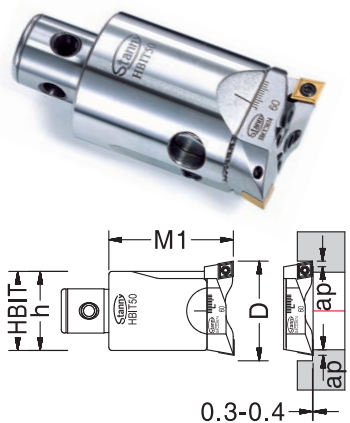
SACC and SACC Cutting Insert Holders have the same Cutting Diameter and Height.



訂貨編號 Order No.	規格 Model	範圍 D Boring Range øDMin-øDMax	M1	h	粗搪孔刀本體 Boring Head	粗搪孔刀座 Cutting Insert Holder	淨重 N.W.	
32290000AA	HBIT25 AA	29-36	50	25	HBIT25	SACC2936	SACC2936	0.17
32350000AA	HBIT25 AA	35-42		SACC3542		SACC3542	0.19	
33360000AA	HBIT32 AA	36-45	63	32	HBIT32	SACC3645	SACC3645	0.37
33440000AA	HBIT32 AA	44-53		SACC4453		SACC4453	0.37	
34450000AA	HBIT40 AA	45-56	40	40	HBIT40	SACC4556	SACC4556	0.56
34550000AA	HBIT40 AA	55-66				SACC5566	SACC5566	0.58
35560000AA	HBIT50 AA	56-74	50	50	HBIT50	SACC5674	SACC5674	1.10
35740000AA	HBIT50 AA	74-92				SACC7492	SACC7492	1.14
36700000AA	HBIT63 AA	70-90	63	63	HBIT63	SACC7090	SACC7090	1.78
36900000AA	HBIT63 AA	90-110				SACC90110	SACC90110	1.90
38900000AA	HBIT80 AA	90-130	80	80	HBIT80	SACC90130	SACC90130	2.30
38910000AA	HBIT80 AA	130-170				SACC130170	SACC130170	2.44
38900000EAA	HBIT80E AA	90-130	80	80	HBIT80E	SACC90130	SACC90130	2.76
38910000EAA	HBIT80E AA	130-170				SACC130170	SACC130170	2.90
39130000AA	HBIT120 AA	130-190	100	100	HBIT120	SACC130190	SACC130190	6.67
39170000AA	HBIT120 AA	170-230				SACC170230	SACC170230	6.89

不等高粗搪頭系統組合(雙刃不等高切削不同直徑)

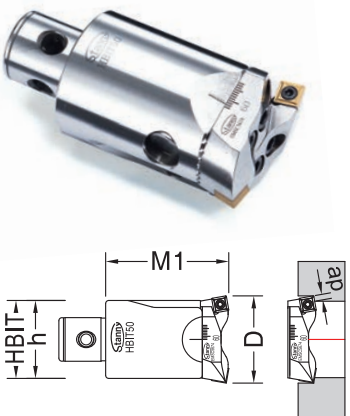
SACC and SBCC Cutting Insert Holders have different Cutting Diameter and Height.



訂貨編號 Order No.	規格 Model	範圍 D Boring Range øDMin-øDMax	M1	h	粗搪孔刀本體 Boring Head	粗搪孔刀座 Cutting Insert Holder	淨重 N.W.	
32290000AB	HBIT25 AB	29-36	50	25	HBIT25	SACC2936	SBCC2936	0.17
32350000AB	HBIT25 AB	35-42		SACC3542		SBCC3542	0.19	
33360000AB	HBIT32 AB	36-45	63	32	HBIT32	SACC3645	SBCC3645	0.37
33440000AB	HBIT32 AB	44-53		SACC4453		SBCC4453	0.37	
34450000AB	HBIT40 AB	45-56	40	40	HBIT40	SACC4556	SBCC4556	0.56
34550000AB	HBIT40 AB	55-66				SACC5566	SBCC5566	0.58
35560000AB	HBIT50 AB	56-74	50	50	HBIT50	SACC5674	SBCC5674	1.10
35740000AB	HBIT50 AB	74-92				SACC7492	SBCC7492	1.14
36700000AB	HBIT63 AB	70-90	63	63	HBIT63	SACC7090	SBCC7090	1.78
36900000AB	HBIT63 AB	90-110				SACC90110	SBCC90110	1.90
38900000AB	HBIT80 AB	90-130	80	80	HBIT80	SACC90130	SBCC90130	2.30
38910000AB	HBIT80 AB	130-170				SACC130170	SBCC130170	2.44
38900000EAB	HBIT80E AB	90-130	80	80	HBIT80E	SACC90130	SBCC90130	2.76
38910000EAB	HBIT80E AB	130-170				SACC130170	SBCC130170	2.90
39130000AB	HBIT120 AB	130-190	100	100	HBIT120	SACC130190	SBCC130190	6.66
39170000AB	HBIT120 AB	170-230				SACC170230	SBCC170230	6.88

80°等高粗搪頭系統組合(雙刃等高切削相同直徑)

EMSC and EMSC 80° Cutting Insert Holders have the same Cutting Diameter and Height.



訂貨編號 Order No.	規格 Model	範圍 D Boring Range øDMin-øDMax	M1	h	粗搪孔刀本體 Boring Head	80° 粗搪孔刀座 80° Cutting Insert Holder	淨重 N.W.	
32290000MM	HBIT25 MM	29-36	50	25	HBIT25	EMSC2936	EMSC2936	0.17
32350000MM	HBIT25 MM	35-42		EMSC3542		EMSC3542	0.17	
33360000MM	HBIT32 MM	36-45	63	32	HBIT32	EMSC3645	EMSC3645	0.35
33440000MM	HBIT32 MM	44-53		EMSC4453		EMSC4453	0.37	
34450000MM	HBIT40 MM	45-56	40	40	HBIT40	EMSC4556	EMSC4556	0.54
34550000MM	HBIT40 MM	55-66				EMSC5566	EMSC5566	0.56
35560000MM	HBIT50 MM	56-74	50	50	HBIT50	EMSC5674	EMSC5674	1.08
35740000MM	HBIT50 MM	74-92				EMSC7492	EMSC7492	1.14
36700000MM	HBIT63 MM	70-90	63	63	HBIT63	EMSC7090	EMSC7090	1.78
36900000MM	HBIT63 MM	90-110				EMSC90110	EMSC90110	1.90
38900000MM	HBIT80 MM	90-130	80	80	HBIT80	EMSC90130	EMSC90130	2.30
38910000MM	HBIT80 MM	130-170				EMSC130170	EMSC130170	2.42
38900000EMM	HBIT80E MM	90-130	80	80	HBIT80E	EMSC90130	EMSC90130	2.76
38910000EMM	HBIT80E MM	130-170				EMSC130170	EMSC130170	2.88
39130000MM	HBIT120 MM	130-190	100	100	HBIT120	EMSC130190	EMSC130190	6.67
39170000MM	HBIT120 MM	170-230				EMSC170230	EMSC170230	6.89

粗搪孔刀本體、45°正反倒角粗搪孔刀座 Body and 45° Chamfer Cutting Insert Holder

粗搪孔刀本體、粗搪孔反搪刀座 Body and Reverse Cutting Insert Holder

45°正反倒角粗搪頭系統組合

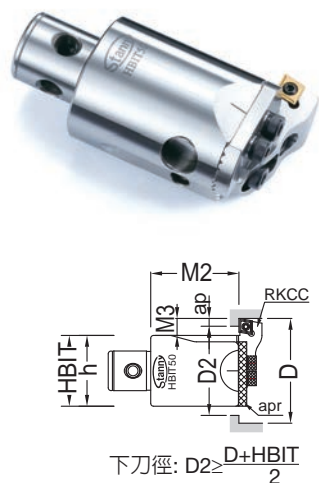
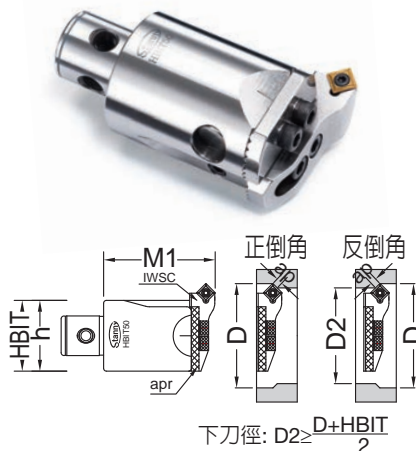
Body and 45° Chamfer Cutting Insert Holder

訂貨編號 Order No.	規格 Model	範圍 D Boring Range øDMin-øDMax	M1	h	粗搪孔刀本體 Boring Head	45°正反倒角刀座 45° Chamfer Cutting Insert Holder	壓板 Apron	淨重 N.W.
32290000AW	HBIT25 AW	29-36	50	25	HBIT25	IWSC2936	apr25	0.17
32350000AW	HBIT25 AW	35-42				IWSC3542		
33360000AW	HBIT32 AW	36-45	63	32	HBIT32	IWSC3645	apr32	0.35
33440000AW	HBIT32 AW	44-53				IWSC4453		
34450000AW	HBIT40 AW	45-56				IWSC4556		
34550000AW	HBIT40 AW	55-66				IWSC5566		
35560000AW	HBIT50 AW	56-74	50	50	HBIT50	IWSC5674	apr50	1.06
35740000AW	HBIT50 AW	74-92				IWSC7492		
36700000AW	HBIT63 AW	70-90	80	63	HBIT63	IWSC7090	apr63	1.72
36900000AW	HBIT63 AW	90-110				IWSC90110		
38900000AW	HBIT80 AW	90-130				IWSC90130		
38910000AW	HBIT80 AW	130-170				IWSC130170		
38900000EAW	HBIT80E AW	90-130	80	80	HBIT80E	IWSC90130	apr80	2.67
38910000EAW	HBIT80E AW	130-170				IWSC130170		
39130000AW	HBIT120 AW	130-190	100	100	HBIT120	IWSC130190	apr120	6.48
39170000AW	HBIT120 AW	170-230				IWSC170230		

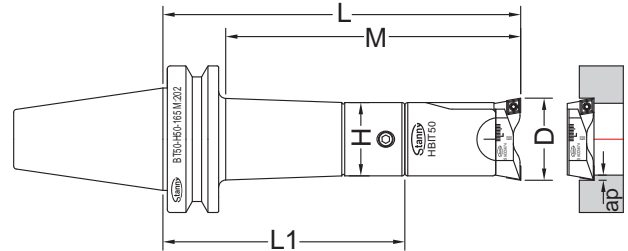
粗搪反搪孔頭系統組合

Body and Reverse Cutting Insert Holder

訂貨編號 Order No.	規格 Model	範圍 D Boring Range øDMin-øDMax	M3	M2	h	粗搪孔刀本體 Boring Head	粗搪孔反搪刀座 Reverse Cutting Insert Holder	壓板 Apron	淨重 N.W.
32290000AK	HBIT25 AK	29-36	1-4	40	25	HBIT25	RKCC2936	apr25	0.17
32350000AK	HBIT25 AK	35-42	4-7				RKCC3542		
33360000AK	HBIT32 AK	36-45	1-5	50	32	HBIT32	RKCC3645	apr32	0.36
33440000AK	HBIT32 AK	44-53	5-9				RKCC4453		
34450000AK	HBIT40 AK	45-56	1-5				RKCC4556		
34550000AK	HBIT40 AK	55-66	6-12				RKCC5566		
35560000AK	HBIT50 AK	56-74	2-11	62	50	HBIT50	RKCC5674	apr50	1.07
35740000AK	HBIT50 AK	74-92	11-17				RKCC7492		
36700000AK	HBIT63 AK	70-90	2-12	58	63	HBIT63	RKCC7090	apr63	1.74
36900000AK	HBIT63 AK	90-110	12-22				RKCC90110		
38900000AK	HBIT80 AK	90-130	4-24				RKCC90130		
38910000AK	HBIT80 AK	130-170	24-44				RKCC130170		
38900000EAK	HBIT80E AK	90-130	4-24	80	80	HBIT80E	RKCC90130	apr80	2.69
38910000EAK	HBIT80E AK	130-170	24-44				RKCC130170		
39130000AK	HBIT120 AK	130-190	4-34	73	100	HBIT120	RKCC130190	apr120	6.49
39170000AK	HBIT120 AK	170-230	24-54				RKCC170230		



搪孔刀柄、粗搪孔刀本體、粗搪孔刀座 Taper Shank, Body and Cutting Insert Holder



整支 SET

MAS403 BT-H•BIT 雙刃粗搪孔刀(AA type)

MAS403 BT and H•BIT Adjustable Twin Cutter Boring Head (AA type)

訂貨編號 Order No.	規格 Model	範圍 D Boring Range øDMin-øDMax	M	L	粗搪孔系統組合 Adjustable Twin Cutter Boring System			淨重 N.W.	
					搪孔刀柄 Taper Shank	粗搪孔刀本體 Boring Head	粗搪孔刀座 Cutting Insert Holder		
32291406AA	BT40-HBIT25-60	AA 29-36	60	90	BT40-H25-40	HBIT25	SACC2936	SACC2936	1.17
32291409AA	BT40-HBIT25-90	AA 29-36	90	122	BT40-H25-72				1.29
32291412AA	BT40-HBIT25-123	AA 29-36	123	150	BT40-H25-100				1.41
32291414AA	BT40-HBIT25-145	AA 29-36	145	177	BT40-H25-127				1.55
32351406AA	BT40-HBIT25-60	AA 35-42	60	90	BT40-H25-40				1.19
32351409AA	BT40-HBIT25-90	AA 35-42	90	122	BT40-H25-72				1.31
32351412AA	BT40-HBIT25-123	AA 35-42	123	150	BT40-H25-100	1.43			
32351414AA	BT40-HBIT25-145	AA 35-42	145	177	BT40-H25-127	1.57			
33361407AA	BT40-HBIT32-75	AA 36-45	75	103	BT40-H32-40	HBIT32	SACC3645	SACC3645	1.37
33361410AA	BT40-HBIT32-102	AA 36-45	102	135	BT40-H32-72				1.57
33361415AA	BT40-HBIT32-150	AA 36-45	150	183	BT40-H32-120				1.92
33361416AA	BT40-HBIT32-165	AA 36-45	165	198	BT40-H32-135				2.03
33441407AA	BT40-HBIT32-75	AA 44-53	75	103	BT40-H32-40				1.37
33441410AA	BT40-HBIT32-102	AA 44-53	102	135	BT40-H32-72				1.57
33441415AA	BT40-HBIT32-150	AA 44-53	150	183	BT40-H32-120	1.92			
33441416AA	BT40-HBIT32-165	AA 44-53	165	198	BT40-H32-135	2.03			
34451407AA	BT40-HBIT40-73	AA 45-56	73	103	BT40-H40-40	HBIT40	SACC4556	SACC4556	1.61
34451410AA	BT40-HBIT40-102	AA 45-56	102	135	BT40-H40-72				1.87
34451416AA	BT40-HBIT40-162	AA 45-56	162	193	BT40-H40-130				2.51
34451421AA	BT40-HBIT40-212	AA 45-56	212	248	BT40-H40-185				3.08
34551407AA	BT40-HBIT40-73	AA 55-66	73	103	BT40-H40-40				1.63
34551410AA	BT40-HBIT40-102	AA 55-66	102	135	BT40-H40-72				1.89
34551416AA	BT40-HBIT40-162	AA 55-66	162	193	BT40-H40-130	2.53			
34551421AA	BT40-HBIT40-212	AA 55-66	212	248	BT40-H40-185	3.10			
35561410AA	BT40-HBIT50-102	AA 56-74	102	130	BT40-H50-50	HBIT50	SACC5674	SACC5674	2.25
35561414AA	BT40-HBIT50-142	AA 56-74	142	170	BT40-H50-90				2.82
35561418AA	BT40-HBIT50-182	AA 56-74	182	210	BT40-H50-130				3.30
35561422AA	BT40-HBIT50-222	AA 56-74	222	250	BT40-H50-170				4.17
35741410AA	BT40-HBIT50-102	AA 74-92	102	130	BT40-H50-50				2.29
35741414AA	BT40-HBIT50-142	AA 74-92	142	170	BT40-H50-90				2.86
35741418AA	BT40-HBIT50-182	AA 74-92	182	210	BT40-H50-130	3.34			
35741422AA	BT40-HBIT50-222	AA 74-92	222	250	BT40-H50-170	4.21			
36701410AA	BT40-HBIT63-102	AA 70-90	102	135	BT40-H63-55	HBIT63	SACC7090	SACC7090	3.02
36701415AA	BT40-HBIT63-152	AA 70-90	152	185	BT40-H63-105				4.23
36701420AA	BT40-HBIT63-202	AA 70-90	202	235	BT40-H63-155				5.32
36901410AA	BT40-HBIT63-102	AA 90-110	102	135	BT40-H63-55				3.14
36901415AA	BT40-HBIT63-152	AA 90-110	152	185	BT40-H63-105				4.35
36901420AA	BT40-HBIT63-202	AA 90-110	202	235	BT40-H63-155				5.54
38901410AA	BT40-HBIT80-102	AA 90-130	102	135	BT40-H63-55	HBIT80	SACC90130	SACC90130	3.54
38901415AA	BT40-HBIT80-152	AA 90-130	152	185	BT40-H63-105				4.75
38901420AA	BT40-HBIT80-202	AA 90-130	202	235	BT40-H63-155				5.84
38911410AA	BT40-HBIT80-102	AA 130-170	102	135	BT40-H63-55				3.68
38911415AA	BT40-HBIT80-152	AA 130-170	152	185	BT40-H63-105				4.89
38911420AA	BT40-HBIT80-202	AA 130-170	202	235	BT40-H63-155				5.98

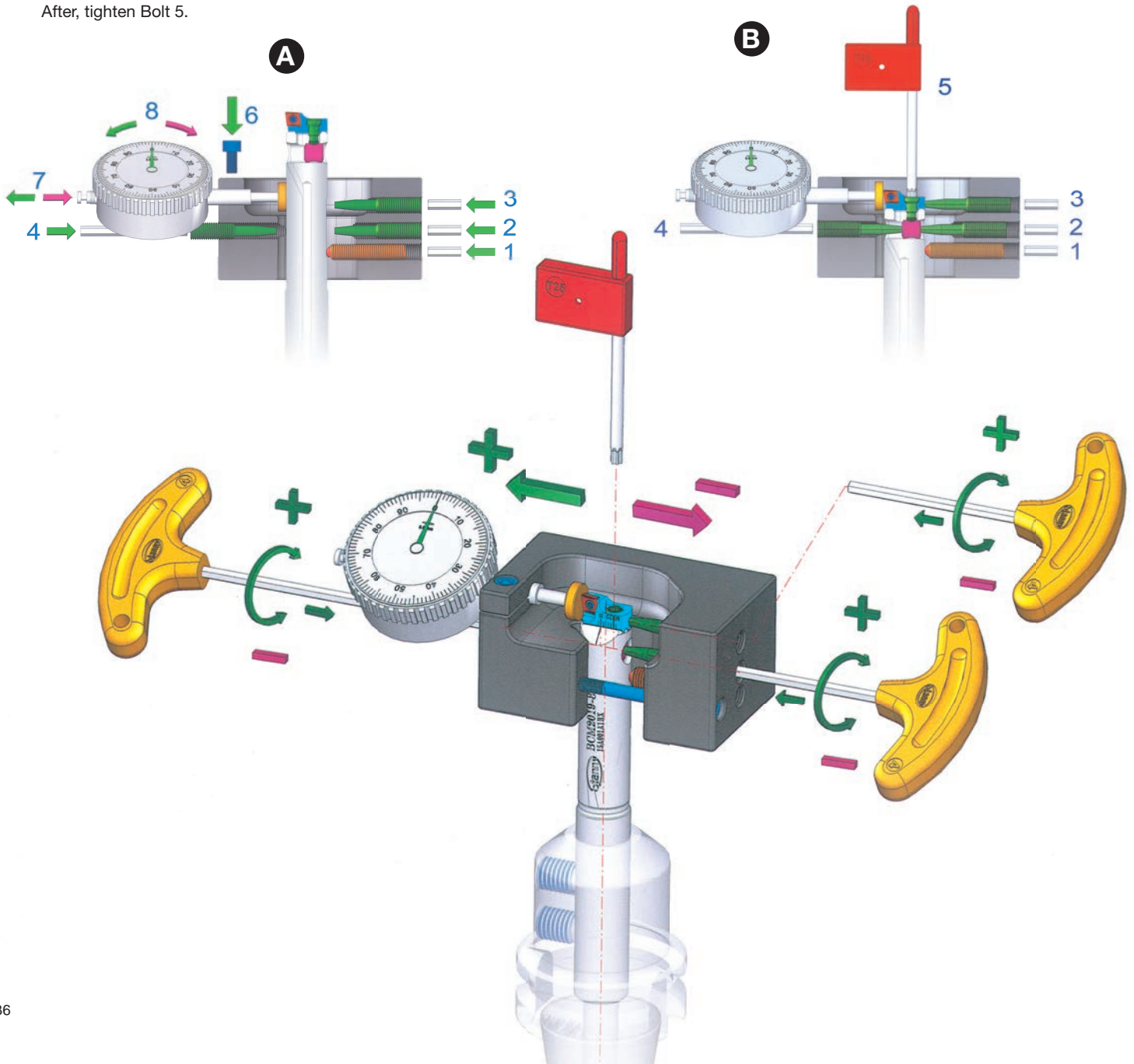
訂貨編號 Order No.	規 格 Model	範 圍 D Boring Range øDMin-øDMax	M	L	粗搪孔系統組合 Adjustable Twin Cutter Boring System				淨 重 N.W.
					搪孔刀柄 Taper Shank	粗搪孔刀本體 Boring Head	粗搪孔刀座 Cutting Insert Holder		
32291510AA	BT50-HBIT25-102	AA 29-36	102	165	BT50-H25-115	HBIT25	SACC2936	SACC2936	4.32
32291512AA	BT50-HBIT25-127	AA 29-36	127	190	BT50-H25-140				
32291515AA	BT50-HBIT25-152	AA 29-36	152	215	BT50-H25-165				
32351510AA	BT50-HBIT25-102	AA 35-42	102	165	BT50-H25-115				
32351512AA	BT50-HBIT25-127	AA 35-42	127	190	BT50-H25-140				
32351515AA	BT50-HBIT25-152	AA 35-42	152	215	BT50-H25-165				
33361513AA	BT50-HBIT32-135	AA 36-45	135	198	BT50-H32-135	HBIT32	SACC3645	SACC3645	4.92
33361516AA	BT50-HBIT32-165	AA 36-45	165	228	BT50-H32-165				
33361520AA	BT50-HBIT32-200	AA 36-45	200	263	BT50-H32-200				
33441513AA	BT50-HBIT32-135	AA 44-53	135	198	BT50-H32-135				
33441516AA	BT50-HBIT32-165	AA 44-53	165	228	BT50-H32-165				
33441520AA	BT50-HBIT32-200	AA 44-53	200	263	BT50-H32-200				
34451513AA	BT50-HBIT40-135	AA 45-56	135	198	BT50-H40-135	HBIT40	SACC4556	SACC4556	5.46
34451518AA	BT50-HBIT40-185	AA 45-56	185	248	BT50-H40-185				
34451522AA	BT50-HBIT40-225	AA 45-56	225	288	BT50-H40-225				
34451526AA	BT50-HBIT40-265	AA 45-56	265	328	BT50-H40-265				
34551513AA	BT50-HBIT40-135	AA 55-66	135	198	BT50-H40-135				
34551518AA	BT50-HBIT40-185	AA 55-66	185	248	BT50-H40-185				
34551522AA	BT50-HBIT40-225	AA 55-66	225	288	BT50-H40-225				
34551526AA	BT50-HBIT40-265	AA 55-66	265	328	BT50-H40-265				
35561510AA	BT50-HBIT50-102	AA 56-74	102	145	BT50-H50-65	HBIT50	SACC5674	SACC5674	4.90
35561520AA	BT50-HBIT50-202	AA 56-74	202	245	BT50-H50-165				
35561525AA	BT50-HBIT50-252	AA 56-74	252	295	BT50-H50-215				
35561530AA	BT50-HBIT50-302	AA 56-74	302	345	BT50-H50-265				
35741510AA	BT50-HBIT50-102	AA 74-92	102	145	BT50-H50-65				
35741520AA	BT50-HBIT50-202	AA 74-92	202	245	BT50-H50-165				
35741525AA	BT50-HBIT50-252	AA 74-92	252	295	BT50-H50-215				
35741530AA	BT50-HBIT50-302	AA 74-92	302	345	BT50-H50-265				
36701512AA	BT50-HBIT63-122	AA 70-90	122	165	BT50-H63-85	HBIT63	SACC7090	SACC7090	6.08
36701520AA	BT50-HBIT63-202	AA 70-90	202	245	BT50-H63-165				
36701525AA	BT50-HBIT63-252	AA 70-90	252	295	BT50-H63-215				
36701530AA	BT50-HBIT63-302	AA 70-90	302	345	BT50-H63-265				
36701535AA	BT50-HBIT63-352	AA 70-90	352	395	BT50-H63-315				
36901512AA	BT50-HBIT63-122	AA 90-110	122	165	BT50-H63-85	HBIT63	SACC90110	SACC90110	6.20
36901520AA	BT50-HBIT63-202	AA 90-110	202	245	BT50-H63-165				
36901525AA	BT50-HBIT63-252	AA 90-110	252	295	BT50-H63-215				
36901530AA	BT50-HBIT63-302	AA 90-110	302	345	BT50-H63-265				
36901535AA	BT50-HBIT63-352	AA 90-110	352	395	BT50-H63-315				
38901512AA	BT50-HBIT80-122	AA 90-130	122	165	BT50-H63-85	HBIT80	SACC90130	SACC90130	6.60
38901520AA	BT50-HBIT80-202	AA 90-130	202	245	BT50-H63-165				
38901525AA	BT50-HBIT80-252	AA 90-130	252	295	BT50-H63-215				
38901530AA	BT50-HBIT80-302	AA 90-130	302	345	BT50-H63-265				
38901535AA	BT50-HBIT80-352	AA 90-130	352	395	BT50-H63-315				
38911512AA	BT50-HBIT80-122	AA 130-170	122	165	BT50-H63-85	HBIT80	SACC130170	SACC130170	6.74
38911520AA	BT50-HBIT80-202	AA 130-170	202	245	BT50-H63-165				
38911525AA	BT50-HBIT80-252	AA 130-170	252	295	BT50-H63-215				
38911530AA	BT50-HBIT80-302	AA 130-170	302	345	BT50-H63-265				
38911535AA	BT50-HBIT80-352	AA 130-170	352	395	BT50-H63-315				
38901510EAA	BT50-HBIT80E-102	AA 90-130	102	150	BT50-H80-70	HBIT80E	SACC90130	SACC90130	6.76
38901515EAA	BT50-HBIT80E-152	AA 90-130	152	195	BT50-H80-115				
38901520EAA	BT50-HBIT80E-202	AA 90-130	202	245	BT50-H80-165				
38901525EAA	BT50-HBIT80E-252	AA 90-130	252	295	BT50-H80-215				
38901530EAA	BT50-HBIT80E-302	AA 90-130	302	345	BT50-H80-265				
38901535EAA	BT50-HBIT80E-352	AA 90-130	352	395	BT50-H80-315				
38911510EAA	BT50-HBIT80E-102	AA 130-170	102	150	BT50-H80-70	HBIT80E	SACC130170	SACC130170	6.88
38911515EAA	BT50-HBIT80E-152	AA 130-170	152	195	BT50-H80-115				
38911520EAA	BT50-HBIT80E-202	AA 130-170	202	245	BT50-H80-165				
38911525EAA	BT50-HBIT80E-252	AA 130-170	252	295	BT50-H80-215				
38911530EAA	BT50-HBIT80E-302	AA 130-170	302	345	BT50-H80-265				
38911535EAA	BT50-HBIT80E-352	AA 130-170	352	395	BT50-H80-315				
39131515AA	BT50-HBIT120-150	AA 130-190	150	200	BT50-H100-100	HBIT120	SACC130190	SACC130190	12.62
39131520AA	BT50-HBIT120-200	AA 130-190	200	250	BT50-H100-150				
39131525AA	BT50-HBIT120-250	AA 130-190	250	300	BT50-H100-200				
39131530AA	BT50-HBIT120-300	AA 130-190	300	350	BT50-H100-250				
39171515AA	BT50-HBIT120-150	AA 170-230	150	200	BT50-H100-100				
39171520AA	BT50-HBIT120-200	AA 170-230	200	250	BT50-H100-150				
39171525AA	BT50-HBIT120-250	AA 170-230	250	300	BT50-H100-200				
39171530AA	BT50-HBIT120-300	AA 170-230	300	350	BT50-H100-250				

1143 高速搪孔刀

High Speed Cutting Bar Fine Boring System

1. 將BCM、BRM、BJM放置於ABM測量器的V槽內(如圖示A)，將1螺絲旋緊固定BCM、BRM、BJM。
2. 指示量錶往BCM、BRM、BJM接觸(圖示7)，固定6螺絲。
3. 旋轉錶面(圖示8)，使指針歸零。
4. 將BCM、BRM、BJM放置於ABM測量器的V槽內(如圖示B)鬆緊1螺絲，可旋轉BCM、BRM、BJM對刀片最大尺寸，在固定1螺絲。
5. 放鬆鎖5螺絲，調整刀座往外調2或3螺絲，向內調4螺絲。
6. 調刀依指示量錶表示尺寸為半徑，半徑乘2為直徑加上對刀直徑則為搪刀徑。確認尺寸在鎖緊5螺絲。

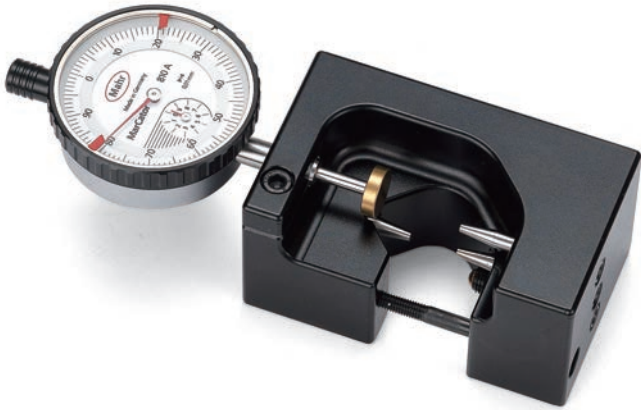
1. BCM, BRM or BJM put into the measure instrument, tighten bolt 1. (Fig. A)
2. Dial Indicator move to BCM, BRM or BJM, tighten bolt 6. (Fig. 7)
3. Indicator make zero. (Fig. 8)
4. BCM, BRM or BJM put into the measure instrument, loosen bolt 1. After adjust tighten bolt 1.(Fig. B)
5. Loosen bolt 5, adjust cutting insert holder. Increase size adjust bolt 2 or bolt 3. Decrease size adjust bolt 4. (Fig 5)
6. The size show in dial indicator is radius.
 $(r \times 2 = D)$ D+BCM, BRM or BJM=Boring Cutting Diameter
 After, tighten Bolt 5.





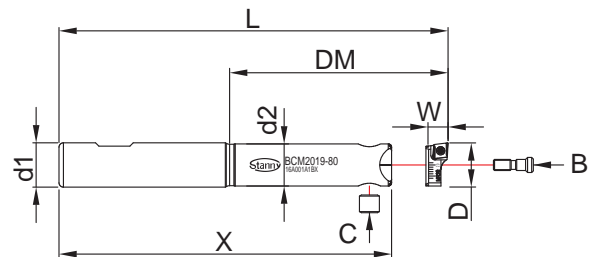
高速搪孔刀
High Speed Cutting Bar Fine Boring System





測量器
Adjustable Measuring

訂貨編號 Order No.	規格 Model	夾持範圍 Diameter Range øDMin~øDMax	測量範圍 Boring Range DMin~øDMax	淨重 N.W.
45900000	ABM1025	10-25	11-43	0.55



接桿
Shank

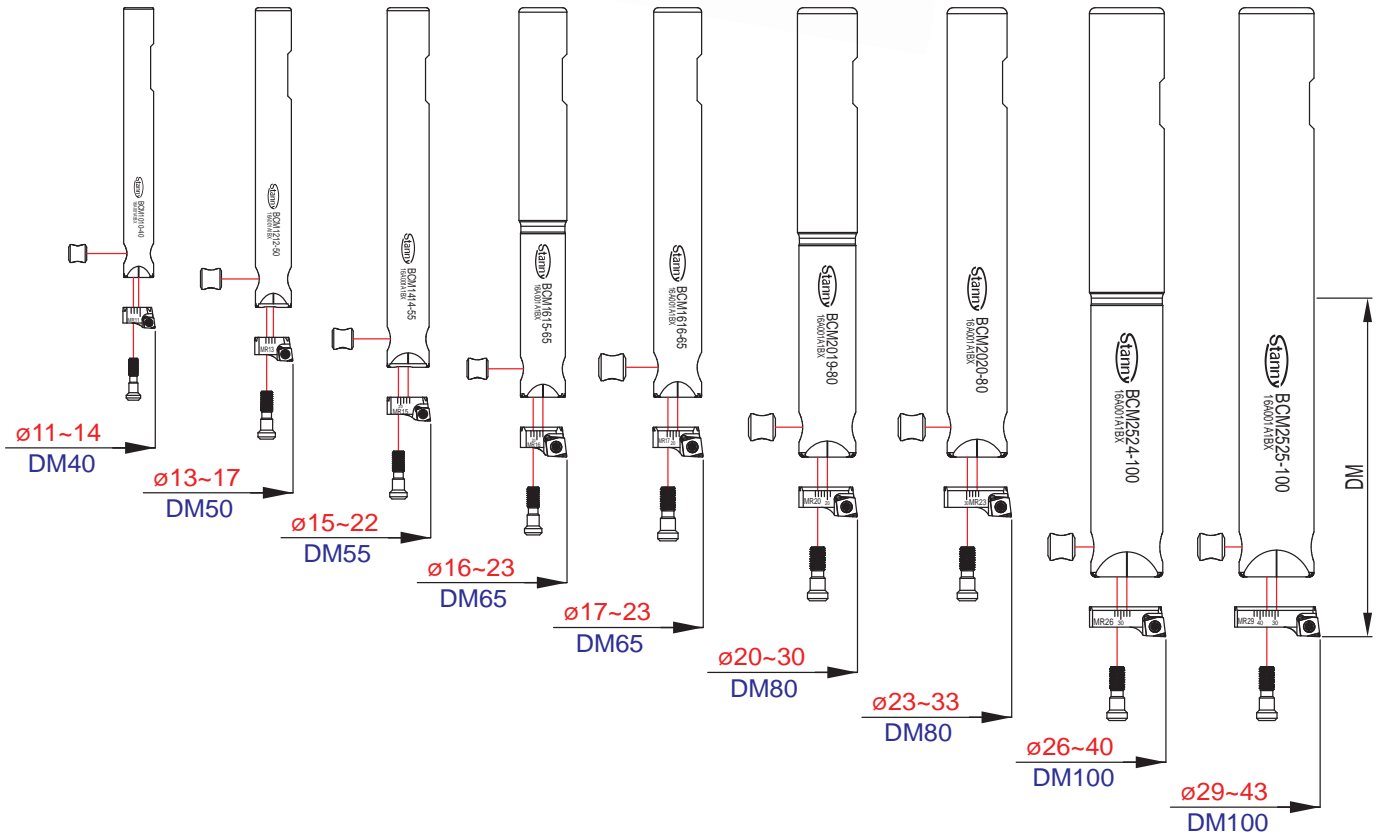
訂貨編號 Order No.	規格 Model	範圍 D Boring Range øDMin~øDMax	DM	d1	d2	L	X	刀座 Insert Holder	C導程螺帽 C-NUT	B螺絲 B-Bolt	板手 Wrench	淨重 N.W.
45901010	BCM1010-40	11-14	40	10	10	96	90	MR/MK 11	NUT6	SLCS-M3	T8	0.050
45901212	BCM1212-50	13-17	50	12	12	107	100	MR/MK 13				0.087
45901414	BCM1414-55	15-22	55	14	14	127	120	MR/MK 15	NUT7	SLCS-M4	T15	0.131
45901615	BCM1615-65	16-23	65	16	15	139	130	MR/MK 16				0.178
45901616	BCM1616-65	17-23	65	16	16	139	130	MR/MK 17				0.184
45902019	BCM2019-80	20-30	80	20	19	159	150	MR/MK 20				0.324
45902020	BCM2020-80	23-33	80	20	20	159	150	MR/MK 23	NUT9	SLCS-M5	T25	0.341
45902524	BCM2524-100	26-40	100	25	24	199	190	MR/MK 26				0.661
45902525	BCM2525-100	29-43	100	25	25	199	190	MR/MK 29				0.668

1143 ABC ABM+BCM+MR 搪孔刀 Semi-Finishing Boring System

整組SET ABC1143 淨重N.W. 7.0 kg



訂貨編號：45901143
Order No. 45901143

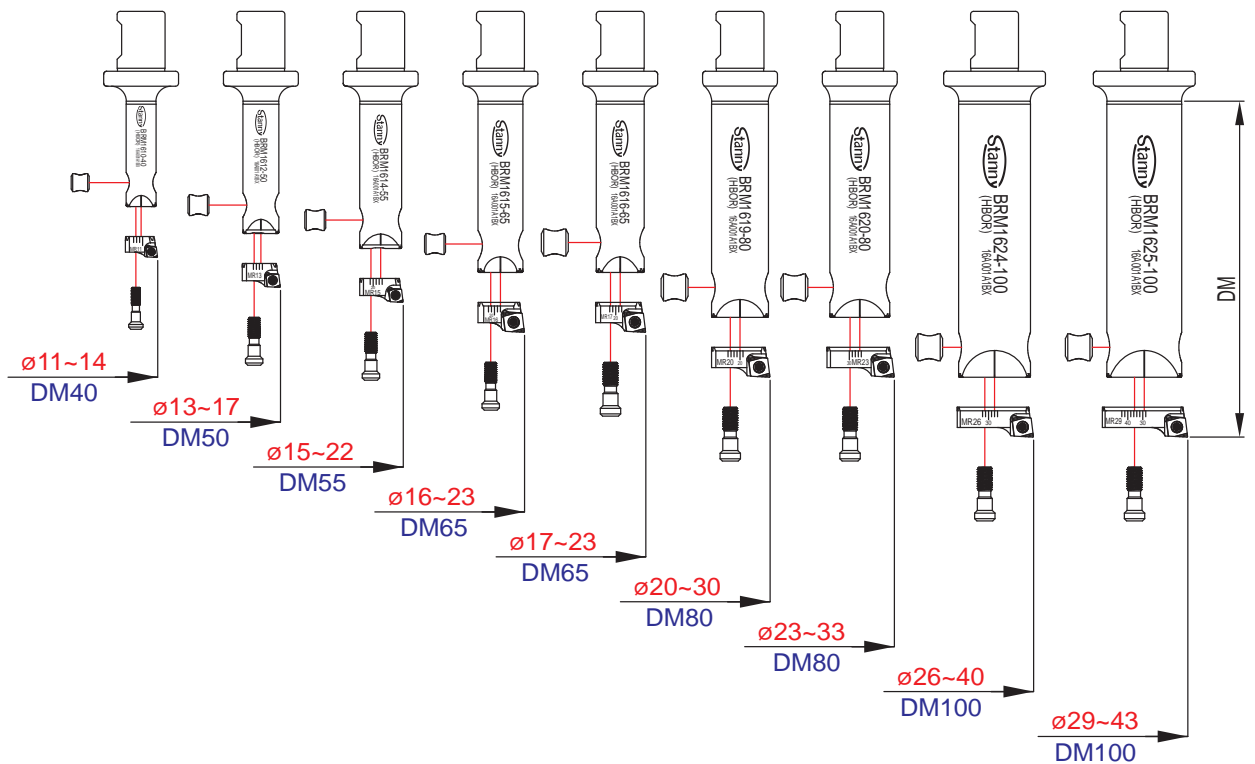


1143 ABR ABM+BRM+MR (HBOR50P, HBOR63P) 高速搪孔刀 High Speed Cutting Bar Fine Boring System

整組SET ABR1143 淨重N.W. 6.3 kg



訂貨編號：50171143
Order No. 50171143



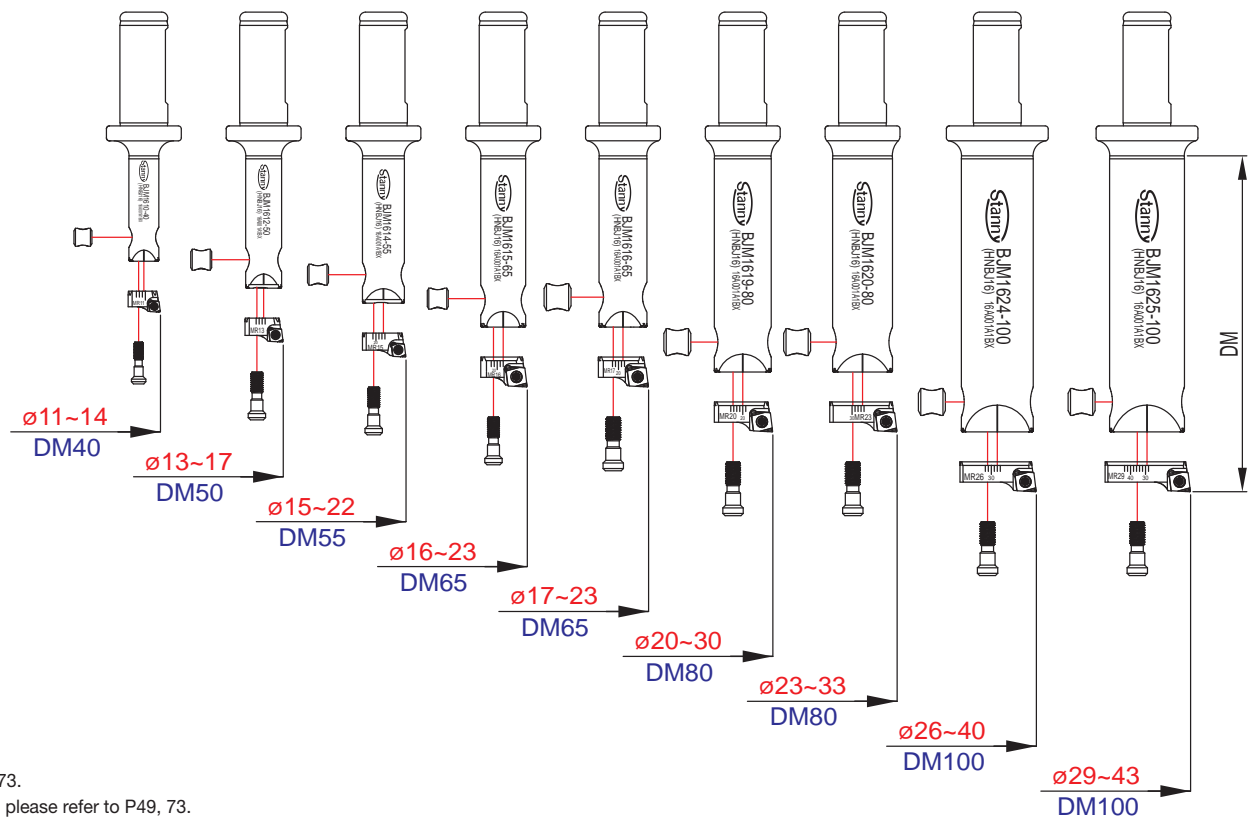
PS. 請參閱 P49, 62, 66.
PS. Specification please refer to P49, 62, 66.

1143

ABJ ABM+BJM+MR (HNBJ16P) 高速搪孔刀 High Speed Cutting Bar Fine Boring System

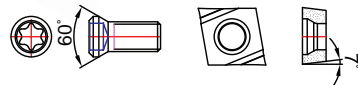
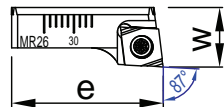
整組SET ABJ1143 淨重N.W. 6.5 kg

訂貨編號：16171143
Order No. 16171143



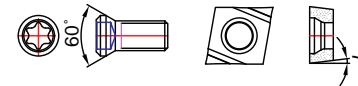
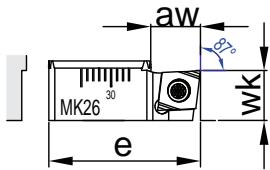
PS. 請參閱 P49, 73.

PS. Specification please refer to P49, 73.



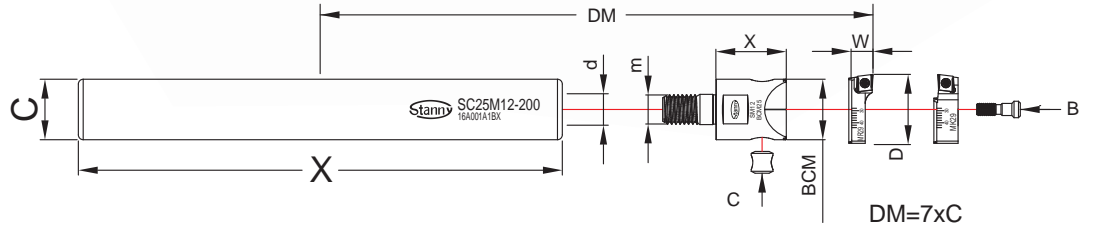
MR精搪孔刀座
Cutting Insert Holder

訂貨編號 Order No.	規格 Model	範圍 D Boring Range øDMin-øDMax	W	e	接桿 BCM	接桿 BRM/BJM	刀片 Insert	螺絲 Bolt	板手 Wrench	淨重 N.W.
50061114	MR11	11-14	6	10.6	1010	1610	CCGT0301..L	SB-1630TR-M1.6	T6	0.002
50061317	MR13	13-17	7	12.6	1212	1612	CCGT0401..L	SB-2040TR-M2		0.003
50061522	MR15	15-22	7	14.4	1414	1614	CCGT0401..L	SB-2040TR-M2		0.003
50061623	MR16	16-23	9	15.4	1615	1615	CCGT0602..FL	SB-2545TR-M2.5 (TS25-M2.5)	T8	0.005
50061723	MR17	17-23		16.6	1616	1616				0.005
50062026	MR20	20-30		19.4	2019	1619				0.006
50062329	MR23	23-33		22.4	2020	1620				0.008
50062632	MR26	26-40		25.4	2524	1624				0.010
50062943	MR29	29-43	28.4	2525	1625	0.013				



MK精搪孔反搪刀座
Reverse Cutting Insert Holder

訂貨編號 Order No.	規格 Model	範圍 D Boring Range øDMin-øDMax	aw	wk	e	接桿 BCM	接桿 BRM/BJM	刀片 Insert	螺絲 Bolt	板手 Wrench	淨重 N.W.
50051114	MK11	11-14	2.5	6	10.6	1010	1610	CCGT0301..R	SB-1630TR-M1.6	T6	0.002
50051317	MK13	13-17	2.8	7	12.6	1212	1612	CCGT0401..R	SB-2040TR-M2		0.003
50051522	MK15	15-22	4.4	7	14.4	1414	1614	CCGT0401..R	SB-2040TR-M2		0.004
50051623	MK16	16-23	4.5	9	15.4	1615	1615	CCGT0602..FR	SB-2545TR-M2.5 (TS25-M2.5)	T8	0.005
50051723	MK17	17-23	4		16.6	1616	1616				0.005
50052026	MK20	20-30	5.4		19.4	2019	1619				0.007
50052329	MK23	23-33	6.6		22.4	2020	1620				0.009
50052632	MK26	26-40	8.1		25.4	2524	1624				0.011
50052943	MK29	29-43	9	28.4	2525	1625	0.014				

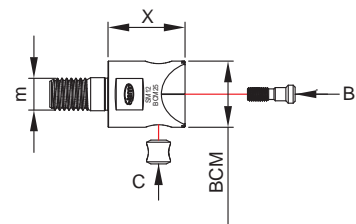


錫鋼柄
Carbide Shank

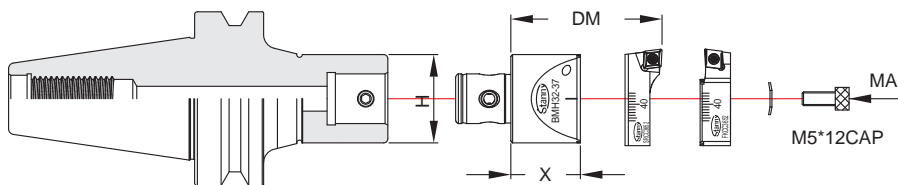
訂貨編號 Order No.	規格 Model	C	X	d	接桿 Shank	淨重 N.W.
45071007	SC10M5-75	10	75	5.5	SM5BCM10	0.069
45071010	SC10M5-100		100			0.098
45071015	SC10M5-150		150			0.149
45071207	SC12M6-75	12	75	6.5	SM6BCM12	0.106
45071210	SC12M6-100		100			0.140
45071215	SC12M6-150		150			0.216
45071410	SC14M8-100	14	100	8.5	SM8BCM14	0.190
45071415	SC14M8-150		150			0.300
45071420	SC14M8-200		200			0.410
45071610	SC16M8-100	16	100	8.5	SM8BCM16	0.254
45071615	SC16M8-150		150			0.377
45071620	SC16M8-200		200			0.517
45072015	SC20M10-150	20	150	10.5	SM10BCM20	0.589
45072020	SC20M10-200		200			0.802
45072025	SC20M10-250		250			1.006
45072515	SC25M12-150	25	150	12.5	SM12BCM25	0.922
45072520	SC25M12-200		200			1.253
45072525	SC25M12-250		250			1.575
45072530	SC25M12-300		300			1.908



接桿
Shank



訂貨編號 Order No.	規格 Model	m	X	刀座 Insert Holder	C導程螺帽 C-NUT	B螺絲 B-Bolt	板手 Wrench	淨重 N.W.
45090510	SM5BCM10	M5	19	MR/MK 11	NUT6	SLCS-M3	T8	0.011
45090612	SM6BCM12	M6	22	MR/MK 13	NUT7	SLCS-M4	T15	0.019
45090814	SM8BCM14	M8	23	MR/MK 15,16	NUT7	SLCS-M4	T15	0.028
45090816	SM8BCM16	M8	26	MR/MK 17, 20, 23, 26, 29	NUT9	SLCS-M5	T25	0.039
45091020	SM10BCM20	M10	27		NUT9	SLCS-M5	T25	0.063
45091225	SM12BCM25	M12	29		NUT9	SLCS-M5	T25	0.105

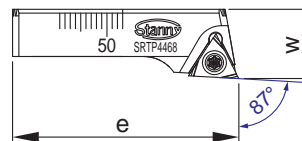


接桿 Shank

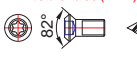
訂貨編號 Order No.	規格 Model	H	X	DM	MA	淨重 N.W.
44002530	BMH25-30	25	20	30	M5×12	0.084
44003237	BMH32-37	32	25	37	M6×12	0.164
44004044	BMH40-44	40	32	44	M6×12	0.309



精搪孔刀座 Cutting Insert Holder



SB系列螺絲(Bolt)



CS系列螺絲(Bolt)

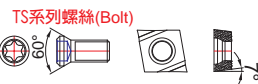
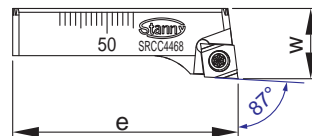


訂貨編號 Order No.	規格 Model	範圍 D Boring Range øDMin-øDMax	W	e	接桿 Shank	刀片 Insert	螺絲 Bolt	板手 Wrench	淨重 N.W.
50252938	SRTP2938	29-38	11	28	BMH25-30	TPGH0902..L (TPGX0902..L)	SB-2TR-M2.5 (CS250T)	T8	0.01
50323652	SRTP3652	36-52	13	35	BMH32-37				0.02
50404468	SRTP4468	44-68	13	43	BMH32-37 BMH40-44				0.03
50406690	SRTP6690	66-90	13	54	BMH32-37 BMH40-44				0.04
50408811	SRTP88112	88-112	13	65	BMH40-44				0.05

PS.(CS系列螺絲，請訂貨時另外告知)
PS.Order bolt CS series, please advise in advance.



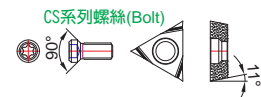
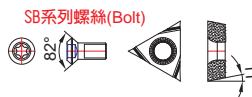
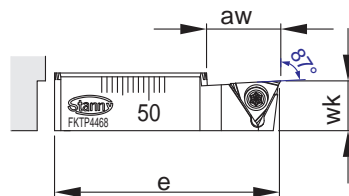
菱形精搪孔刀座
Rhombus Cutting Insert Holder



訂貨編號 Order No.	規格 Model	範圍 D Boring Range øDMin-øDMax	W	e	接桿 Shank	刀片 Insert	螺絲 Bolt	板手 Wrench	淨重 N.W.
50252938CC	SRCC2938	29-38	11	28	BMH25-30	CCGT0602..L	TS25-M2.5	T8	0.01
50323652CC	SRCC3652	36-52	13	35	BMH32-37				0.02
50404468CC	SRCC4468	44-68	13	43	BMH32-37 BMH40-44				0.03
50406690CC	SRCC6690	66-90	13	54	BMH32-37 BMH40-44				0.04
50408811CC	SRCC88112	88-112	13	65	BMH40-44				0.05



精搪孔反搪刀座
Reverse Cutting Insert Holder

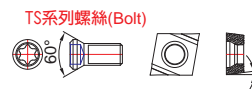
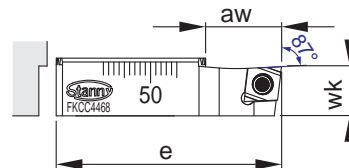


訂貨編號 Order No.	規格 Model	範圍 D Boring Range øDMin-øDMax	aw	wk	e	接桿 Shank	刀片 Insert	螺絲 Bolt	板手 Wrench	淨重 N.W.
50252938K	FTKP2938	29-38	9.5	11	27	BMH25-30	TPGH0902..R (TPGX0902..R)	SB-2TR-M2.5 (CS250T)	T8	0.01
50323652K	FTKP3652	36-52	11.1	11	35	BMH32-37				0.02
50404468K	FTKP4468	44-68	13.6	11	43	BMH32-37 BMH40-44				0.03
50406690K	FTKP6690	66-90	17	14	54	BMH32-37 BMH40-44				0.05
50408811K	FTKP88112	88-112	17.2	14	65	BMH40-44				0.06

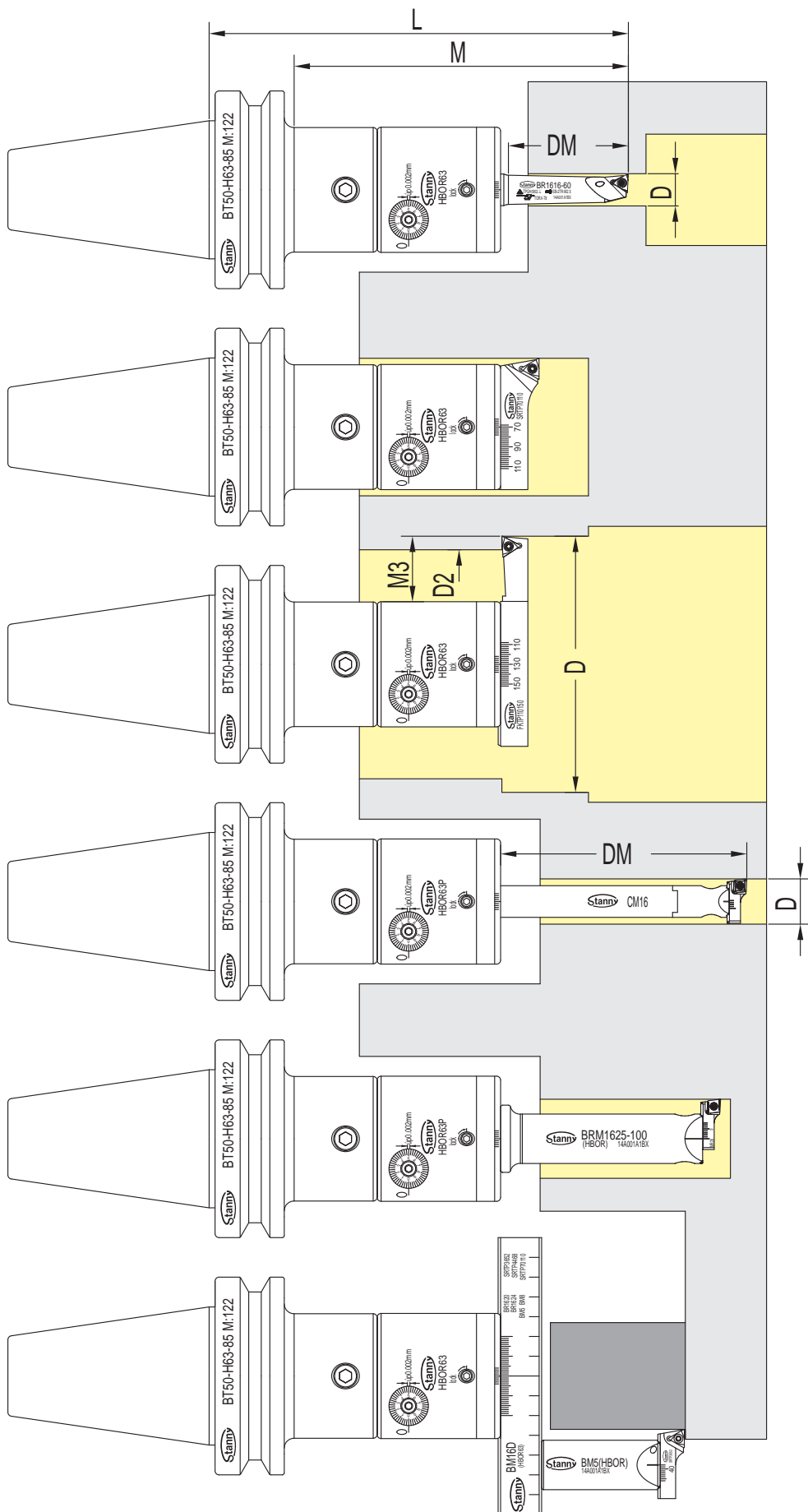
PS.(CS系列螺絲, 請訂貨時另外告知)
PS.Order bolt CS series, please advise in advance.



菱形精搪孔反搪刀座
Rhombus Reverse Cutting Insert Holder



訂貨編號 Order No.	規格 Model	範圍 D Boring Range øDMin-øDMax	aw	wk	e	接桿 Shank	刀片 Insert	螺絲 Bolt	板手 Wrench	淨重 N.W.
50252938KC	FKCC2938	29-38	8.2	11	26	BMH25-30	CCGT0602..R	TS25-M2.5	T8	0.01
50323652KC	FKCC3652	36-52	11.1	11	35	BMH32-37				0.02
50404468KC	FKCC4468	44-68	13.9	11	43	BMH32-37 BMH40-44				0.03
50406690KC	FKCC6690	66-90	17	14	54	BMH32-37 BMH40-44				0.05
50408811KC	FKCC88112	88-112	17.5	14	65	BMH40-44				0.06



精搪孔刀桿

Cutting Bar

H•BOR50

H•BOR63

精搪孔刀座

Cutting Insert Holder

H•BOR

精搪孔反搪刀座

Reverse Cutting Insert Holder

H•BOR

高速切削搪孔平衡系統

High Speed Cutting Boring System

H•BOR25P

H•BOR32P

H•BOR40P

H•BOR50P

H•BOR63P

H•BOR50P - BRM16

H•BOR63P - BRM16

搪外徑系統-"反轉"切削

Outer Diameter Boring System -
Reverse Cutting

H•BOR63-BM16D

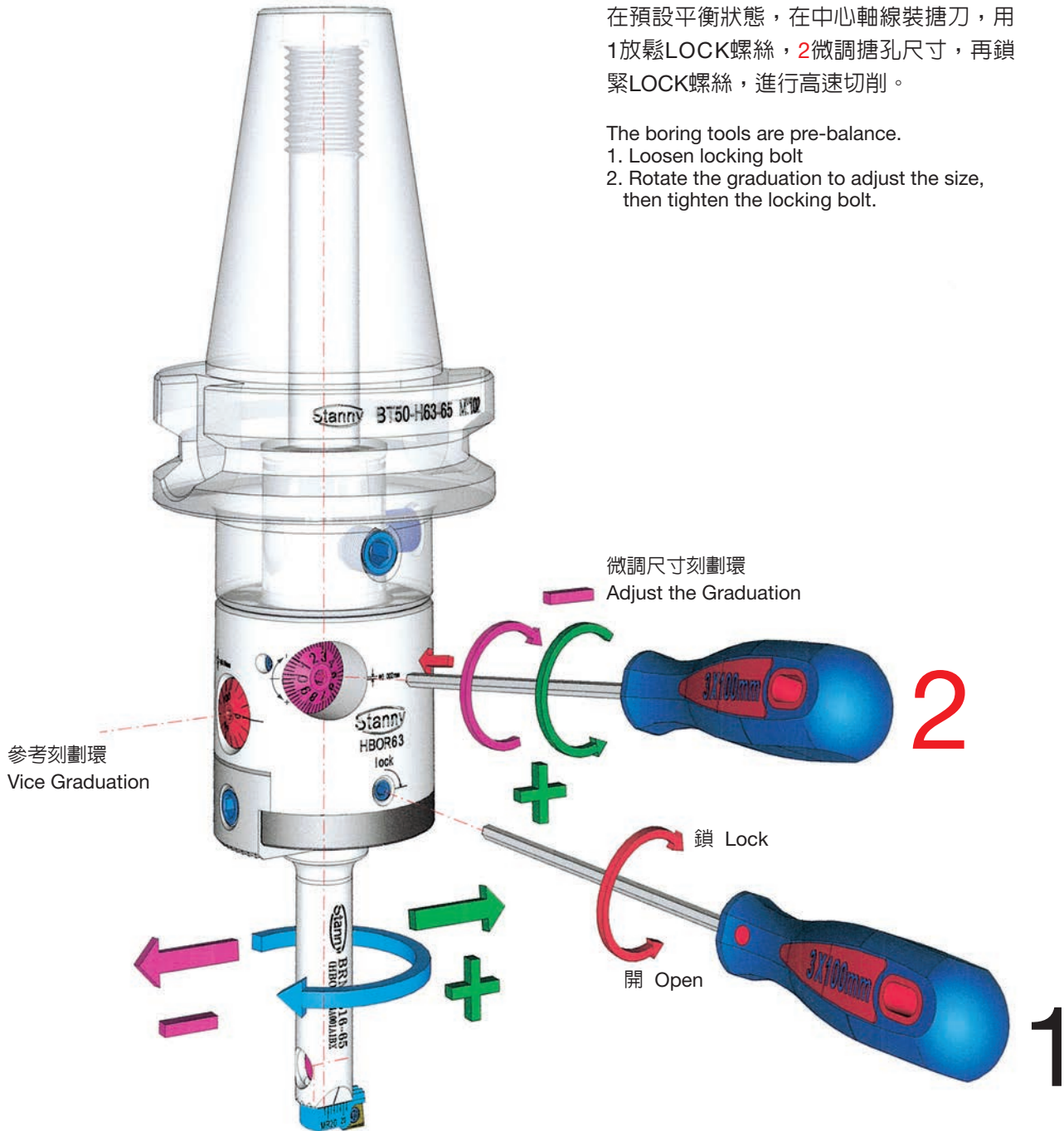


H•BOR 極細微調精搪孔刀系統

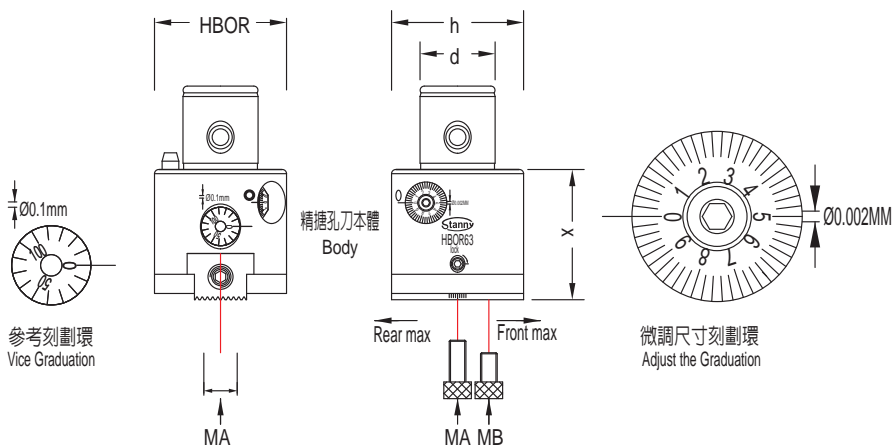
Micro-Finishing Cutter Fine Boring System

在預設平衡狀態，在中心軸線裝搪刀，用1放鬆LOCK螺絲，2微調搪孔尺寸，再鎖緊LOCK螺絲，進行高速切削。

- The boring tools are pre-balance.
1. Loosen locking bolt
 2. Rotate the graduation to adjust the size, then tighten the locking bolt.

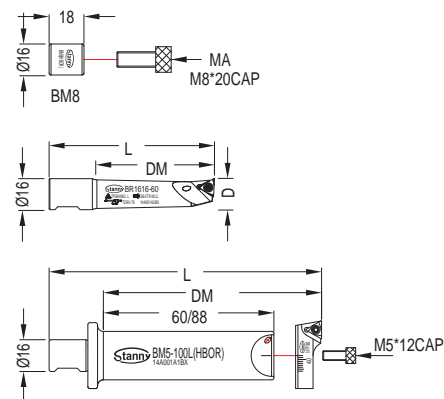


精搪孔刀本體 Body
精搪孔刀桿 Cutting Bar



H•BOR 極細微調精搪孔刀-精搪孔刀本體 Body for H•BOR Micro-Finishing Cutter Fine Boring

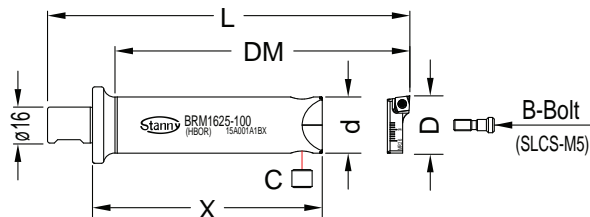
訂貨編號 Order No.	規格 Model	h	d	Front	Rear	X	MA Bolt	MB Bolt	淨重 N.W.
51000025	HBOR25	25	14	1	1	42	M5×12		0.15
51000032	HBOR32	32	18	2	2	52	M6×12		0.35
51000040	HBOR40	40	22	2	2	53	M6×12		0.50
51000050	HBOR50	50	28	2	2	63	ø16		0.92
51000063	HBOR63	63	36	4	4	63	ø16	M8×14	1.52



H•BOR 極細微調精搪孔刀-精搪孔刀桿 Cutting Bar for H•BOR50、H•BOR63 Micro-Finishing Cutter Fine Boring

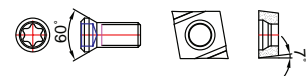
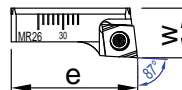
訂貨編號 Order No.	規格 Model	範圍 D Boring Range øDMin-øDMax	深度 Dimensions DM	系統 System	刀片 Insert	L	螺絲 Bolt	板手 Wrench	淨重 N.W.
50160621	BR1606-21	6-9	21	HBOR50 HBOR63	WBG0601..L	54	SB-1STR-M2	T6	0.04
50160828	BR1608-28	8-11	28		TBG0601..L	59			
50161035	BR1610-35	10-13	35			65			
50161242	BR1612-42	12-15	42		TPGH0902..L (TPGX0902..L)	70	SB-2TR-M2.5 (CS250T)	T8	0.06
50161450	BR1614-50	14-17	50			77			
50161660	BR1616-60	16-20	60			85			
50162065	BR1620-65	20-24	65			88			
50162468	BR1624-68	24-28	68		TPGH1103..L (TPGX1103..L)	91	SB-3TR-M3 (CS300T)		0.11
50162505	BM5		60 + SRTP2938 or SRTP3652 or SRTP4468			80	M5×12	ø4	0.25
50162510	BM5-100L		88 + SRTP2938 or SRTP3652 or SRTP4468			116			
50501608	BM8		+SRTP5790 or SRTP70110 or SRTP110150			M8×20	ø6	0.03	

PS.(CS系列螺絲，請訂貨時另外告知)
PS.Order bolt CS series, please advise in advance.



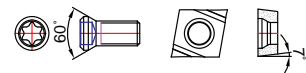
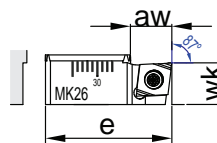
H•BOR 極細微調精搪孔刀-接桿 Shank for H•BOR50(P) \ H•BOR63(P) Micro-Finishing Cutter Fine Boring

訂貨編號 Order No.	規格 Model	X	深度 DM	L	d	C導程螺帽 C-NUT	B螺絲 B-Bolt	板手 Wrench	淨重 N.W.
50171004	BRM1610-40	45	41	71	10	NUT6	SLCS-M3	T8	0.07
50171205	BRM1612-50	54	51	81	12	NUT7	SLCS-M4	T15	0.09
50171405	BRM1614-55	59	56	86	14				0.11
50171506	BRM1615-65	67	66	96	15				0.13
50171606	BRM1616-65	67	66	96	16				0.14
50171908	BRM1619-80	82	81	111	19	NUT9	SLCS-M5	T25	0.2
50172008	BRM1620-80	82	81	111	20				0.22
50172410	BRM1624-100	102	101	131	24				0.38
50172510	BRM1625-100	102	101	131	25				0.41



H•BOR 極細微調精搪孔刀-MR精搪孔刀座 Cutting Insert Holder

訂貨編號 Order No.	規格 Model	範圍 D Boring Range øDMin-øDMax	W	e	接桿 Shank	刀片 Insert	螺絲 Bolt	板手 Wrench	淨重 N.W.
50061114	MR11	11-14	6	10.6	BRM1610-40	CCGT0301..L	SB-1630TR-M1.6	T6	0.002
50061317	MR13	13-17	7	12.6	BRM1612-50	CCGT0401..L	SB-2040TR-M2		0.003
50061522	MR15	15-22	7	14.4	BRM1614-55	CCGT0602..FL	SB-2545TR-M2.5 (TS25-M2.5)		T8
50061623	MR16	16-23	9	15.4	BRM1615-65			0.005	
50061723	MR17	17-23		16.6	BRM1616-65			0.005	
50062026	MR20	20-30		19.4	BRM1619-80			0.006	
50062329	MR23	23-33		22.4	BRM1620-80			0.008	
50062632	MR26	26-40		25.4	BRM1624-100	0.009			
50062943	MR29	29-43	28.4	BRM1625-100	0.009				



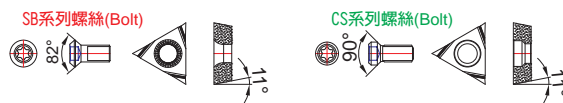
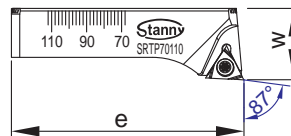
H•BOR 極細微調精搪孔刀-MK精搪孔反搪刀座 Reverse Cutting Insert Holder

訂貨編號 Order No.	規格 Model	範圍 D Boring Range øDMin-øDMax	aw	wk	e	接桿 Shank	刀片 Insert	螺絲 Bolt	板手 Wrench	淨重 N.W.
50051114	MK11	11-14	2.5	6	10.7	BRM1610-40	CCGT0301..R	SB-1630TR-M1.6	T6	0.002
50051317	MK13	13-17	2.8	7	12.6	BRM1612-50	CCGT0401..R	SB-2040TR-M2		0.003
50051522	MK15	15-22	4.4	7	14.4	BRM1614-55	CCGT0602..FR	SB-2545TR-M2.5 (TS25-M2.5)		T8
50051623	MK16	16-23	4.5	9	15.4	BRM1615-65			0.005	
50051723	MK17	17-23	4		16.6	BRM1616-65			0.005	
50052026	MK20	20-30	5.4		19.4	BRM1619-80			0.007	
50052329	MK23	23-33	6.6		22.4	BRM1620-80			0.009	
50052632	MK26	26-40	8.1		25.4	BRM1624-100	0.011			
50052943	MK29	29-43	9	28.4	BRM1625-100	0.014				

精搪孔刀座 Cutting Insert Holder

菱形精搪孔刀座 Rhombus Cutting Insert Holder

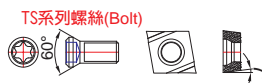
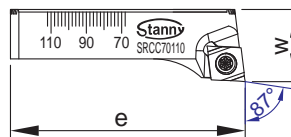
90°菱形精搪孔刀座 90° Rhombus Cutting Insert Holder



H•BOR 極細微調精搪孔刀-精搪孔刀座 Cutting Insert Holder for H•BOR Micro-Finishing Cutter Fine Boring

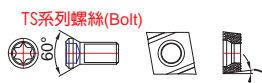
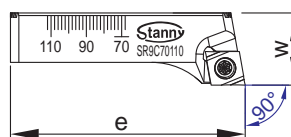
訂貨編號 Order No.	規格 Model	範圍 D Boring Range øDMin-øDMax	W	e	系統 System	刀片 Insert	螺絲 Bolt	板手 Wrench	淨重 N.W.
50252938	S RTP2938	29-38	11	28	HBOR25				0.01
50323652	S RTP3652	36-52	13	35	HBOR32	TPGH0902..L (TPGX0902..L)	SB-2TR-M2.5 (CS250T)	T8	0.02
50404468	S RTP4468	44-68	13	43	HBOR40				0.03
50505790	S RTP5790	57-90	20	54	HBOR50				0.10
50637011	S RTP70110	70-110	20	67	HBOR63	TPGH1103..L (TPGX1103..L)	SB-3TR-M3 (CS300T)		0.10
50637115	S RTP110150	110-150	20	107	HBOR63				0.21

PS.(CS系列螺絲，請訂貨時另外告知)
PS.Order bolt CS series, please advise in advance.



H•BOR 極細微調精搪孔刀-菱形精搪孔刀座 Rhombus Cutting Insert Holder for H•BOR Micro-Finishing Cutter Fine Boring

訂貨編號 Order No.	規格 Model	範圍 D Boring Range øDMin-øDMax	W	e	系統 System	刀片 Insert	螺絲 Bolt	板手 Wrench	淨重 N.W.
50252938CC	S RCC2938	29-38	11	26	HBOR25				0.01
50323652CC	S RCC3652	36-52	13	35	HBOR32	CCGT0602..L	TS25-M2.5	T8	0.02
50404468CC	S RCC4468	44-68	13	43	HBOR40				0.03
50505790CC	S RCC5790	57-90	20	54	HBOR50				0.09
50637011CC	S RCC70110	70-110	20	67	HBOR63	CCGT09T3..L	TS4-M4	T15	0.10
50637115CC	S RCC110150	110-150	20	107	HBOR63				0.20



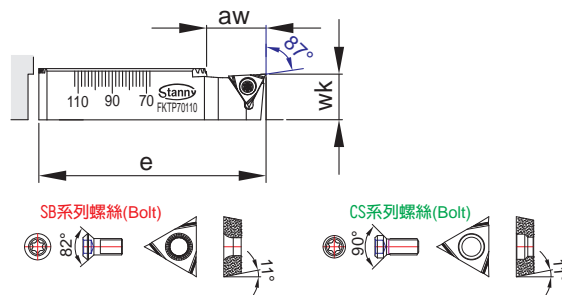
H•BOR 極細微調精搪孔刀-90°菱形精搪孔刀座 90° Rhombus Cutting Insert Holder for H•BOR Micro-Finishing Cutter Fine Boring

訂貨編號 Order No.	規格 Model	範圍 D Boring Range øDMin-øDMax	W	e	系統 System	刀片 Insert	螺絲 Bolt	板手 Wrench	淨重 N.W.
50252938C9	S R9C2938	29-38	11	26	HBOR25				0.01
50323652C9	S R9C3652	36-52	13	35	HBOR32	CCGT0602..L	TS25-M2.5	T8	0.02
50404468C9	S R9C4468	44-68	13	43	HBOR40				0.03
50505790C9	S R9C5790	57-90	20	54	HBOR50				0.09
50637011C9	S R9C70110	70-110	20	67	HBOR63	CCGT09T3..L	TS4-M4	T15	0.10
50637115C9	S R9C110150	110-150	20	107	HBOR63				0.20

精搪孔反搪刀座 Reverse Cutting Insert Holder

菱形精搪孔反搪刀座 Rhombus Reverse Cutting Insert Holder

90°菱形精搪孔反搪刀座 90° Rhombus Reverse Cutting Insert Holder



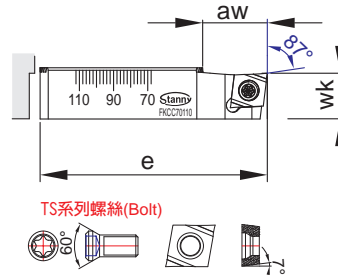
H•BOR 極細微調精搪孔刀-精搪孔反搪刀座

Reverse Cutting Insert Holder for H•BOR Micro-Finishing Cutter Fine Boring

訂貨編號 Order No.	規格 Model	範圍 D Boring Range øDMin-øDMax	aw	wk	e	系統 System	刀片 Insert	螺絲 Bolt	板手 Wrench	淨重 N.W.
50252938K	FKTP2938	29-38	6	11	27	HBOR25	TPGH0902..R (TPGX0902..R)	SB-2TR-M2.5 (CS250T)	T8	0.01
50323652K	FKTP3652	36-52	10	11	HBOR32	0.02				
50404468K	FKTP4468	44-68	12	11	HBOR40	0.03				
50505790K	FKTP5790	57-90	14	15	54	HBOR50	TPGH1103..R (TPGX1103..R)	SB-3TR-M3 (CS300T)	T8	0.10
50637011K	FKTP70110	70-110	16	15	66	HBOR63				0.10
50637115K	FKTP110150	110-150	25	15	106	HBOR63				0.21

PS.(CS系列螺絲，請訂貨時另外告知)

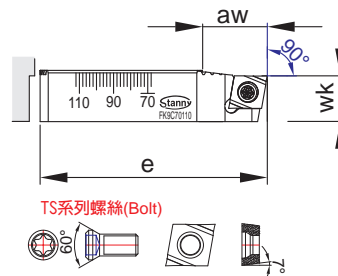
PS.Order bolt CS series, please advise in advance.



H•BOR 極細微調精搪孔刀-菱形精搪孔反搪刀座

Rhombus Reverse Cutting Insert Holder for H•BOR Micro-Finishing Cutter Fine Boring

訂貨編號 Order No.	規格 Model	範圍 D Boring Range øDMin-øDMax	aw	wk	e	系統 System	刀片 Insert	螺絲 Bolt	板手 Wrench	淨重 N.W.
50252938KC	FKCC2938	29-38	7	11	26	HBOR25	CCGT0602..R	TS25-M2.5	T8	0.01
50323652KC	FKCC3652	36-52	10	11	35	HBOR32				0.02
50404468KC	FKCC4468	44-68	13	11	43	HBOR40				0.03
50505790KC	FKCC5790	57-90	14	15	54	HBOR50	CCGT09T3..R	TS4-M4	T15	0.09
50637011KC	FKCC70110	70-110	16	15	67	HBOR63				0.10
50637115KC	FKCC110150	110-150	28	15	107	HBOR63				0.20



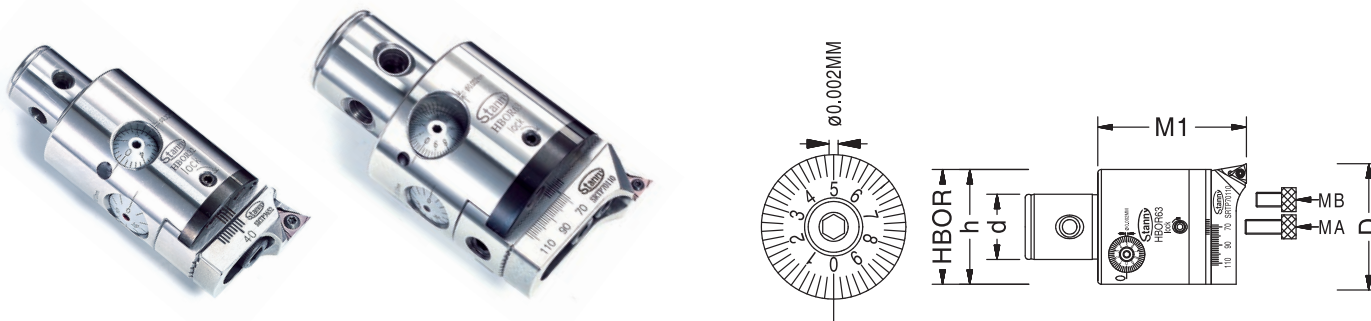
H•BOR 極細微調精搪孔刀-90°菱形精搪孔反搪刀座

90° Rhombus Reverse Cutting Insert Holder for H•BOR Micro-Finishing Cutter Fine Boring

訂貨編號 Order No.	規格 Model	範圍 D Boring Range øDMin-øDMax	aw	wk	e	系統 System	刀片 Insert	螺絲 Bolt	板手 Wrench	淨重 N.W.
50252938K9	FK9C2938	29-38	7	11	26	HBOR25	CCGT0602..R	TS25-M2.5	T8	0.01
50323652K9	FK9C3652	36-52	10	11	35	HBOR32				0.02
50404468K9	FK9C4468	44-68	13	11	43	HBOR40				0.03
50505790K9	FK9C5790	57-90	14	15	54	HBOR50	CCGT09T3..R	TS4-M4	T15	0.09
50637011K9	FK9C70110	70-110	16	15	67	HBOR63				0.10
50637115K9	FK9C110150	110-150	28	15	107	HBOR63				0.20

精搪孔刀本體、精搪孔刀座 Body and Cutting Insert Holder

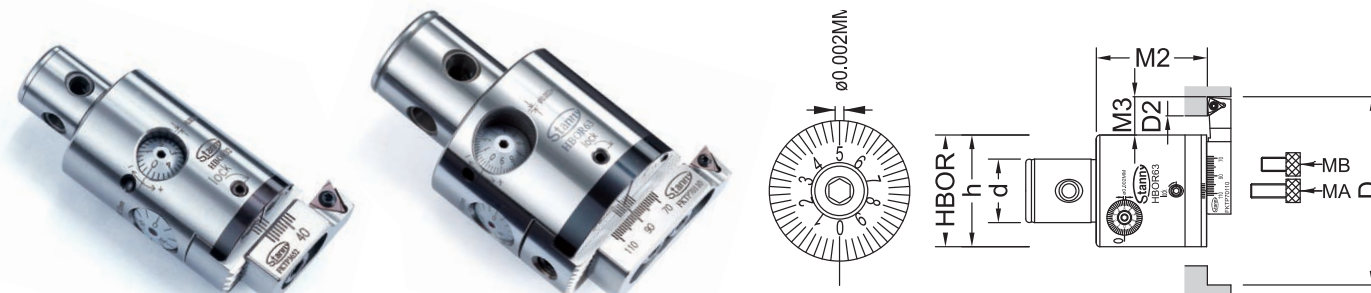
精搪孔刀本體、精搪孔反搪刀座 Body and Reverse Cutting Insert Holder



H•BOR 極細微調精搪孔刀

H•BOR Micro-Finishing Cutter Fine Boring Head

訂貨編號 Order No.	規格 Model	範圍 D Boring Range øDMin-øDMax	M1	h	精搪孔系統組合 Micro-Finishing Cutter Fine Boring and Cutting System				淨重 N.W.
					精搪孔刀本體 Boring Head	MA Bolt	MB Bolt	精搪孔刀座 Cutting Insert Holder	
52290000	HBOR25 M	29-38	50	25	HBOR25	M5×12		SRTP2938	0.16
53360000	HBOR32 M	36-52	63	32	HBOR32	M6×12		SRTP3652	0.37
54440000	HBOR40 M	44-68	63	40	HBOR40	M6×12		SRTP4468	0.53
55570000	HBOR50 BM	57-90	80	50	HBOR50	BM8×20		SRTP5790	1.05
56700000	HBOR63 BM	70-110	80	63	HBOR63	BM8×20	M8×14	SRTP70110	1.65
56710000	HBOR63 BM	110-150	80	63	HBOR63	BM8×20	M8×14	SRTP110150	1.76



$$\text{下刀徑: } D2 \geq \frac{D + \text{HBOR}}{2}$$

H•BOR 極細微調精搪孔刀—反搪

H•BOR Micro-Finishing Cutter for Reverse Fine Boring Head

訂貨編號 Order No.	規格 Model	範圍 D Boring Range øDMin-øDMax	M3	M2	h	精搪孔反搪系統組合 Micro-Finishing Cutter for Reverse Fine Boring and Cutting System				淨重 N.W.
						精搪孔刀本體 Boring Head	MA Bolt	MB Bolt	精搪孔反搪刀座 Reverse Cutting Insert Holder	
52290000K	HBOR25 MK	29-38	1-5	42	25	HBOR25	M5×12		FKTP2938	0.16
53360000K	HBOR32 MK	36-52	1-9	52.5	32	HBOR32	M6×12		FKTP3652	0.37
54440000K	HBOR40 MK	44-68	1-13	53	40	HBOR40	M6×12		FKTP4468	0.53
55570000K	HBOR50 BMK	57-90	2-19	64.5	50	HBOR50	BM8×20		FKTP5790	1.05
56700000K	HBOR63 BMK	70-110	2-22	62.5	63	HBOR63	BM8×20	M8×14	FKTP70110	1.65
56710000K	HBOR63 BMK	110-150	22-42	62.5	63	HBOR63	BM8×20	M8×14	FKTP110150	1.76

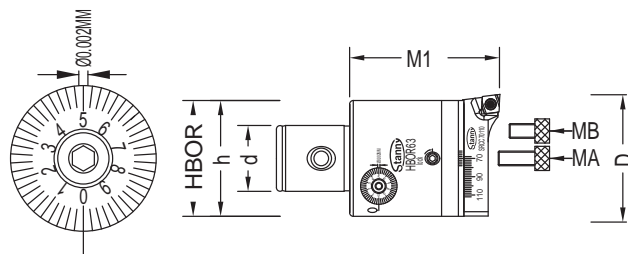
H•BOR

極細微調精搪孔刀 – 菱形 / 90° 菱形

Micro-Finishing Cutter for Rhombus & 90° Rhombus Fine Boring System

精搪孔刀本體、90°菱形精搪孔刀座 Body and 90° Rhombus Cutting Insert Holder

精搪孔刀本體、90°菱形精搪孔反搪刀座 Body and 90° Rhombus Reverse Cutting Insert Holder

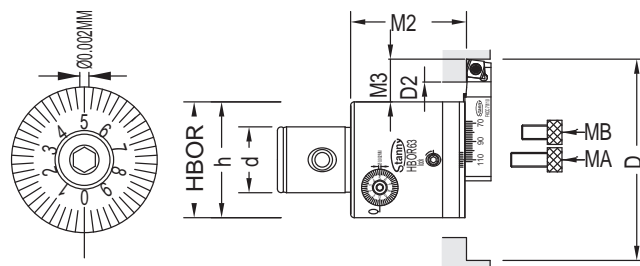


H•BOR 極細微調精搪孔刀 – 菱形 H•BOR Micro-Finishing Cutter for Rhombus Fine Boring Head

訂貨編號 Order No.	規格 Model	範圍 D Boring Range øDMin-øDMax	M1	h	精搪孔系統組合 Micro-Finishing Cutter Fine Boring and Cutting System				淨重 N.W.
					精搪孔刀本體 Boring Head	MA Bolt	MB Bolt	菱形精搪孔刀座 Rhombus Cutting Insert Holder	
52290000CC	HBOR25 MCC	29-38	50	25	HBOR25	M5×12		SRCC2938	0.16
53360000CC	HBOR32 MCC	36-52	63	32	HBOR32	M6×12		SRCC3652	0.37
54440000CC	HBOR40 MCC	44-68	63	40	HBOR40	M6×12		SRCC4468	0.53
55570000CC	HBOR50 BMCC	57-90	80	50	HBOR50	BM8×20		SRCC5790	1.06
56700000CC	HBOR63 BMCC	70-110	80	63	HBOR63	BM8×20	M8×14	SRCC70110	1.65
56710000CC	HBOR63 BMCC	110-150	80	63	HBOR63	BM8×20	M8×14	SRCC110150	1.75

H•BOR 極細微調精搪孔刀 – 90°菱形 H•BOR Micro-Finishing Cutter for 90° Rhombus Fine Boring Head

訂貨編號 Order No.	規格 Model	範圍 D Boring Range øDMin-øDMax	M1	h	精搪孔系統組合 Micro-Finishing Cutter Fine Boring and Cutting System				淨重 N.W.
					精搪孔刀本體 Boring Head	MA Bolt	MB Bolt	90°菱形精搪孔刀座 90° Rhombus Cutting Insert Holder	
52290000C9	HBOR25 M9C	29-38	50	25	HBOR25	M5×12		SR9C2938	0.16
53360000C9	HBOR32 M9C	36-52	63	32	HBOR32	M6×12		SR9C3652	0.37
54440000C9	HBOR40 M9C	44-68	63	40	HBOR40	M6×12		SR9C4468	0.53
55570000C9	HBOR50 BM9C	57-90	80	50	HBOR50	BM8×20		SR9C5790	1.06
56700000C9	HBOR63 BM9C	70-110	80	63	HBOR63	BM8×20	M8×14	SR9C70110	1.65
56710000C9	HBOR63 BM9C	110-150	80	63	HBOR63	BM8×20	M8×14	SR9C110150	1.75



$$\text{下刀徑: } D_2 \geq \frac{D + \text{HBOR}}{2}$$

H•BOR 極細微調精搪孔刀 – 菱形反搪 H•BOR Micro-Finishing Cutter for Rhombus Reverse Fine Boring Head

訂貨編號 Order No.	規格 Model	範圍 D Boring Range øDMin-øDMax	M3	M2	h	精搪孔反搪系統組合 Micro-Finishing Cutter for Reverse Fine Boring and Cutting System				淨重 N.W.
						精搪孔刀本體 Boring Head	MA Bolt	MB Bolt	菱形精搪孔反搪刀座 Rhombus Reverse Cutting Insert Holder	
52290000KC	HBOR25 MKC	29-38	1-5	42	25	HBOR25	M5×12		FKCC2938	0.16
53360000KC	HBOR32 MKC	36-52	1-9	52.5	32	HBOR32	M6×12		FKCC3652	0.37
54440000KC	HBOR40 MKC	44-68	1-13	53	40	HBOR40	M6×12		FKCC4468	0.53
55570000KC	HBOR50 BMKC	57-90	2-19	64.5	50	HBOR50	BM8×20		FKCC5790	1.06
56700000KC	HBOR63 BMKC	70-110	2-22	62.5	63	HBOR63	BM8×20	M8×14	FKCC70110	1.65
56710000KC	HBOR63 BMKC	110-150	22-42	62.5	63	HBOR63	BM8×20	M8×14	FKCC110150	1.75

H•BOR 極細微調精搪孔刀 – 90°菱形反搪 H•BOR Micro-Finishing Cutter for 90° Rhombus Reverse Fine Boring Head

訂貨編號 Order No.	規格 Model	範圍 D Boring Range øDMin-øDMax	M3	M2	h	精搪孔反搪系統組合 Micro-Finishing Cutter for Reverse Fine Boring and Cutting System				淨重 N.W.
						精搪孔刀本體 Boring Head	MA Bolt	MB Bolt	90°菱形精搪孔反搪刀座 90° Rhombus Reverse Cutting Insert Holder	
52290000K9	HBOR25 MK9C	29-38	1-5	42	25	HBOR25	M5×12		FK9C2938	0.16
53360000K9	HBOR32 MK9C	36-52	1-9	52.5	32	HBOR32	M6×12		FK9C3652	0.37
54440000K9	HBOR40 MK9C	44-68	1-13	53	40	HBOR40	M6×12		FK9C4468	0.53
55570000K9	HBOR50 BMK9C	57-90	2-19	64.5	50	HBOR50	BM8×20		FK9C5790	1.06
56700000K9	HBOR63 BMK9C	70-110	2-22	62.5	63	HBOR63	BM8×20	M8×14	FK9C70110	1.65
56710000K9	HBOR63 BMK9C	110-150	22-42	62.5	63	HBOR63	BM8×20	M8×14	FK9C110150	1.75

搪孔刀柄、精搪孔刀本體、精搪孔刀座 Taper Shank, Body and Cutting Insert Holder

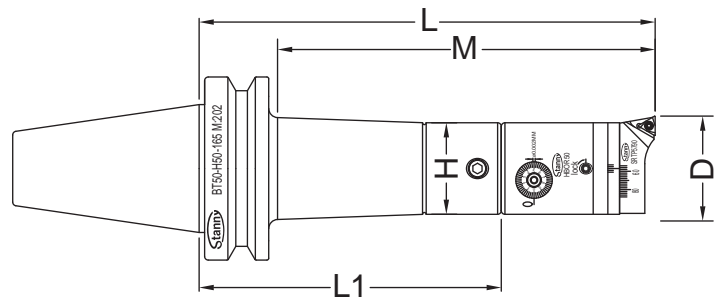


整支 SET

MAS403 BT-H•BOR 極細微調精搪孔刀

MAS403 BT and H•BOR Micro-Finishing Cutter Fine Boring Head

訂貨編號 Order No.	規格 Model	範圍 D Boring Range øDMin-øDMax	M	L	精搪孔系統組合 Micro-Finishing Cutter Fine Boring System				淨重 N.W.
					搪孔刀柄 Taper Shank	精搪孔刀本體 Boring Head	連接器 Connector	精搪孔刀座 Cutting Insert Holder	
52291306	BT30-HBOR25-60	M 29-38	60	85	BT30-H25-35	HBOR25	M5	SRTP2938	0.56
52291307	BT30-HBOR25-75	M 29-38	75	105	BT30-H25-55				0.62
53361307	BT30-HBOR32-75	M 36-52	75	98	BT30-H32-35	HBOR32	M6	SRTP3652	0.82
53361309	BT30-HBOR32-93	M 36-52	93	118	BT30-H32-55				0.79
54441307	BT30-HBOR40-75	M 44-68	75	98	BT30-H40-35	HBOR40		SRTP4468	0.98
54441309	BT30-HBOR40-93	M 44-68	93	118	BT30-H40-55				0.95
55571309	BT30-HBOR50-93	BM 57-90	93	125	BT30-H50-45	HBOR50	BM8	SRTP5790	1.33
56701309	BT30-HBOR63-93	BM 70-110	93	145	BT30-H63-65	HBOR63			SRTP70110
52291406	BT40-HBOR25-60	M 29-38	60	90	BT40-H25-40	HBOR25	M5	SRTP2938	1.16
52291409	BT40-HBOR25-90	M 29-38	90	122	BT40-H25-72				1.28
52291412	BT40-HBOR25-123	M 29-38	123	150	BT40-H25-100				1.40
52291414	BT40-HBOR25-145	M 29-38	145	177	BT40-H25-127				1.54
53361407	BT40-HBOR32-75	M 36-52	75	103	BT40-H32-40	HBOR32	M6	SRTP3652	1.37
53361410	BT40-HBOR32-102	M 36-52	102	135	BT40-H32-72				1.57
53361415	BT40-HBOR32-150	M 36-52	150	183	BT40-H32-120				1.92
53361416	BT40-HBOR32-165	M 36-52	165	198	BT40-H32-135				2.03
54441407	BT40-HBOR40-73	M 44-68	73	103	BT40-H40-40	HBOR40		SRTP4468	1.58
54441410	BT40-HBOR40-102	M 44-68	102	135	BT40-H40-72				1.84
54441416	BT40-HBOR40-162	M 44-68	162	193	BT40-H40-130				2.48
54441421	BT40-HBOR40-212	M 44-68	212	248	BT40-H40-185				3.05
55571410	BT40-HBOR50-102	BM 57-90	102	130	BT40-H50-50	HBOR50		SRTP5790	1.91
55571414	BT40-HBOR50-142	BM 57-90	142	170	BT40-H50-90				2.48
55571418	BT40-HBOR50-182	BM 57-90	182	210	BT40-H50-130				3.25
55571422	BT40-HBOR50-222	BM 57-90	222	250	BT40-H50-170				4.12
56701410	BT40-HBOR63-102	BM 70-110	102	135	BT40-H63-55	HBOR63	BM8	SRTP70110	2.51
56701415	BT40-HBOR63-152	BM 70-110	152	185	BT40-H63-105				3.72
56701420	BT40-HBOR63-202	BM 70-110	202	235	BT40-H63-155				4.81
56711410	BT40-HBOR63-102	BM 110-150	102	135	BT40-H63-55				2.60
56711415	BT40-HBOR63-152	BM 110-150	152	185	BT40-H63-105	SRTP110150			3.81
56711420	BT40-HBOR63-202	BM 110-150	202	235	BT40-H63-155				4.90



訂貨編號 Order No.	規格 Model	範圍 D Boring Range øDMin-øDMax	M	L	精搪孔系統組合 Micro-Finishing Cutter Fine Boring System				淨重 N.W.
					搪孔刀柄 Taper Shank	精搪孔刀本體 Boring Head	連接器 Connector	精搪孔刀座 Cutting Insert Holder	
52291510	BT50-HBOR25-102	M 29-38	102	165	BT50-H25-115	HBOR25	M5	SRTP2938	4.31
52291512	BT50-HBOR25-127	M 29-38	127	190	BT50-H25-140				4.46
52291515	BT50-HBOR25-152	M 29-38	152	215	BT50-H25-165				4.56
53361513	BT50-HBOR32-135	M 36-52	135	198	BT50-H32-135	HBOR32	M6	SRTP3652	4.92
53361516	BT50-HBOR32-165	M 36-52	165	228	BT50-H32-165				5.17
53361520	BT50-HBOR32-200	M 36-52	200	263	BT50-H32-200				5.37
54441513	BT50-HBOR40-135	M 44-68	135	198	BT50-H40-135	HBOR40	M6	SRTP4468	5.43
54441518	BT50-HBOR40-185	M 44-68	185	248	BT50-H40-185				5.98
54441522	BT50-HBOR40-225	M 44-68	225	288	BT50-H40-225				6.43
54441526	BT50-HBOR40-265	M 44-68	265	328	BT50-H40-265	HBOR50	M6	SRTP5790	6.83
55571510	BT50-HBOR50-102	BM 57-90	102	145	BT50-H50-65				4.56
55571520	BT50-HBOR50-202	BM 57-90	202	245	BT50-H50-165				6.11
55571525	BT50-HBOR50-252	BM 57-90	252	295	BT50-H50-215	HBOR50	M6	SRTP5790	7.06
55571530	BT50-HBOR50-302	BM 57-90	302	345	BT50-H50-265				8.22
56701512	BT50-HBOR63-122	BM 70-110	122	165	BT50-H63-85				HBOR63
56701520	BT50-HBOR63-202	BM 70-110	202	245	BT50-H63-165	7.47			
56701525	BT50-HBOR63-252	BM 70-110	252	295	BT50-H63-215	9.02			
56701530	BT50-HBOR63-302	BM 70-110	302	345	BT50-H63-265	HBOR63	BM8	SRTP70110	9.97
56701535	BT50-HBOR63-352	BM 70-110	352	395	BT50-H63-315				13.22
56711512	BT50-HBOR63-122	BM 110-150	122	165	BT50-H63-85				HBOR63
56711520	BT50-HBOR63-202	BM 110-150	202	245	BT50-H63-165	7.56			
56711525	BT50-HBOR63-252	BM 110-150	252	295	BT50-H63-215	9.11			
56711530	BT50-HBOR63-302	BM 110-150	302	345	BT50-H63-265	HBOR63	BM8	SRTP110150	10.06
56711535	BT50-HBOR63-352	BM 110-150	352	395	BT50-H63-315				13.31



彈性的高速切削搪孔平衡系統組合，任意組合搪刀
(接桿、鎢鋼、套筒、搪孔刀座)高速搪孔，
提高效率，平衡切削，精密穩定。

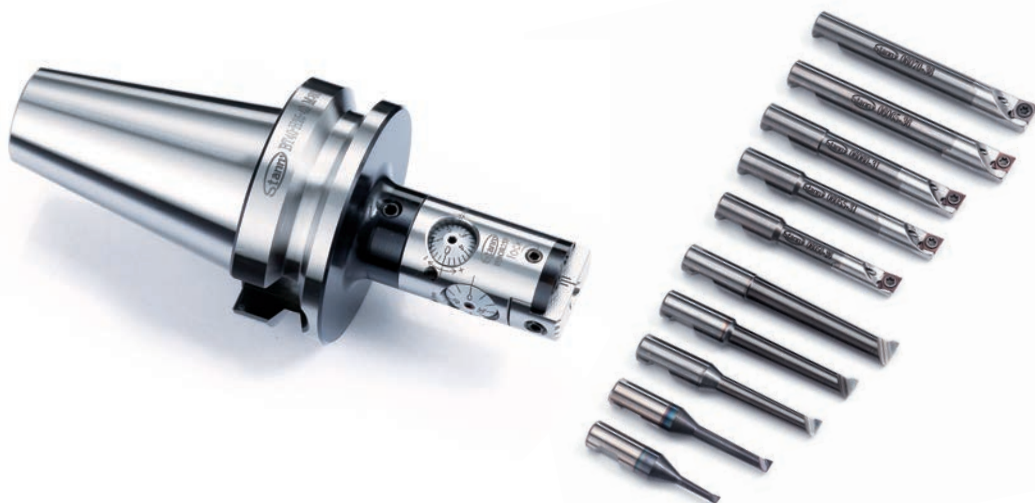
High speed boring cutting balance system can work with other boring cutting
(boring cutting bar, carbide, sleeve and cutting insert holder).
It's more efficient, balance cutting, accurate and stable.



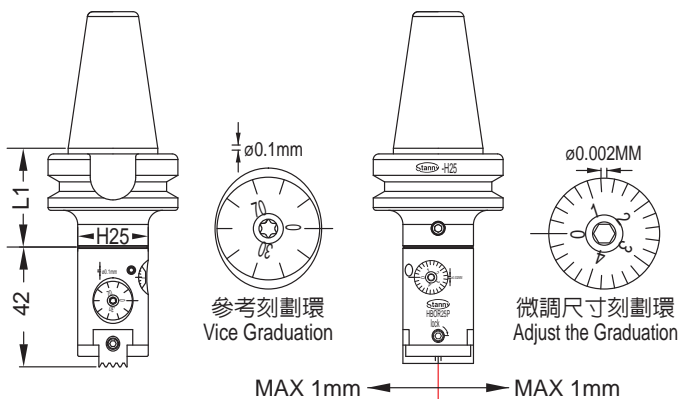
H•BOR25P

極細微調精搪孔系統 Micro-Finishing Cutter Fine Boring System

整組SET G2.5 12000rpm



訂貨編號 Order No.	規格 Model	L1	淨重 N.W
52161303P	BT30-HBOR25P	35	0.63
52161404P	BT40-HBOR25P	40	1.22
52162303P	SK30-HBOR25P	30	0.58
52162403P	SK40-HBOR25P	30	0.72
52164604P	HSK63-HBOR25P	40	0.92



鎢鋼刀桿 Carbide Bar

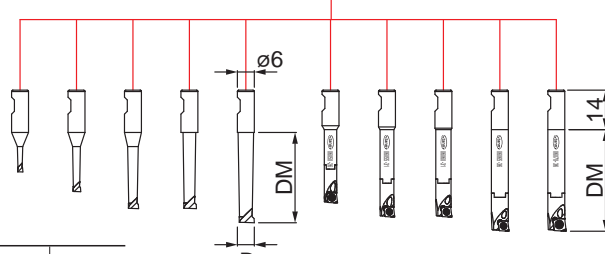
訂貨編號 Order No.	規格 Model	範圍 D Boring Range øDMin-øDMax	深度 DM	淨重 N.W
50060209T	CA0602-09T	2-3.2	9	0.01
50060316T	CA0603-16T	3-4.2	16	0.01
50060422T	CA0604-22T	4-5.2	22	0.02
50060527T	CA0605-27T	5-6.2	27	0.02
50060632T	CA0606-32T	6-7.2	32	0.02

鎢鋼刀桿 Carbide Cutting Bar

訂貨編號 Order No.	規格 Model	範圍 D Boring Range øDMin-øDMax	深度 DM	刀片 Insert	螺絲 Bolt	板手 Wrench	淨重 N.W
5006605021	CB06050-21	5-6	21				0.0078
5006605526	CB06055-26	5.5-6.5	26	CCGT0301..L	SB-1630TR-M1.6	T6	0.0100
5006606026	CB06060-26	6-7	0.0106				
5006606531	CB06065-31	6.5-7.5	31				0.0142
5006607031	CB06070-31	7-8	31	CCGT0401..L	SB-2040TR-M2		0.0146

鎢鋼刀桿 Carbide Cutting Bar

訂貨編號 Order No.	規格 Model	範圍 D Boring Range øDMin-øDMax	深度 DM	刀片 Insert	螺絲 Bolt	板手 Wrench	淨重 N.W
5006605026	CB06050-26	5-6	26				0.0090
5006605531	CB06055-31	5.5-6.5	31	CCGT0301..L	SB-1630TR-M1.6	T6	0.0112
5006606031	CB06060-31	6-7	31				0.0124
5006606536	CB06065-36	6.5-7.5	36				0.0162
5006607036	CB06070-36	7-8	36	CCGT0401..L	SB-2040TR-M2		0.0160



H•BOR32P

極細微調精搪孔系統

Micro-Finishing Cutter Fine Boring System

整組SET G2.5 12000rpm



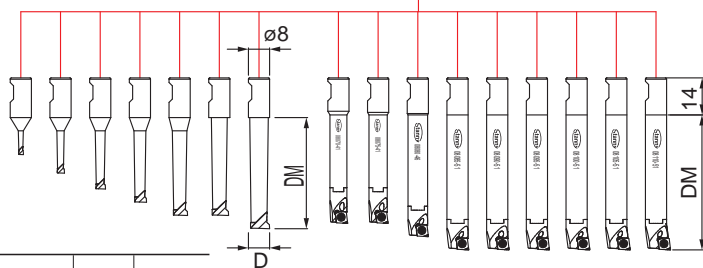
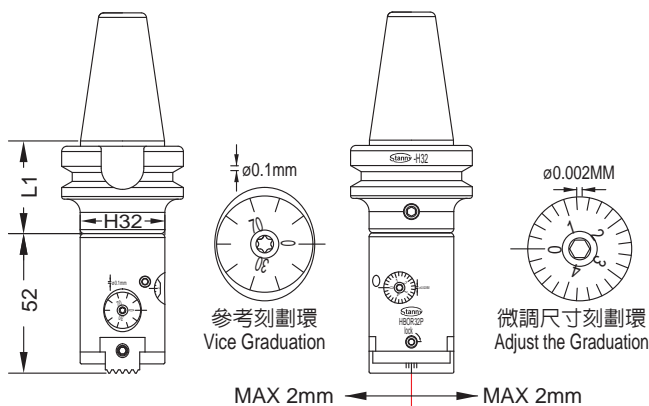
訂貨編號 Order No.	規格 Model	L1	淨重 N.W
53181303P	BT30-HBOR32P	35	0.76
53181404P	BT40-HBOR32P	40	1.35
53182303P	SK30-HBOR32P	35	0.71
53182403P	SK40-HBOR32P	35	1.3
53184604P	HSK63-HBOR32P	40	1.32

鎢鋼刀桿 Carbide Bar

訂貨編號 Order No.	規格 Model	範圍 D Boring Range øDMin-øDMax	深度 DM	淨重 N.W
50080209T	CA0802-09T	2-3.2	9	0.03
50080316T	CA0803-16T	3-4.2	16	0.03
50080422T	CA0804-22T	4-5.2	22	0.03
50080527T	CA0805-27T	5-6.2	27	0.04
50080632T	CA0806-32T	6-7.2	32	0.04
50080737T	CA0807-37T	7-8.2	37	0.04
50080842T	CA0808-42T	8-9.2	42	0.05

鎢鋼刀桿 Carbide Cutting Bar

訂貨編號 Order No.	規格 Model	範圍 D Boring Range øDMin-øDMax	深度 DM	刀片 Insert	螺絲 Bolt	扳手 Wrench	淨重 N.W
5008807031	CB08070-31	7-8	31	CCGT0401..L	SB-2040TR-M2	T6	0.0200
5008807536	CB08075-36	7.5-8.5	36				0.0232
5008808036	CB08080-36	8-9	36				0.0264
5008808541	CB08085-41	8.5-9.5	41				0.0332
5008809041	CB08090-41	9-10	41				0.0334
5008809541	CB08095-41	9.5-10.5	41				0.0338
5008810041	CB08100-41	10-11	41				0.0340
5008810541	CB08105-41	10.5-11.5	41				0.0334
5008811041	CB08110-41	11-12	41				0.0344



H•BOR40P

極細微調精搪孔系統

Micro-Finishing Cutter Fine Boring System

整組SET G2.5 12000rpm



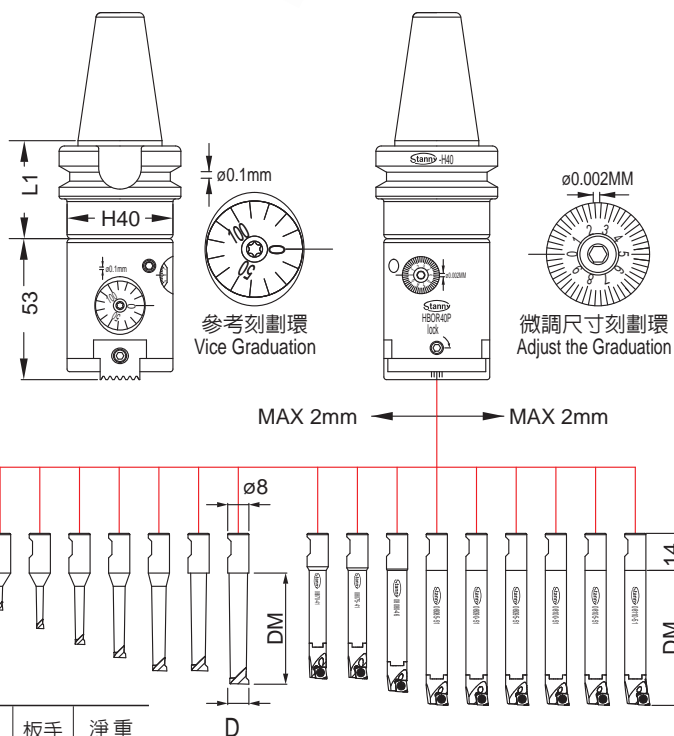
訂貨編號 Order No.	規格 Model	L1	淨重 N.W
54181303P	BT30-HBOR40P	35	0.95
54181404P	BT40-HBOR40P	40	1.34
54182303P	SK30-HBOR40P	35	0.9
54182403P	SK40-HBOR40P	35	1.29
54184604P	HSK63-HBOR40P	45	0.92

鎢鋼刀桿 Carbide Bar

訂貨編號 Order No.	規格 Model	範圍 D Boring Range øDMin-øDMax	深度 DM	淨重 N.W
50080209T	CA0802-09T	2-3.2	9	0.03
50080316T	CA0803-16T	3-4.2	16	0.03
50080422T	CA0804-22T	4-5.2	22	0.03
50080527T	CA0805-27T	5-6.2	27	0.04
50080632T	CA0806-32T	6-7.2	32	0.04
50080737T	CA0807-37T	7-8.2	37	0.04
50080842T	CA0808-42T	8-9.2	42	0.05

鎢鋼刀桿 Carbide Cutting Bar

訂貨編號 Order No.	規格 Model	範圍 D Boring Range øDMin-øDMax	深度 DM	刀片 Insert	螺絲 Bolt	扳手 Wrench	淨重 N.W
5008807041	CB08070-41	7-8	41	CCGT0401..L	SB-2040TR-M2	T6	0.0234
5008807541	CB08075-41	7.5-8.5	41				0.0262
5008808046	CB08080-46	8-9	46				0.0326
5008808551	CB08085-51	8.5-9.5	51				0.0396
5008809051	CB08090-51	9-10	51				0.0404
5008809551	CB08095-51	9.5-10.5	51				0.0402
5008810051	CB08100-51	10-11	51				0.0402
5008810551	CB08105-51	10.5-11.5	51				0.0406
5008811051	CB08110-51	11-12	51				0.0404



H•BOR50P

極細微調精搪孔系統

Micro-Finishing Cutter Fine Boring System

整組SET G2.5 12000rpm $\phi 5 \sim \phi 11$



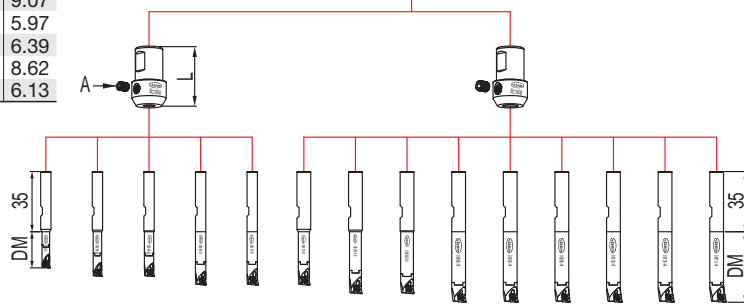
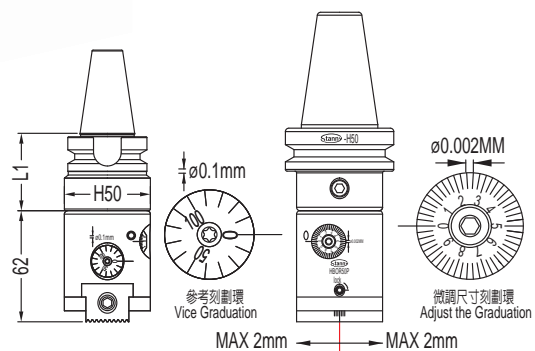
訂貨編號 Order No.	規格 Model	範圍 D Boring Range $\phi D_{Min} - \phi D_{Max}$	組合系統-主軸柄規格 Taper Shank	L1	淨重 N.W.
55801304CR	BT30-HBOR50P	5-11	MAS403 BT30-H50-45	45	5.84
55801405CR	BT40-HBOR50P	5-11	MAS403 BT40-H50-50	50	6.42
55801506CR	BT50-HBOR50P	5-11	MAS403 BT50-H50-65	65	9.07
55802305CR	SK30-HBOR50P	5-11	DIN69871A ISO30-H50-55	55	5.97
55802405CR	SK40-HBOR50P	5-11	DIN69871A ISO40-H50-50	50	6.39
55802505CR	SK50-HBOR50P	5-11	DIN69871A ISO50-H50-50	50	8.62
55804605CR	HSK63-HBOR50P	5-11	DIN69893A HSK63-H50-50	50	6.13

套筒 Sleeve

訂貨編號 Order No.	規格 Model	內徑 Inner	L	A螺絲 A-Bolt	鎢鋼刀桿 Carbide Cutting Bar	淨重 N.W.
50081606	BC1606	$\phi 6$	34	M5	CR06...	0.0542
50081608	BC1608	$\phi 8$		M6	CR08...	0.0484

鎢鋼刀桿 Carbide Cutting Bar

訂貨編號 Order No.	規格 Model	範圍 D Boring Range $\phi D_{Min} - \phi D_{Max}$	深度 DM	套筒 Sleeve	刀片 Insert	螺絲 Bolt	板手 Wrench	淨重 N.W
5007605021	CR06050-21	5-6	21	BC1606	CCGT0301..L	SB-1630TR-M1.6	T6	0.0184
5007605526	CR06055-26	5.5-6.5	26					0.0204
5007606026	CR06060-26	6-7	0.0214					
5007606531	CR06065-31	6.5-7.5	0.0250					
5007607031	CR06070-31	7-8	31					CCGT0401..L
5009807031	CR08070-31	7-8	36	BC1608	CCGT0401..L	SB-2040TR-M2	T6	0.0380
5009807536	CR08075-36	7.5-8.5						0.0420
5009808036	CR08080-36	8-9						0.0450
5009808541	CR08085-41	8.5-9.5						0.0518
5009809041	CR08090-41	9-10						0.0518
5009809541	CR08095-41	9.5-10.5	41	BC1608	CCGT0401..L	SB-2040TR-M2	T6	0.0520
5009810041	CR08100-41	10-11						0.0520
5009810541	CR08105-41	10.5-11.5						0.0520
5009811041	CR08110-41	11-12						0.0524



H•BOR50P

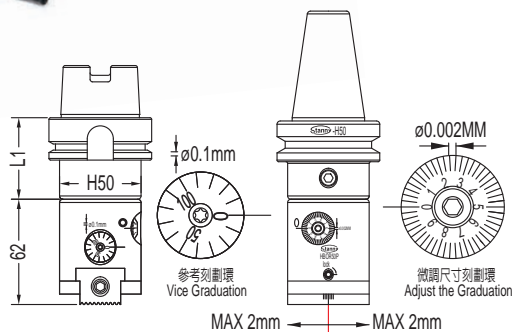
極細微調精搪孔系統

Micro-Finishing Cutter Fine Boring System

整組SET G2.5 12000rpm $\phi 11 \sim \phi 32$



訂貨編號 Order No.	規格 Model	範圍 D Boring Range $\phi D_{Min} - \phi D_{Max}$	組合系統-主軸柄規格 Taper Shank	L1	淨重 N.W.
55801304	BT30-HBOR50P	11-32	MAS403 BT30-H50-45	45	6.23
55801405	BT40-HBOR50P	11-32	MAS403 BT40-H50-50	50	6.81
55801506	BT50-HBOR50P	11-32	MAS403 BT50-H50-65	65	9.46
55802305	SK30-HBOR50P	11-32	DIN69871A ISO30-H50-55	55	6.36
55802405	SK40-HBOR50P	11-32	DIN69871A ISO40-H50-50	50	6.78
55802505	SK50-HBOR50P	11-32	DIN69871A ISO50-H50-50	50	9.01
55804605	HSK63-HBOR50P	11-32	DIN69893A HSK63-H50-50	50	6.52



套筒 Sleeve

訂貨編號 Order No.	規格 Model	內徑 Inner	L	A螺絲 A-Bolt	鎢鋼柄 Carbide Shank	淨重 N.W.
50081610	BC1610	$\phi 10$	34	M8	CM10	0.06
50081612	BC1612	$\phi 12$			CM12	0.05
50081614	BC1614	$\phi 14$			CM14	0.04

鎢鋼柄 Carbide Shank

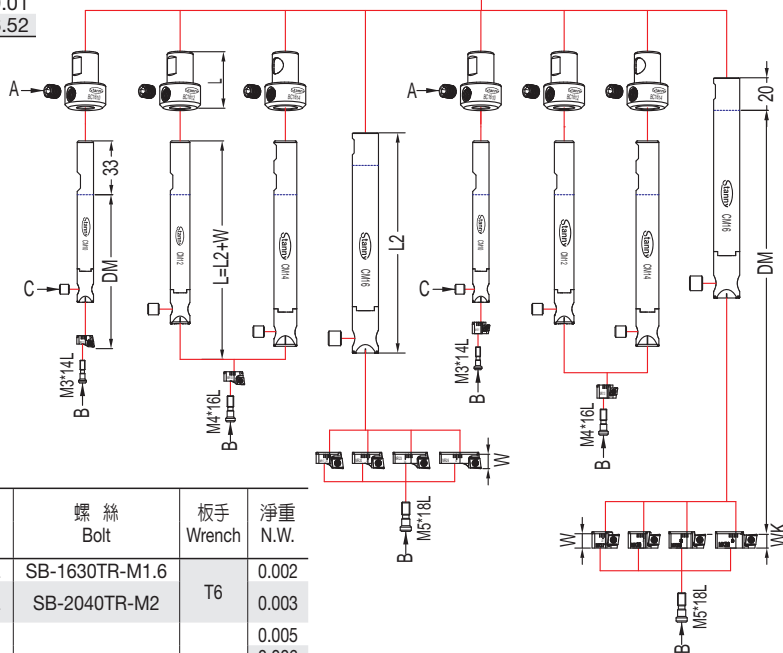
訂貨編號 Order No.	規格 Model	外徑 Outer	L2	C導程螺帽 C-NUT	B螺絲 B-Bolt	淨重 N.W.
50071009	CM10	$\phi 10$	99	NUT6	SLCS-M3	0.10
50071211	CM12	$\phi 12$	112	NUT7	SLCS-M4	0.16
50071411	CM14	$\phi 14$	115	NUT7	SLCS-M4	0.21
50071613	CM16	$\phi 16$	135	NUT9	SLCS-M5	0.35

MR (正搪) 和MK (反搪) 搪孔刀座

MR and MK (Reverse) Cutting Insert Holder

訂貨編號 Order No.	規格 Model	範圍 D Boring Range $\phi D_{Min} - \phi D_{Max}$	刀座高度		深度 DM	L	鎢鋼柄 Carbide Shank	套筒 Sleeve	刀片 Insert	螺絲 Bolt	板手 Wrench	淨重 N.W.
			W	WK								
50061114	MR11	11-14	6		72	105	CM10	BC1610	CCGT0301..L	SB-1630TR-M1.6	T6	0.002
50061317	MR13	13-17	7		86	119	CM12	BC1612	CCGT0401..L	SB-2040TR-M2	T6	0.003
50061723	MR17	17-23										0.005
50062026	MR20	20-26										0.006
50062329	MR23	23-29	9		124	144	CM16		CCGT0602..L	TS25-M2.5	T8	0.008
50062632	MR26	26-32										0.009

50051114	MK11	11-14	7	6	59	106	CM10	BC1610	CCGT0301..R	SB-1630TR-M1.6	T6	0.002
50051317	MK13	13-17	8	7	72	120	CM12	BC1612	CCGT0401..R	SB-2040TR-M2	T6	0.003
50051723	MK17	17-23										0.005
50052026	MK20	20-26										0.007
50052329	MK23	23-29	10	9	115	145	CM16		CCGT0602..R	TS25-M2.5	T8	0.009
50052632	MK26	26-32										0.011



H•BOR50P

極細微調精搪孔系統 — 菱形 Micro-Finishing Cutter Fine Boring System

整組SET G2.5 12000rpm $\phi 11 \sim \phi 90$



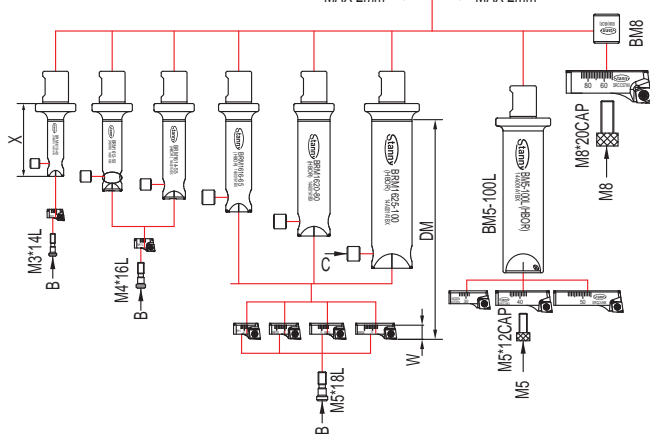
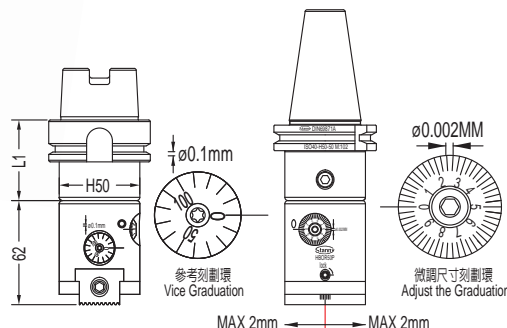
訂貨編號 Order No.	規格 Model	範圍 D Boring Range $\phi D_{Min} - \phi D_{Max}$	組合系統-主軸柄規格 Taper Shank	L1	淨重 N.W.
55801304RM	BT30-HBOR50P	11-90	MAS403 BT30-H50-45	45	6.85
55801405RM	BT40-HBOR50P	11-90	MAS403 BT40-H50-50	50	7.43
55801506RM	BT50-HBOR50P	11-90	MAS403 BT50-H50-65	65	10.08
55802305RM	SK30-HBOR50P	11-90	DIN69871A ISO30-H50-55	55	6.98
55802405RM	SK40-HBOR50P	11-90	DIN69871A ISO40-H50-50	50	7.40
55802505RM	SK50-HBOR50P	11-90	DIN69871A ISO50-H50-50	50	9.63
55804605RM	HSK63-HBOR50P	11-90	DIN69893A HSK63-H50-50	50	7.14

接桿 Shank

訂貨編號 Order No.	規格 Model	X	深度 DM	C導程螺帽 C-NUT	螺絲 B-Bolt	板手 Wrench	淨重 N.W
50171004	BRM1610-40	45	41	NUT6	SLCS-M3	T8	0.07
50171205	BRM1612-50	54	51	NUT7	SLCS-M4	T15	0.09
50171405	BRM1614-55	59	56				0.11
50171606	BRM1616-65	67	66	NUT9	SLCS-M5	T25	0.14
50172008	BRM1620-80	82	81				0.22
50172510	BRM1625-100	102	101				0.41
50162510	BM5-100L	96	88+		M5×12	○4	0.40
50501608	BM8				M8×20	○6	0.03

搪孔刀座 Cutting Insert Holder

訂貨編號 Order No.	規格 Model	範圍 D Boring Range $\phi D_{Min} - \phi D_{Max}$	刀座高度 W	接桿 Shank	刀片 Insert	螺絲 Bolt	板手 Wrench	淨重 N.W
50061114	MR11	11-14	6	BRM1610-40	CCGT0301..L	SB-1630TR-M1.6	T6	0.002
50061317	MR13	13-17	7	BRM1612-50 BRM1614-55	CCGT0401..L	SB-2040TR-M2		0.003
50061723	MR17	17-23	9	BRM1616-65 BRM1620-80 BRM1625-100	CCGT0602..L	TS25-M2.5	T8	0.005
50062026	MR20	20-26						0.006
50062329	MR23	23-29						0.008
50062632	MR26	26-32						0.009
50252938CC	SRCC2938	29-38	11	BM5-100L	CCGT09T3..L	TS4-M4	T15	0.010
50323652CC	SRCC3652	36-52	13					0.020
50404468CC	SRCC4468	44-68	13					0.030
50505790CC	SRCC5790	57-90	20					0.100

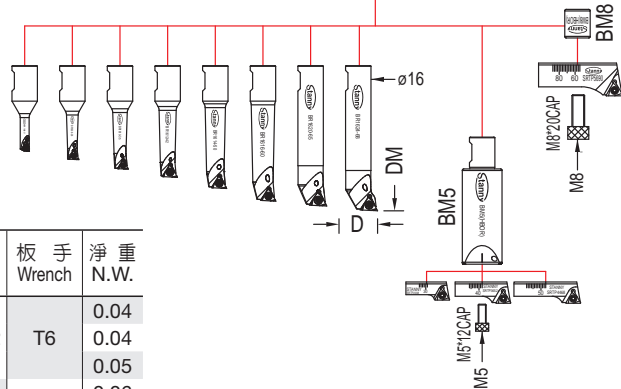
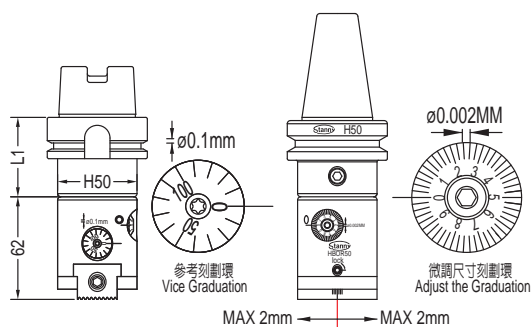


H•BOR50

極細微調精搪孔系統

Micro-Finishing Cutter Fine Boring System

整組SET $\phi 6 \sim \phi 90$



訂貨編號 Order No.	規格 Model	範圍 D Boring Range $\phi D_{Min} - \phi D_{Max}$	組合系統-主軸柄規格 Taper Shank	L1	淨重 N.W.
55901309	BT30-HBOR50	6-90	MAS403 BT30-H50-45	45	6.7
55901410	BT40-HBOR50	6-90	MAS403 BT40-H50-50	50	7.3
55901510	BT50-HBOR50	6-90	MAS403 BT50-H50-65	65	9.9
55902309	SK30-HBOR50	6-90	DIN69871A ISO30-H50-55	55	6.8
55902410	SK40-HBOR50	6-90	DIN69871A ISO40-H50-50	50	7.3
55902510	SK50-HBOR50	6-90	DIN69871A ISO50-H50-50	50	9.5
55904610	HSK63-HBOR50	6-90	DIN69893A HSK63-H50-50	50	7.0

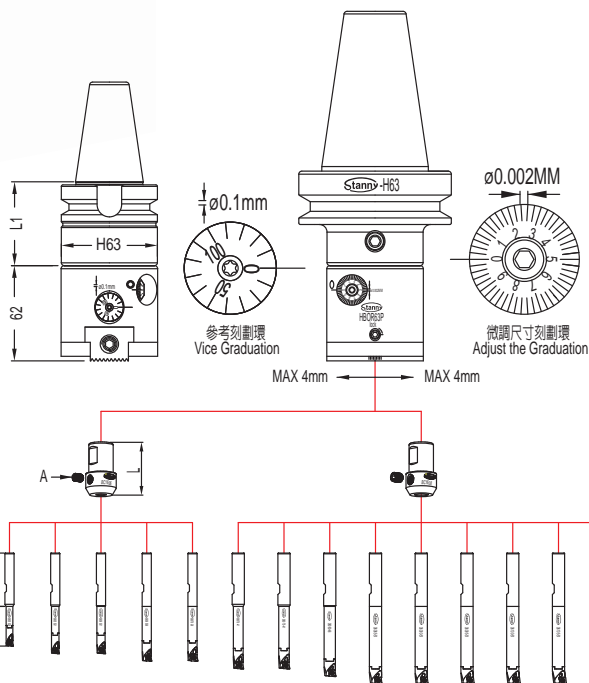
訂貨編號 Order No.	規格 Model	範圍 D Boring Range $\phi D_{Min} - \phi D_{Max}$	深度 DM	刀片 Insert	螺絲 Bolt	板手 Wrench	淨重 N.W.
50160621	BR1606-21	6-9	21	WBG0601..L			0.04
50160828	BR1608-28	8-11	28	TBGT0601..L	SB-1STR-M2	T6	0.04
50161035	BR1610-35	10-13	35				0.05
50161242	BR1612-42	12-15	42				0.06
50161450	BR1614-50	14-17	50	TPGH0902..L	SB-2TR-M2.5		0.07
50161660	BR1616-60	16-20	60			T8	0.09
50162065	BR1620-65	20-24	65				0.11
50162468	BR1624-68	24-28	68	TPGH1103..L	SB-3TR-M3		0.12
50162505	BM5		60 + SRTP2938 or SRTP3652 or SRTP4468		M5×12	4	0.25
50252938	SRTP2938	29-38	+10				0.01
50323652	SRTP3652	36-52	+12	TPGH0902..L	SB-2TR-M2.5	T8	0.02
50404468	SRTP4468	44-68	+12				0.03
50501608	BM8			+SRTP5790	M8×20	6	0.03
50505790	SRTP5790	57-90	+20	TPGH1103..L	SB-3TR-M3	T8	0.10

H•BOR63P

極細微調精搪孔系統

Micro-Finishing Cutter Fine Boring System

整組SET G2.5 12000rpm $\phi 5 \sim \phi 11$



訂貨編號 Order No.	規格 Model	範圍 D Boring Range ϕ DMin- ϕ DMax	組合系統-主軸柄規格 Taper Shank	L1	淨重 N.W.
56801405CR	BT40-HBOR63P	5-11	MAS403 BT40-H63-55	55	7.2
56801506CR	BT50-HBOR63P	5-11	MAS403 BT50-H63-65	65	9.8
56801508CR	BT50-HBOR63P	5-11	MAS403 BT50-H63-85	85	10.3
56802406CR	SK40-HBOR63P	5-11	DIN69871A ISO40-H63-60	60	7.2
56802506CR	SK50-HBOR63P	5-11	DIN69871A ISO50-H63-65	65	9.0
56804606CR	HSK63-HBOR63P	5-11	DIN69893A HSK63-H63-67	67	7.0

套筒 Sleeve

訂貨編號 Order No.	規格 Model	內徑 Inner	L	A螺絲 A-Bolt	鎢鋼刀桿 Carbide Cutting Bar	淨重 N.W.
50081606	BC1606	$\phi 6$	34	M5	CR06...	0.0542
50081608	BC1608	$\phi 8$		M6	CR08...	0.0484

鎢鋼刀桿 Carbide Cutting Bar

訂貨編號 Order No.	規格 Model	範圍 D Boring Range ϕ DMin- ϕ DMax	深度 DM	套筒 Sleeve	刀片 Insert	螺絲 Bolt	板手 Wrench	淨重 N.W
5007605026	CR06050-26	5-6	26	BC1606	CCGT0301..L	SB-1630TR-M1.6	T6	0.0192
5007605531	CR06055-31	5.5-6.5	31					0.0216
5007606031	CR06060-31	6-7	36					0.0228
5007606536	CR06065-36	6.5-7.5	36					0.0268
5007607036	CR06070-36	7-8	36		CCGT0401..L	SB-2040TR-M2		0.0268
5009807041	CR08070-41	7-8	41	BC1608	CCGT0401..L	SB-2040TR-M2	T6	0.0424
5009807541	CR08075-41	7.5-8.5	46					0.0448
5009808046	CR08080-46	8-9	51					0.0512
5009808551	CR08085-51	8.5-9.5	51					0.0586
5009809051	CR08090-51	9-10	51					0.0586
5009809551	CR08095-51	9.5-10.5	51					0.0590
5009810051	CR08100-51	10-11	51					0.0590
5009810551	CR08105-51	10.5-11.5	51					0.0592
5009811051	CR08110-51	11-12	51					0.0592

H•BOR63P

極細微調精搪孔系統

Micro-Finishing Cutter Fine Boring System

整組SET G2.5 12000rpm $\phi 11 \sim \phi 32$



訂貨編號 Order No.	規格 Model	範圍D Boring Range $\phi D_{Min} - \phi D_{Max}$	組合系統-主軸柄規格 Taper Shank	L1	淨重 N.W.
56801405	BT40-HBOR63P	11-32	MAS403 BT40-H63-55	55	7.5
56801506	BT50-HBOR63P	11-32	MAS403 BT50-H63-65	65	10.06
56801508	BT50-HBOR63P	11-32	MAS403 BT50-H63-85	85	10.56
56802406	SK40-HBOR63P	11-32	DIN69871A ISO40-H63-60	60	7.54
56802506	SK50-HBOR63P	11-32	DIN69871A ISO50-H63-65	65	9.26
56804606	HSK63-HBOR63P	11-32	DIN69893A HSK63-H63-67	67	7.39

套筒 Sleeve

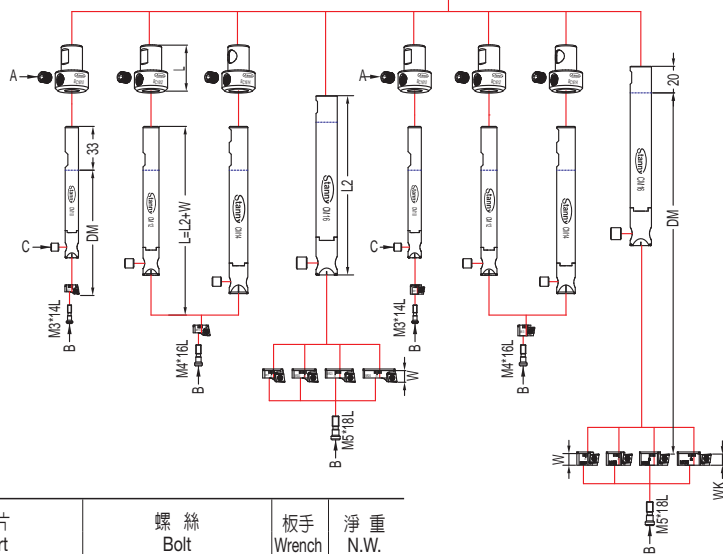
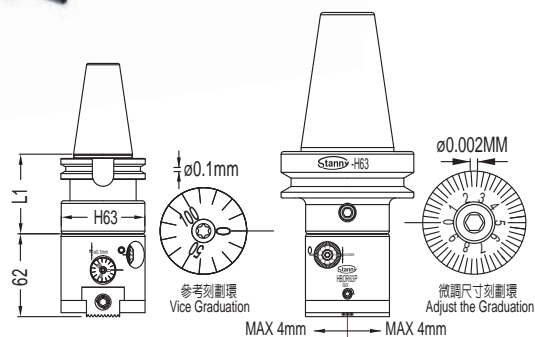
訂貨編號 Order No.	規格 Model	內徑 Inner	L	A螺絲 A-Bolt	鎢鋼柄 Carbide Shank	淨重 N.W.
50081610	BC1610	$\phi 10$			CM10	0.06
50081612	BC1612	$\phi 12$	34	M8	CM12	0.05
50081614	BC1614	$\phi 14$			CM14	0.04

鎢鋼柄 Carbide Shank

訂貨編號 Order No.	規格 Model	外徑 Outer	L2	C導程螺帽 C-NUT	B螺絲 B-Bolt	淨重 N.W.
50071009	CM10	$\phi 10$	99	NUT6	SLCS-M3	0.10
50071211	CM12	$\phi 12$	112	NUT7	SLCS-M4	0.16
50071411	CM14	$\phi 14$	115	NUT7	SLCS-M4	0.21
50071613	CM16	$\phi 16$	135	NUT9	SLCS-M5	0.35

MR (正搪) 和MK (反搪) 搪孔刀座 MR and MK (Reverse) Cutting Insert Holder

訂貨編號 Order No.	規格 Model	範圍 D Boring Range $\phi D_{Min} - \phi D_{Max}$	刀座高度		深度 DM	L	鎢鋼柄 Carbide Shank	套筒 Sleeve	刀片 Insert	螺絲 Bolt	板手 Wrench	淨重 N.W.
			W	WK								
50061114	MR11	11-14	6		72	105	CM10	BC1610	CCGT0301..L	SB-1630TR-M1.6	T6	0.002
50061317	MR13	13-17	7		86	119	CM12	BC1612	CCGT0401..L	SB-2040TR-M2	T6	0.003
50061723	MR17	17-23			89	122	CM14	BC1614				0.005
50062026	MR20	20-26							CCGT0602..L	TS25-M2.5	T8	0.006
50062329	MR23	23-29	9		124	144	CM16					0.008
50062632	MR26	26-32										0.009
50051114	MK11	11-14	7	6	59	106	CM10	BC1610	CCGT0301..R	SB-1630TR-M1.6	T6	0.002
50051317	MK13	13-17	8	7	72	120	CM12	BC1612	CCGT0401..R	SB-2040TR-M2	T6	0.003
50051723	MK17	17-23										0.005
50052026	MK20	20-26							CCGT0602..R	TS25-M2.5	T8	0.007
50052329	MK23	23-29	10	9	115	145	CM16					0.009
50052632	MK26	26-32										0.011



H•BOR63P

極細微調精搪孔系統－菱形

Micro-Finishing Cutter for Rhombus Fine Boring System

整組SET G2.5 12000rpm $\phi 11\sim\phi 150$



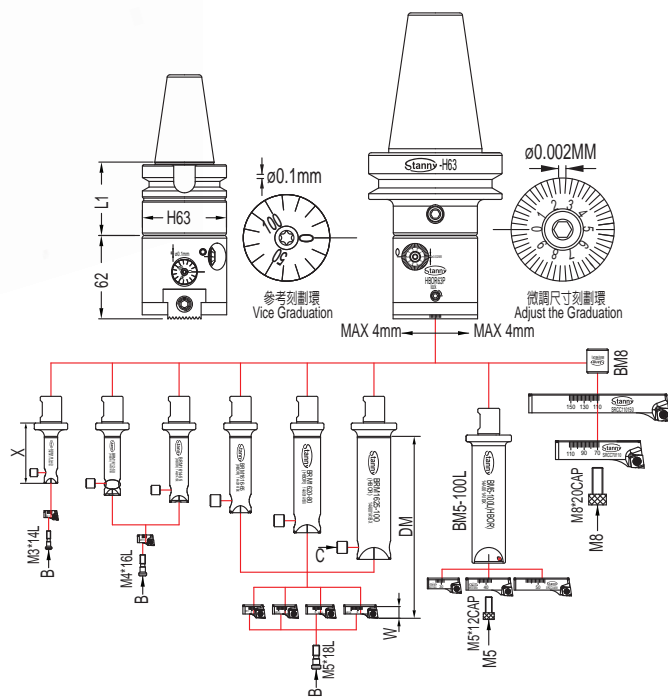
訂貨編號 Order No.	規格 Model	範圍 D Boring Range $\phi D_{Min}\sim\phi D_{Max}$	組合系統-主軸柄規格 Taper Shank	L1	淨重 N.W.
56801405RM	BT40-HBOR63P	11-150	MAS403 BT40-H63-55	55	8.4
56801506RM	BT50-HBOR63P	11-150	MAS403 BT50-H63-65	65	10.9
56801508RM	BT50-HBOR63P	11-150	MAS403 BT50-H63-85	85	11.4
56802406RM	SK40-HBOR63P	11-150	DIN69871A ISO40-H63-60	60	8.4
56802506RM	SK50-HBOR63P	11-150	DIN69871A ISO50-H63-65	65	10.0
56804606RM	HSK63-HBOR63P	11-150	DIN69893A HSK63-H63-67	67	8.3

接桿 Shank

訂貨編號 Order No.	規格 Model	X	深度 DM	C導程螺帽 C-NUT	螺絲 B-Bolt	板手 Wrench	淨重 N.W.
50171004	BRM1610-40	45	41	NUT6	SLCS-M3	T8	0.07
50171205	BRM1612-50	54	51	NUT7	SLCS-M4	T15	0.09
50171405	BRM1614-55	59	56		0.11		
50171606	BRM1616-65	67	66	NUT9	SLCS-M5	T25	0.14
50172008	BRM1620-80	82	81		0.22		
50172510	BRM1625-100	102	101		0.41		
50162510	BM5-100L	96	88+		M5×12	◇4	0.40
50501608	BM8				M8×20	◇6	0.03

搪孔刀座 Cutting Insert Holder

訂貨編號 Order No.	規格 Model	範圍 D Boring Range $\phi D_{Min}\sim\phi D_{Max}$	刀座高度 W	接桿 Shank	刀片 Insert	螺絲 Bolt	板手 Wrench	淨重 N.W.
50061114	MR11	11-14	6	BRM1610-40	CCGT0301..L	SB-1630TR-M1.6	T6	0.002
50061317	MR13	13-17	7	BRM1612-50 BRM1614-55	CCGT0401..L	SB-2040TR-M2		0.003
50061723	MR17	17-23	9	BRM1616-65 BRM1620-80 BRM1625-100	CCGT0602..L	TS25-M2.5	T8	0.005
50062026	MR20	20-26						0.006
50062329	MR23	23-29						0.008
50062632	MR26	26-32						0.009
50252938CC	SRCC2938	29-38	11	BM5-100L				0.010
50323652CC	SRCC3652	36-52	13					0.020
50404468CC	SRCC4468	44-68	13					0.030
50637011CC	SRCC70110	70-110	20	BM8	CCGT09T3..L	TS4-M4	T15	0.100
50637115CC	SRCC110150	110-150	20					0.210



H•BOR63

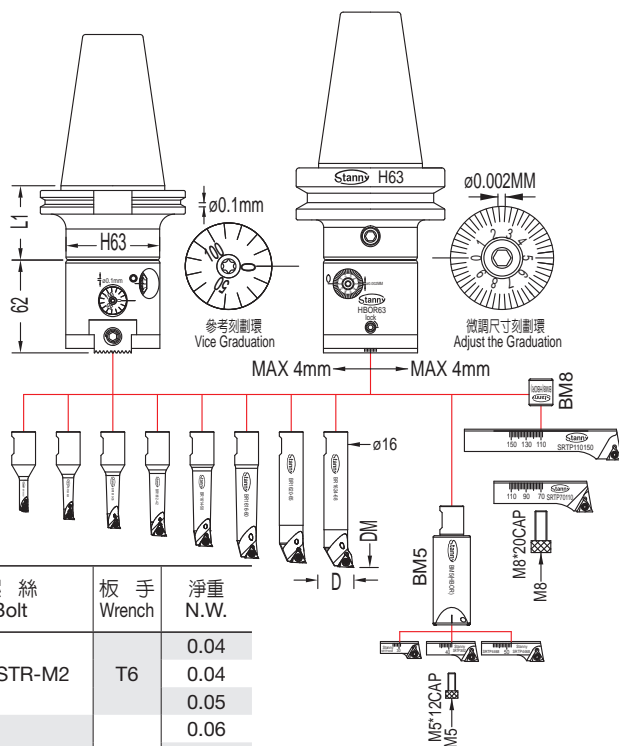
極細微調精搪孔系統

Micro-Finishing Cutter Fine Boring System

整組SET $\phi 6 \sim \phi 150$



訂貨編號 Order No.	規格 Model	範圍D Boring Range $\phi D_{Min} - \phi D_{Max}$	組合系統-主軸柄規格 Taper Shank	L1	淨重 N.W.
56900410	NT40-HBOR63	6-150	DIN2080 ISO40-H63-55	55	8.4
56900510	NT50-HBOR63	6-150	DIN2080 ISO50-H63-65	65	10.4
56901410	BT40-HBOR63	6-150	MAS403 BT40-H63-55	55	8.2
56901510	BT50-HBOR63	6-150	MAS403 BT50-H63-65	65	10.8
56901512	BT50-HBOR63	6-150	MAS403 BT50-H63-85	85	11.3
56902410	SK40-HBOR63	6-150	DIN69871A ISO40-H63-60	60	8.3
56902510	SK50-HBOR63	6-150	DIN69871A ISO50-H63-65	65	10.0
56904610	HSK63-HBOR63	6-150	DIN69893A HSK63-H63-67	67	8.2



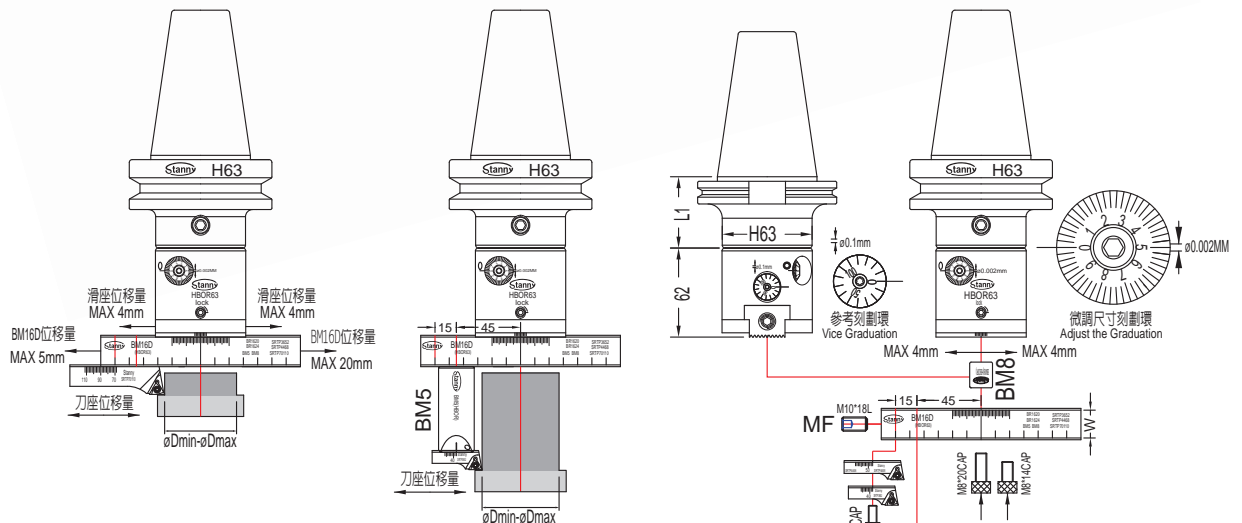
訂貨編號 Order No.	規格 Model	範圍D Boring Range $\phi D_{Min} - \phi D_{Max}$	深度 DM	刀片 Insert	螺絲 Bolt	板手 Wrench	淨重 N.W.
50160621	BR1606-21	6-9	21	WBG0601..L			0.04
50160828	BR1608-28	8-11	28	TBGT0601..L	SB-1STR-M2	T6	0.04
50161035	BR1610-35	10-13	35				0.05
50161242	BR1612-42	12-15	42				0.06
50161450	BR1614-50	14-17	50	TPGH0902..L	SB-2TR-M2.5		0.07
50161660	BR1616-60	16-20	60			T8	0.09
50162065	BR1620-65	20-24	65				0.11
50162468	BR1624-68	24-28	68	TPGH1103..L	SB-3TR-M3		0.12
50162505	BM5		60 + SRTP2938 or SRTP3652 or SRTP4468		M5x12	4	0.25
50252938	SRTP2938	29-38	+10				0.01
50323652	SRTP3652	36-52	+12	TPGH0902..L	SB-2TR-M2.5	T8	0.02
50404468	SRTP4468	44-68	+12				0.03
50501608	BM8		+SRTP70110 or SRTP110150		M8x20	6	0.03
50637011	SRTP70110	70-110	+20				0.10
50637115	SRTP110150	110-150	+20	TPGH1103..L	SB-3TR-M3	T8	0.21

H • BOR63 + BM16D

極細微調精搪孔系統—搪外徑

Micro-Finishing Cutter Fine Boring System - Cutting Outer Diameter

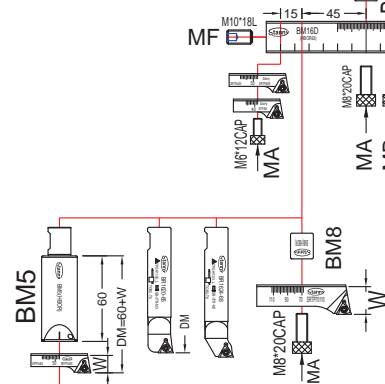
0~ø100



註: “反轉” 切削搪外徑

Remark: **Reverse** Cutting Outer Diameter Boring

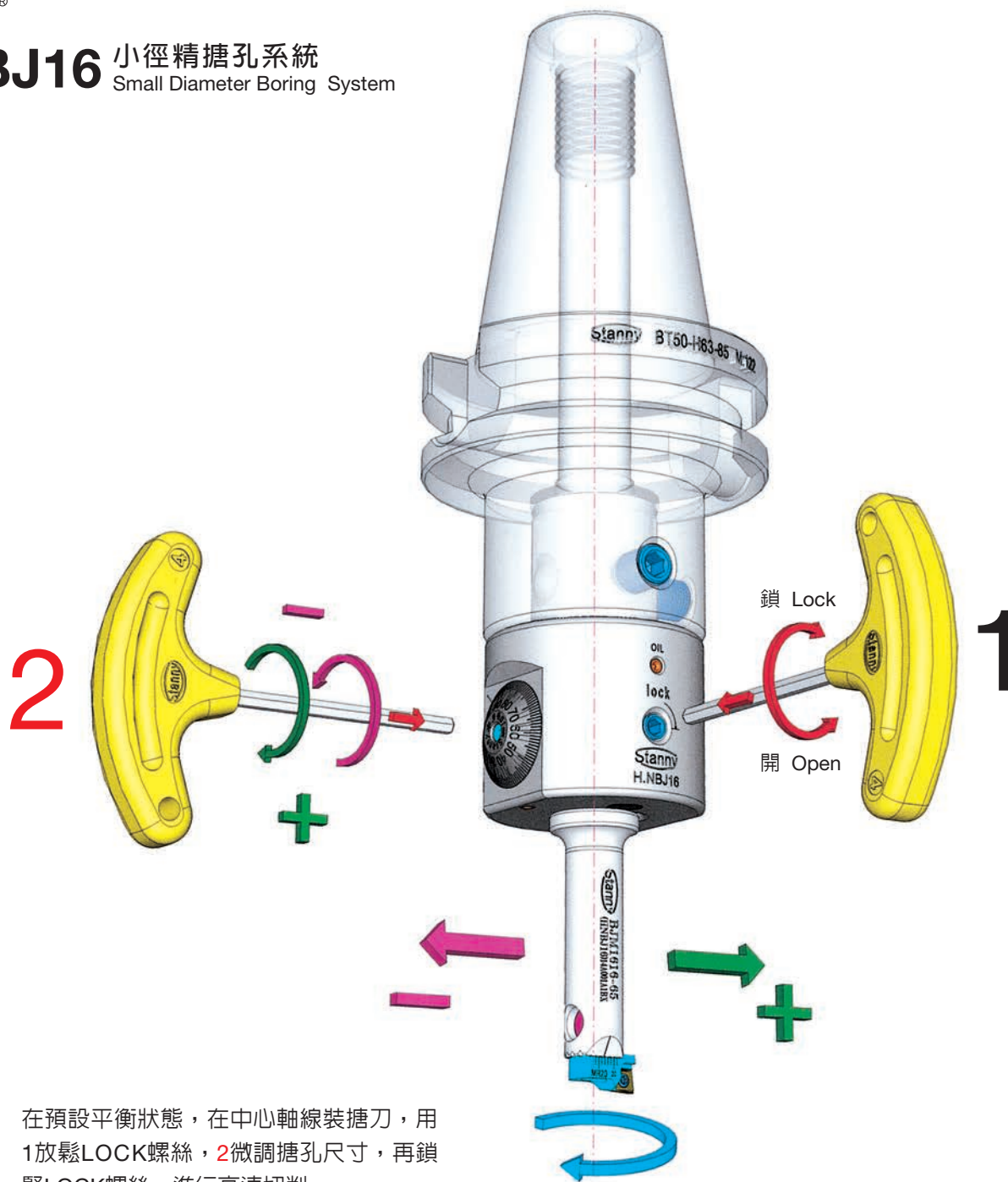
訂貨編號 Order No.	規格 Model	範圍 D Boring Range øDmin-øDMax	深度		MA Bolt	MB Bolt	淨重 N.W
			DM	W			
50630160	BM16D			20	BM8	M8×14	0.46
50323652	SRTP3652	20-102		12	M6×12		0.02
50404468	SRTP4468	4-94		12	M6×12		0.03
50162505	BM5	+SRTP3652 or +SRTP4468			M5×12		0.25
50323652	+SRTP3652	0-72		72			0.02
50404468	+SRTP4468	0-64		72			0.03
50162065	BR1620-65	22-88		65			0.11
50162468	BR1624-68	18-84		68			0.12
50637011	SRTP70110	0-68		19	BM8		0.10





H•NBJ16 小徑精搪孔系統

Small Diameter Boring System



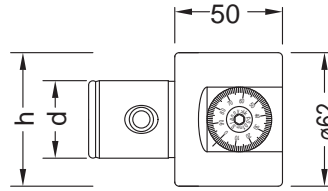
在預設平衡狀態，在中心軸線裝搪刀，用1放鬆LOCK螺絲，2微調搪孔尺寸，再鎖緊LOCK螺絲，進行高速切削。

- The boring tools are pre-balance.
1. Loosen locking bolt
 2. Rotate the graduation to adjust the size, then tighten the locking bolt.

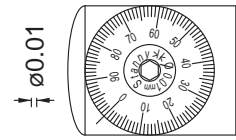
H • NBJ16

小徑精搪孔刀 Small Diameter Boring System

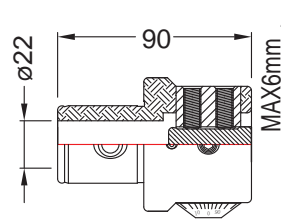
精搪孔刀本體 Body
精搪孔刀桿 Cutting Bar



精搪孔刀本體
Body

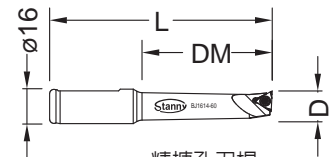


微調尺寸刻劃環
Adjust the Graduation

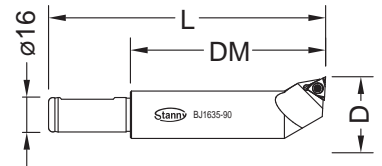


H • NBJ16 小徑精搪孔刀—精搪孔刀本體 Body for H • NBJ16 Boring System

訂貨編號 Order No.	規格 Model	h	d	行程 Front	刀徑 Cutting Bar	板手 Wrench	淨重 N.W.
16300050	HNB16	63	36	6	ø 16	◻ 4	1.20



精搪孔刀桿
Cutting Bar



H • NBJ16 小徑精搪孔刀—精搪孔刀桿 Cutting Bar for H • NBJ16 Boring System

訂貨編號 Order No.	規格 Model	範圍 D Boring Range øDmin-øDmax	深度 DM	L	系統 System	刀片 Insert	螺絲 Bolt	板手 Wrench	淨重 N.W.
16010624	BJ1606-24	6-9	24	73	HNB16	WBG0601..L	SB-1STR-M2	T6	0.08
16010832	BJ1608-32	8-11	32	80		TBGT0601..L			0.08
16011040	BJ1610-40	10-13	40	87		0.08			
16011253	BJ1612-53	12-15	53	98		TPGH0902..L	SB-2TR-M2.5	T8	0.10
16011460	BJ1614-60	14-17	60	103					0.10
16011668	BJ1616-68	16-21	68	110					0.12
16012083	BJ1620-83	20-26	83	125		TPGH1103..L	SB-3TR-M3	T8	0.20
16012590	BJ1625-90	25-31	90	128					0.30
16013090	BJ1630-90	30-36	90	128					0.32
16013590	BJ1635-90	35-41	90	128					0.32
16014090	BJ1640-90	40-46	90	128					0.38
16014590	BJ1645-90	45-51	90	128					0.38

H•NBJ16P

小徑精搪孔系統 Small Diameter Boring System

整組SET G2.5 12000rpm $\phi 5 \sim \phi 11$



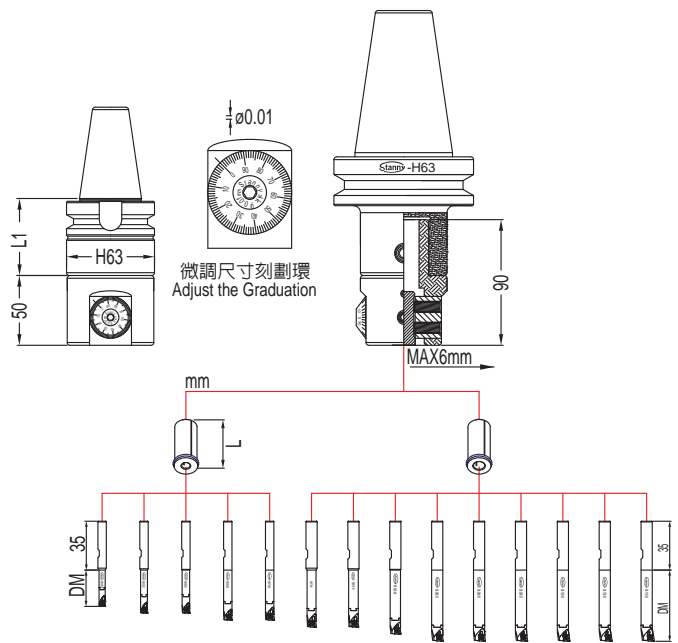
訂貨編號 Order No.	規格 Model	範圍D Boring Range ϕ Min- ϕ Max	組合系統-主軸柄規格 Taper Shank	L1	淨重 N.W.
16811410CR	BT40-HNBJ16P	5-11	MAS403 BT40-H63-55	55	6.85
16811510CR	BT50-HNBJ16P	5-11	MAS403 BT50-H63-65	65	9.41
16811512CR	BT50-HNBJ16P	5-11	MAS403 BT50-H63-85	85	9.91
16812410CR	SK40-HNBJ16P	5-11	DIN69871A ISO40-H63-60	60	6.89
16812510CR	SK50-HNBJ16P	5-11	DIN69871A ISO50-H63-65	65	8.61
16814610CR	HSK63-HNBJ16P	5-11	DIN69893A HSK63-H63-67	67	6.74

套筒 Sleeve

訂貨編號 Order No.	規格 Model	內徑 Inner	L	鎢鋼刀桿 Carbide Cutting Bar	淨重 N.W.
16081606	C1606	$\phi 6$	40	CR06...	0.0542
16081608	C1608	$\phi 8$		CR08...	0.0484

鎢鋼刀桿 Carbide Cutting Bar

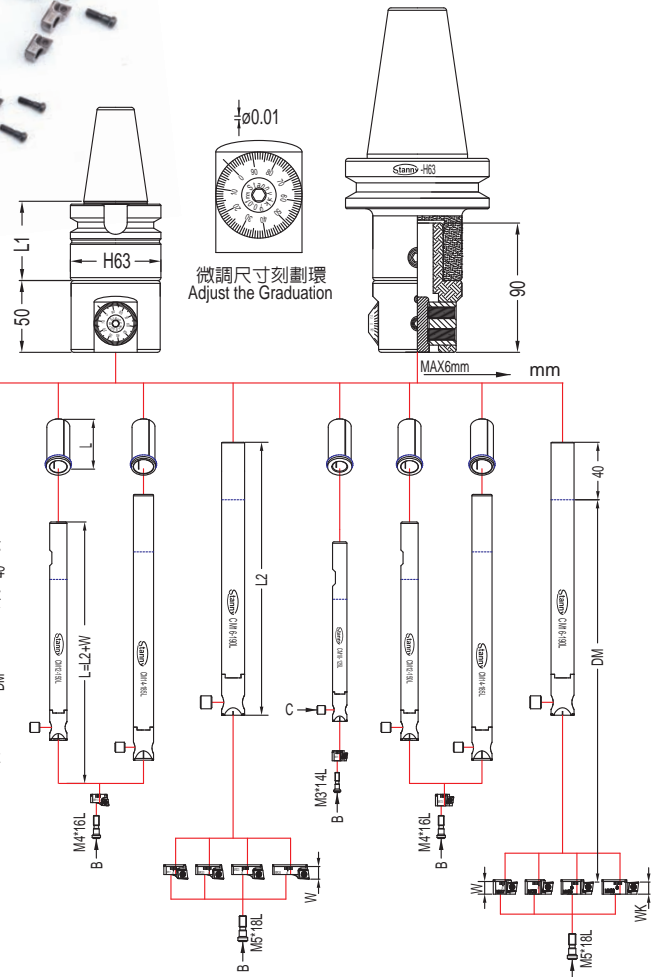
訂貨編號 Order No.	規格 Model	範圍D Boring Range ϕ Min- ϕ Max	深度 DM	套筒 Sleeve	刀片 Insert	螺絲 Bolt	扳手 Wrench	淨重 N.W.
5007605026	CR06050-26	5-6	26	C1606	CCGT0301..L	SB-1630TR-M1.6	T6	0.0192
5007605531	CR06055-31	5.5-6.5	31					0.0216
5007606031	CR06060-31	6-7	31					0.0228
5007606536	CR06065-36	6.5-7.5	36					0.0268
5007607036	CR06070-36	7-8	36					0.0268
5009807041	CR08070-41	7-8	41	C1608	CCGT0401..L	SB-2040TR-M2	0.0424	
5009807541	CR08075-41	7.5-8.5	41				0.0448	
5009808046	CR08080-46	8-9	46				0.0512	
5009808551	CR08085-51	8.5-9.5	51				0.0586	
5009809051	CR08090-51	9-10	51				0.0586	
5009809551	CR08095-51	9.5-10.5	51				0.0590	
5009810051	CR08100-51	10-11	51				0.0590	
5009810551	CR08105-51	10.5-11.5	51				0.0592	
5009811051	CR08110-51	11-12	51				0.0592	



H•NBJ16P

小徑精搪孔系統 Small Diameter Boring System

整組SET G2.5 12000rpm $\phi 11 \sim \phi 32$



訂貨編號 Order No.	規格 Model	範圍D Boring Range ϕ DMin- ϕ DMax	組合系統-主軸柄規格 Taper Shank	L1	淨重 N.W.
16811410	BT40-HNBJ16P	11-32	MAS403 BT40-H63-55	55	7.50
16811510	BT50-HNBJ16P	11-32	MAS403 BT50-H63-65	65	10.10
16811512	BT50-HNBJ16P	11-32	MAS403 BT50-H63-85	85	10.60
16812410	SK40-HNBJ16P	11-32	DIN69871A ISO40-H63-60	60	7.60
16812510	SK50-HNBJ16P	11-32	DIN69871A ISO50-H63-65	65	9.30
16814610	HSK63-HNBJ16P	11-32	DIN69893A HSK63-H63-67	67	7.40

套筒 Sleeve

訂貨編號 Order No.	規格 Model	內徑 Inner	L	鎢鋼柄 Carbide Shank	淨重 N.W.
16081610	C1610	$\phi 10$	40	CM10-125L	0.0360
16081612	C1612	$\phi 12$	40	CM12-150L	0.0264
16081614	C1614	$\phi 14$	40	CM14-185L	0.0142

鎢鋼柄 Carbide Shank

訂貨編號 Order No.	規格 Model	外徑 Outer	L2	C導程螺帽 C-NUT	B螺絲 B-Bolt	淨重 N.W.
50071012	CM10-125L	$\phi 10$	125	NUT6	SLCS-M3	0.1282
50071215	CM12-150L	$\phi 12$	150	NUT7	SLCS-M4	0.2244
50071418	CM14-185L	$\phi 14$	185	NUT7	SLCS-M4	0.3818
50071619	CM16-190L	$\phi 16$	190	NUT9	SLCS-M5	0.5006

MR (正搪) 和MK (反搪) 搪孔刀座 MR and MK (Reverse) Cutting Insert Holder

訂貨編號 Order No.	規格 Model	範圍 D Boring Range ϕ DMin- ϕ DMax	刀座高度		深度 DM	L	鎢鋼柄 Carbide Shank	套筒 Sleeve	刀片 Insert	螺絲 Bolt	扳手 Wrench	淨重 N.W.
			W	WK								
50061114	MR11	11-14	6		72	131	CM10-125L	C1610	CCGT0301..L	SB-1630TR-M1.6	T6	0.002
50061317	MR13	13-17	7		86	157	CM12-150L	C1612	CCGT0401..L	SB-2040TR-M2	T6	0.003
50061723	MR17	17-23			192	192	CM14-185L	C1614				0.005
50062026	MR20	20-26	9		124	199	CM16-190L		CCGT0602..L	TS25-M2.5	T8	0.006
50062329	MR23	23-29										0.008
50062632	MR26	26-32										0.009
50051114	MK11	11-14	7	6	59	132	CM10-125L	C1610	CCGT0301..R	SB-1630TR-M1.6	T6	0.002
50051317	MK13	13-17	8	7	72	158	CM12-150L	C1612	CCGT0401..R	SB-2040TR-M2	T6	0.003
50051723	MK17	17-23			193	193	CM14-185L					0.005
50052026	MK20	20-26	10	9	115	200	CM16-190L		CCGT0602..R	TS25-M2.5	T8	0.007
50052329	MK23	23-29										0.009
50052632	MK26	26-32										0.011

H•NBJ16P

小徑精搪孔系統－菱形

Small Diameter for Rhombus Boring System

整組SET G2.5 12000rpm $\phi 11\sim\phi 68$



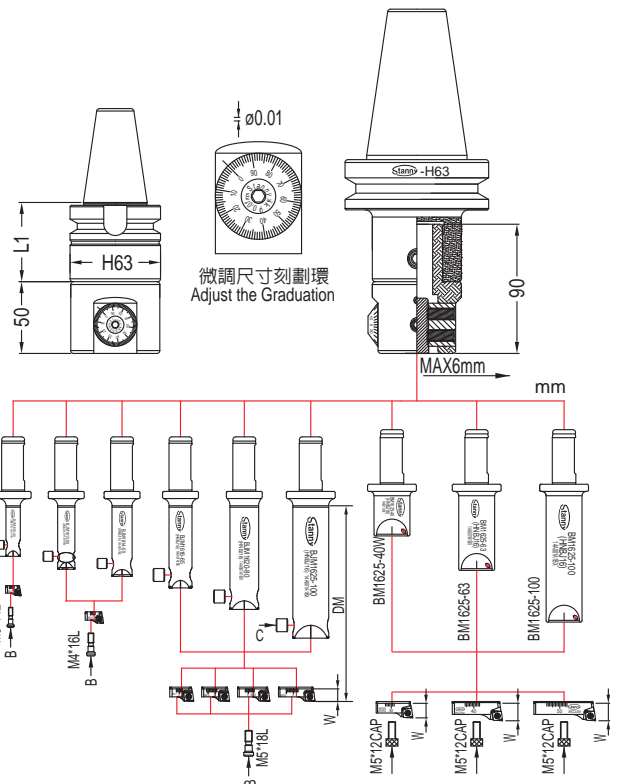
訂貨編號 Order No.	規格 Model	範圍D Boring Range $\phi D_{Min}\sim\phi D_{Max}$	組合系統-主軸柄規格 Taper Shank	L1	淨重 N.W.
16811410JM	BT40-HNBJ16P	11-68	MAS403 BT40-H63-55	55	8.50
16811510JM	BT50-HNBJ16P	11-68	MAS403 BT50-H63-65	65	11.05
16811512JM	BT50-HNBJ16P	11-68	MAS403 BT50-H63-85	85	11.55
16812410JM	SK40-HNBJ16P	11-68	DIN69871A ISO40-H63-60	60	8.53
16812510JM	SK50-HNBJ16P	11-68	DIN69871A ISO50-H63-65	65	10.25
16814610JM	HSK63-HNBJ16P	11-68	DIN69893A HSK63-H63-67	67	8.38

接桿 Shank

訂貨編號 Order No.	規格 Model	X	深度 DM	C導程螺帽 C-NUT	螺絲 B-Bolt	扳手 Wrench	淨重 N.W.
16171004	BJM1610-40	45	41	NUT6	SLCS-M3	T8	0.12
16171205	BJM1612-50	54	51	NUT7	SLCS-M4	T15	0.14
16171405	BJM1614-55	59	56				0.16
16171606	BJM1616-65	67	66				0.19
16172008	BJM1620-80	82	81	NUT9	SLCS-M5	T25	0.27
16172510	BJM1625-100	102	101				0.46
16025040	BM1625-40	36	40		M5×12	◇4	0.20
16025063	BM1625-63	60	63				0.29
16025100	BM1625-100	96	100				0.43

搪孔刀座 Cutting Insert Holder

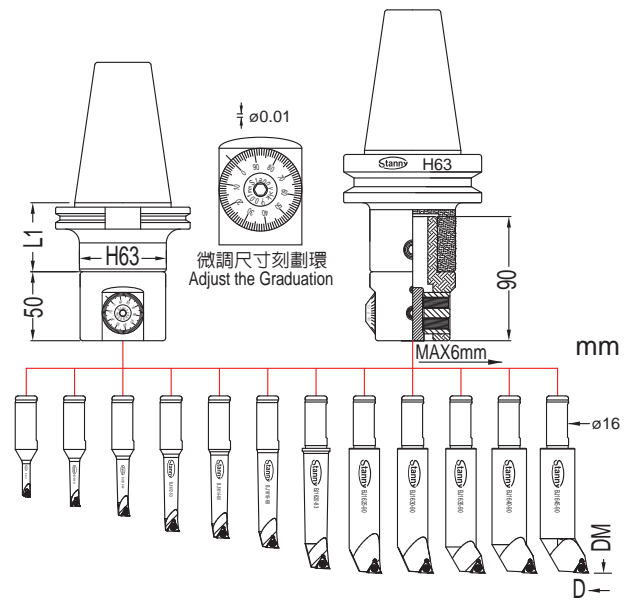
訂貨編號 Order No.	規格 Model	範圍D Boring Range $\phi D_{Min}\sim\phi D_{Max}$	刀座高度 W	接桿 Shank	刀片 Insert	螺絲 Bolt	扳手 Wrench	淨重 N.W.
50061114	MR11	11-14	6	BJM1610-40	CCGT0301..L	SB-1630TR-M1.6	T6	0.002
50061317	MR13	13-17	7	BJM1612-50 BJM1614-55	CCGT0401..L	SB-2040TR-M2		0.003
50061723	MR17	17-23	9	BJM1616-65 BJM1620-80 BJM1625-100	CCGT0602..L	TS25-M2.5		0.005
50062026	MR20	20-26	9				0.006	
50062329	MR23	23-29	9				0.008	
50062632	MR26	26-32	9				T8	0.009
50252938CC	SRCC2938	29-38	11	BM1625-40				0.010
50323652CC	SRCC3652	36-52	13	BM1625-63				0.020
50404468CC	SRCC4468	44-68	13	BM1625-100				0.030



H•NBJ16

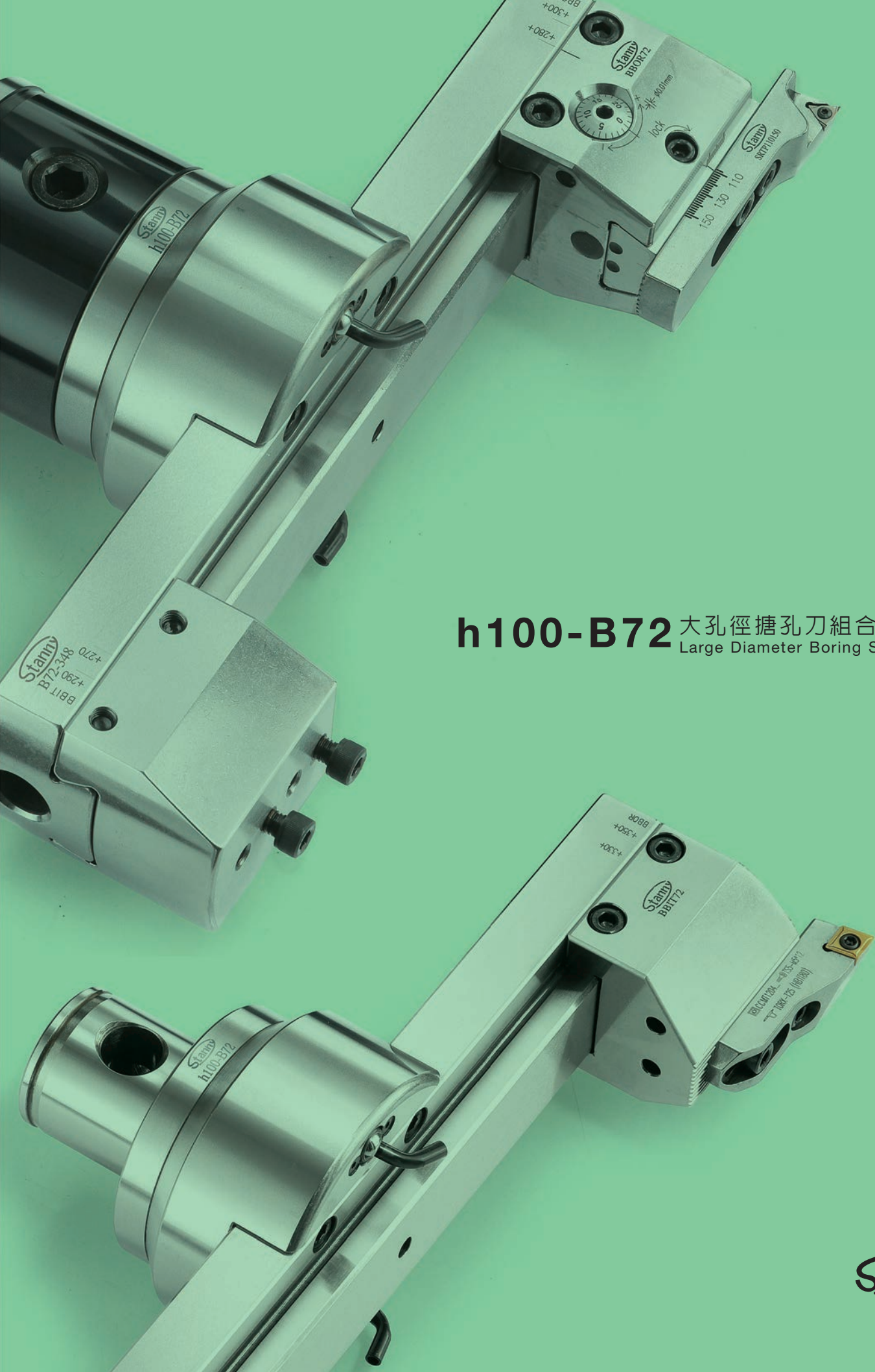
小徑精搪孔系統 Small Diameter Boring System

整組 SET $\phi 6 \sim \phi 51$



訂貨編號 Order No.	規格 Model	範圍 D Boring Range $\phi D_{Min} - \phi D_{Max}$	組合系統-主軸柄規格 Taper Shank	L1	淨重 N.W
16910410	NT40-HNBJ16	6-51	DIN2080 ISO40-H63-55	55	9.3
16910510	NT50-HNBJ16	6-51	DIN2080 ISO50-H63-65	65	11.2
16911410	BT40-HNBJ16	6-51	MAS403 BT40-H63-55	55	9.1
16911510	BT50-HNBJ16	6-51	MAS403 BT50-H63-65	65	11.7
16911512	BT50-HNBJ16	6-51	MAS403 BT50-H63-85	85	12.2
16912410	SK40-HNBJ16	6-51	DIN69871A ISO40-H63-60	60	9.1
16912510	SK50-HNBJ16	6-51	DIN69871A ISO50-H63-65	65	10.9
16914610	HSK63-HNBJ16	6-51	DIN69893A HSK63-H63-67	67	9.0

訂貨編號 Order No.	規格 Model	範圍 D Boring Range $\phi D_{Min} - \phi D_{Max}$	深度 DM	刀片 Insert	螺絲 Bolt	板手 Wrench	淨重 N.W
16010624	BJ1606-24	6-9	24	WBGT0601..L	SB-1STR-M2	T6	0.08
16010832	BJ1608-32	8-11	32	TBGT0601..L			0.08
16011040	BJ1610-40	10-13	40				0.08
16011253	BJ1612-53	12-15	53		SB-2TR-M2.5	T8	0.10
16011460	BJ1614-60	14-17	60	TPGH0902..L			0.10
16011668	BJ1616-68	16-21	68		SB-3TR-M3	T8	0.12
16012083	BJ1620-83	20-26	83				0.20
16012590	BJ1625-90	25-31	90				0.30
16013090	BJ1630-90	30-36	90				0.32
16013590	BJ1635-90	35-41	90	TPGH1103..L			0.32
16014090	BJ1640-90	40-46	90				0.38
16014590	BJ1645-90	45-51	90				0.38

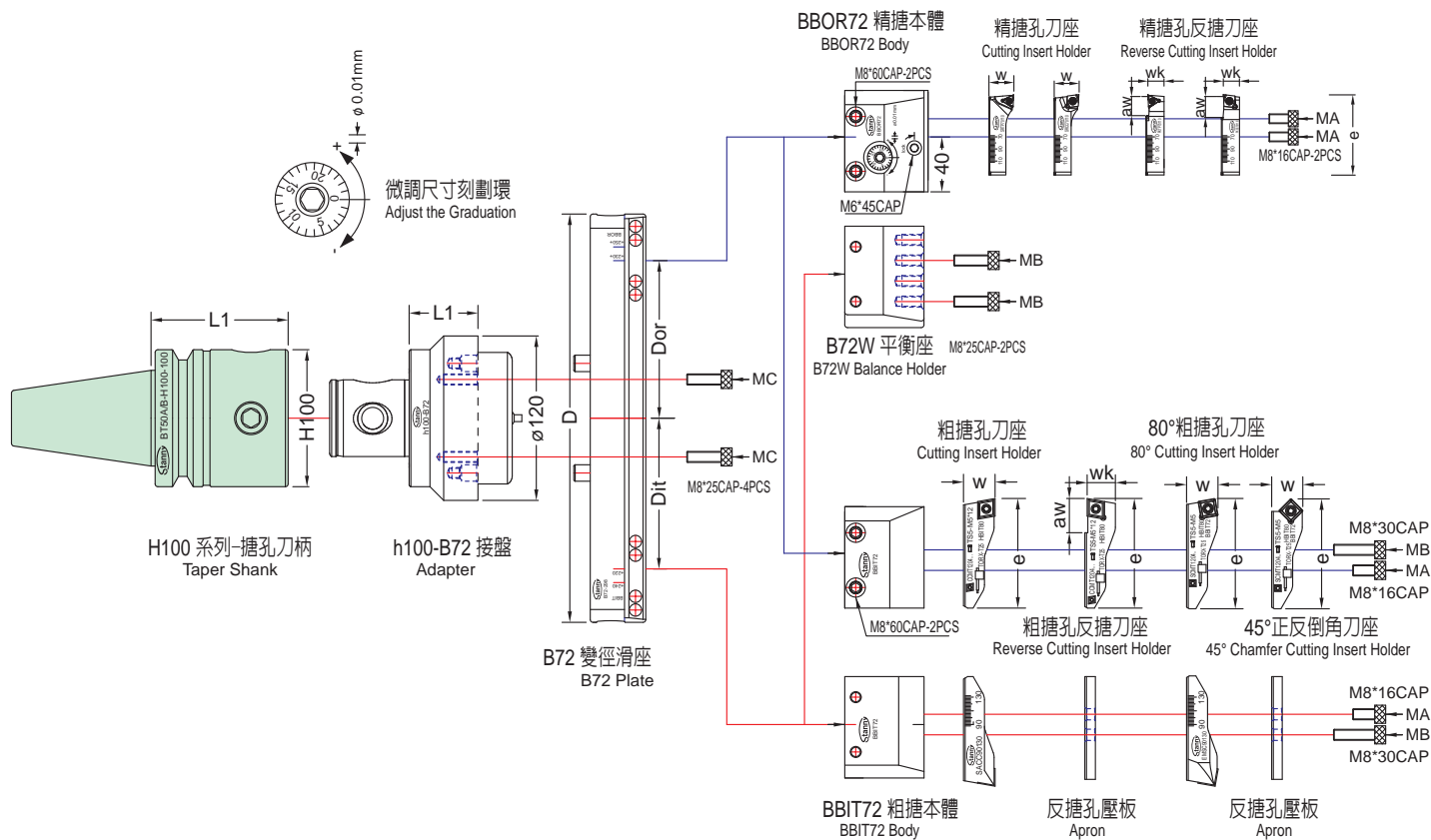


h100-B72 大孔徑搪孔刀組合系統 
Large Diameter Boring System

h100-B72

大孔徑搪孔刀組合系統 Large Diameter Boring System

- 搪孔刀柄 Taper Shank
- 延長接桿 Extension Spacer
- 接盤 Adapter
- 變徑滑座 Plate
- 大孔徑粗搪孔刀本體 Large Diameter Body
- 粗搪孔刀座 Cutting Insert Holder
- 80°粗搪孔刀座 80° Cutting Insert Holder
- 45°正反倒角粗搪孔刀座 45° Chamfer Cutting Insert Holder
- 粗搪孔反搪刀座 Reverse Cutting Insert Holder
- 大孔徑精搪孔刀本體 Large Diameter Body
- 平衡座 Balance Holder
- 精搪孔刀座 Cutting Insert Holder
- 精搪孔反搪刀座 Reverse Cutting Insert Holder



BT50-H100-100

規格：請參閱P.19
Specification please refer to P.19



DIN69871A
ISO50-H100-100

規格：請參閱P.21
Specification please refer to P.21



h100H100-100

規格：請參閱P.24
Specification please refer to P.24

h100-B72

大孔徑搪孔刀組合系統 Large Diameter Boring System

搪孔刀柄 Taper Shank

延長接桿 Extension Spacer

■ 接盤 Adapter

■ 變徑滑座 Plate

大孔徑粗搪孔刀本體 Large Diameter Body

粗搪孔刀座 Cutting Insert Holder

80°粗搪孔刀座 80° Cutting Insert Holder

45°正反倒角粗搪孔刀座 45° Chamfer Cutting Insert Holder

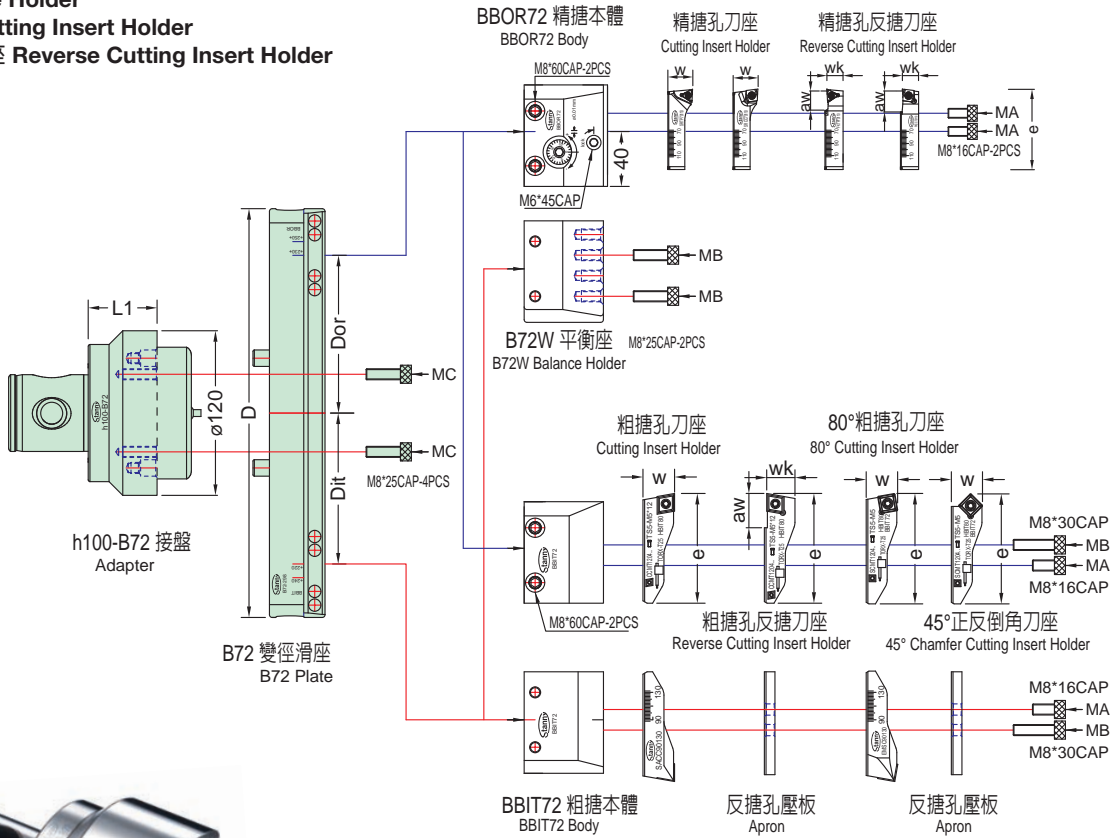
粗搪孔反搪刀座 Reverse Cutting Insert Holder

大孔徑精搪孔刀本體 Large Diameter Body

平衡座 Balance Holder

精搪孔刀座 Cutting Insert Holder

精搪孔反搪刀座 Reverse Cutting Insert Holder



**h100-B72接盤
Adapter for B•BIT and B•BOR Large Diameter Boring System**

訂貨編號 Order No.	規格 Model	L1	MC螺絲 MC Bolt	淨重 N.W.
41720000	h100-B72	50	M8x25-4PCS	4.80



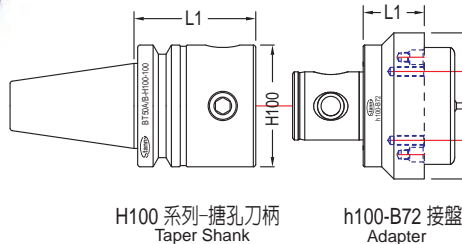
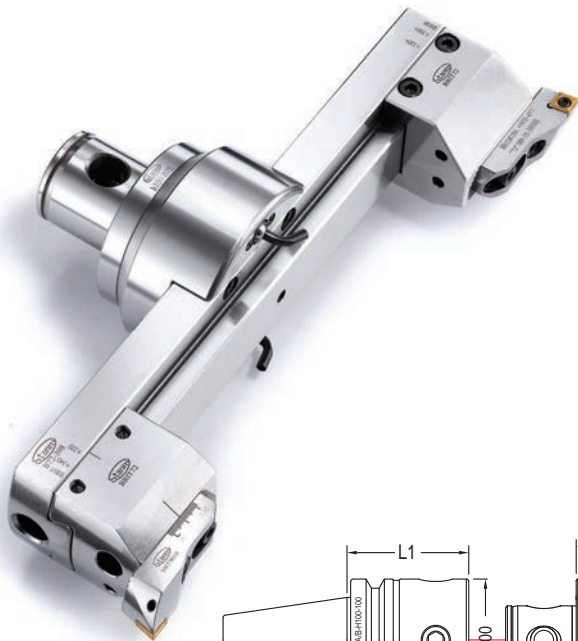
**B72 變徑滑座
Plate for B•BIT and B•BOR Large Diameter Boring System**

訂貨編號 Order No.	規格 Model	長度 D	BBOR Dor	BBIT Dit	淨重 N.W.
70172148	B72-148	148	40	35	2.15
70272198	B72-198	198	65	60	3.00
70372248	B72-248	248	90	85	3.80
70472298	B72-298	298	115	110	4.60
70572348	B72-348	348	140	135	5.40
70672398	B72-398	398	165	160	6.20

註:變徑滑座設有兩組測孔,相距10mm,可增加 $\phi 20$ mm搪孔範圍,使搪孔範圍更附彈性。
Remark: Plate has four holes,distance 10mm and the boring range increase $\phi 20$ mm.

h100-B72

大孔徑搪孔刀組合系統 Large Diameter Boring System

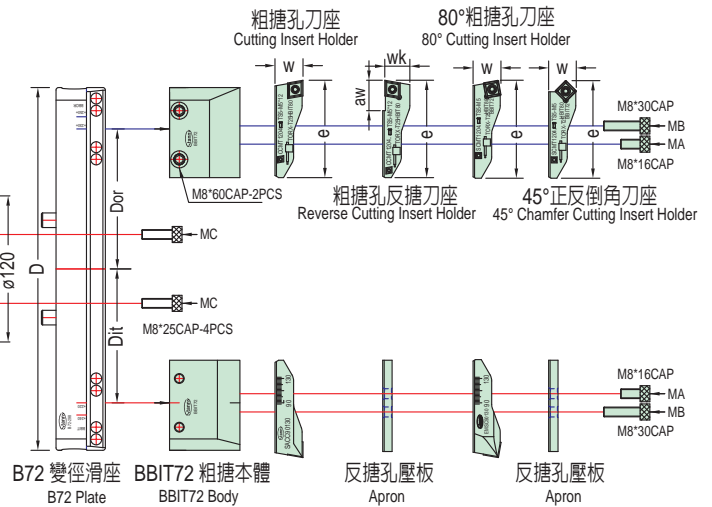


H100 系列-搪孔刀柄
Taper Shank

h100-B72 接盤
Adapter

搪孔刀柄 Taper Shank
延長接桿 Extension Spacer
接盤 Adapter
變徑滑座 Plate

- 大孔徑粗搪孔刀本體 Large Diameter Body
- 粗搪孔刀座 Cutting Insert Holder
- 粗搪孔反搪刀座 Reverse Cutting Insert Holder
- 80°粗搪孔刀座 80° Cutting Insert Holder
- 45°正反倒角粗搪孔刀座 45° Chamfer Cutting Insert Holder



B • BIT72 大孔徑粗搪孔本體

Body for Large Diameter Adjustable Twin Cutter Roughing

訂貨編號 Order No.	規格 Model	移動量 Mobile	MA Bolt	MB Bolt	扳手 Wrench	淨重 N.W.
70007372	BBIT72	20	M8x16	M8x30	六角 4 六角 6	1.44

B • BIT72 粗搪孔刀座

Cutting Insert Holder for B • BIT Large Diameter Adjustable Twin Cutter Roughing

訂貨編號 Order No.	規格 Model	W	e	刀片 Insert	螺絲 Bolt	扳手 Wrench	淨重 N.W.
30809013A	SACC90130	22.6	79.5	CCMT1204..	TS5-M5	T25	0.17
30809013B	SBCC90130		0.18				
30813017A	SACC130170		99.5				0.23
30813017B	SBCC130170		0.24				

B • BIT72 粗搪孔反搪刀座

Reverse Cutting Insert Holder for B • BIT Large Diameter Adjustable Single Cutter Roughing

訂貨編號 Order No.	規格 Model	aw	wk	e	刀片 Insert	螺絲 Bolt	扳手 Wrench	淨重 N.W.
30809013K	RKCC90130	22	22	79.5	CCMT1204..	TS5-M5	T25	0.18
30813017K	RKCC130170	44	22	99.5				0.25

B • BIT72 80°粗搪孔刀座

80° Cutting Insert Holder for B • BIT Adjustable Twin Cutter Roughing

訂貨編號 Order No.	規格 Model	W	e	刀片 Insert	螺絲 Bolt	扳手 Wrench	淨重 N.W.
30809013M	EMSC90130	23.1	80.5	SCMT1204..	TS5-M5	T25	0.17
30813017M	EMSC130170		100.5				0.23

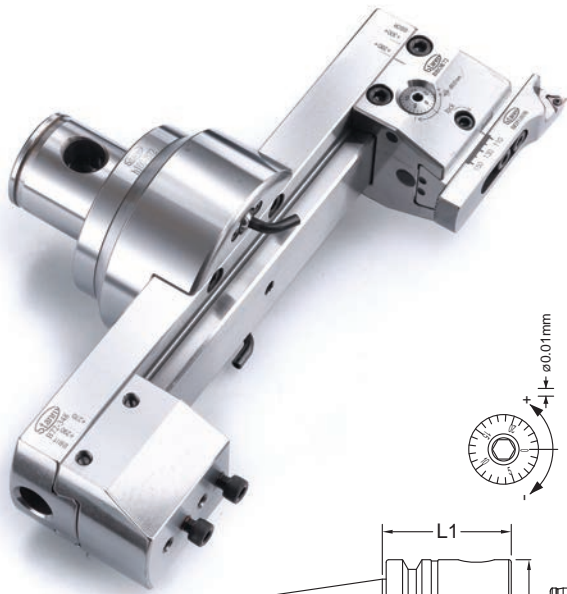
B • BIT72 45°正反倒角粗搪孔刀座

45° Chamfer Cutting Insert Holder for B • BIT Adjustable Single Cutter Roughing

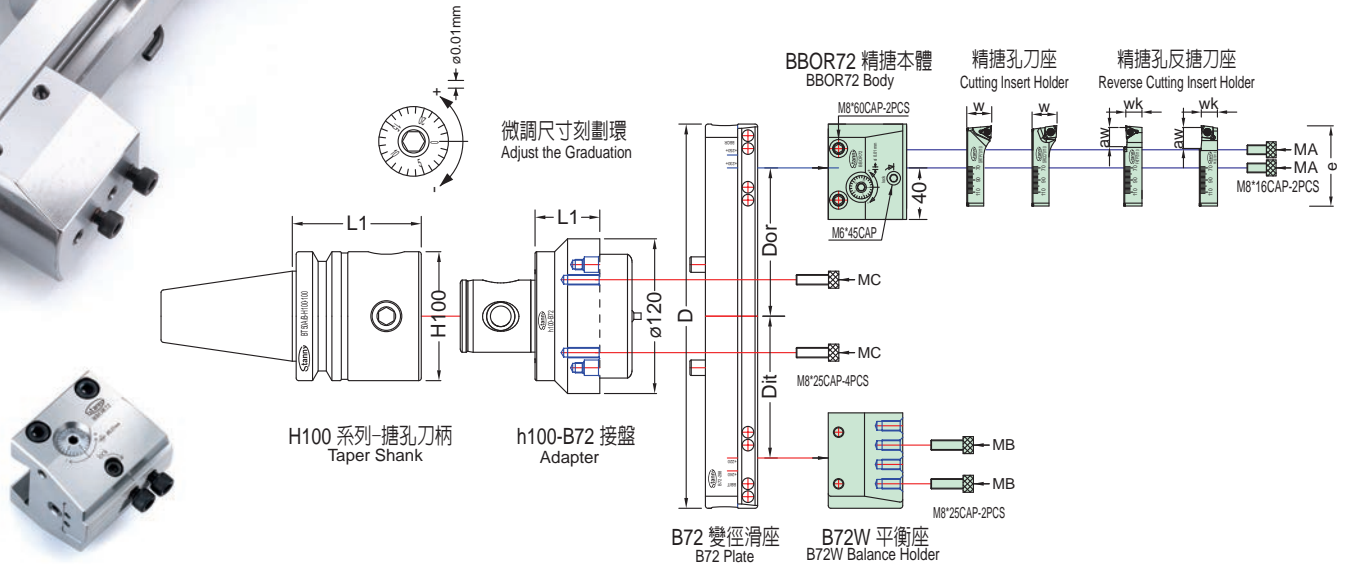
訂貨編號 Order No.	規格 Model	W	e	刀片 Insert	螺絲 Bolt	扳手 Wrench	淨重 N.W.
30809013W	IWSC90130	23.1	80.5	SCMT1204..	TS5-M5	T25	0.16
30813017W	IWSC130170		100.5				0.22

h100-B72

大孔徑搪孔刀組合系統 Large Diameter Boring System



- 搪孔刀柄 Taper Shank
- 延長接桿 Extension Spacer
- 接盤 Adapter
- 變徑滑座 Plate
- 大孔徑精搪孔刀本體 Large Diameter Body
- 平衡座 Balance Holder
- 精搪孔刀座 Cutting Insert Holder
- 菱形精搪孔刀座 Rhombus Cutting Insert Holder
- 精搪孔反搪刀座 Reverse Cutting Insert Holder
- 菱形精搪孔反搪刀座 Rhombus Reverse Cutting Insert Holder



B • BOR72 大孔徑微調精搪孔本體+B72W平衡座 Body and Balance Holder for Large Diameter Finishing Cutter Fine Boring System

訂貨編號 Order No.	規格 Model	移動量 Mobile	MA Bolt	MB Bolt	板手 Wrench	淨重 N.W.
70007572	BBOR72	28.5	M8x16		○5 ○6	1.65
70007472	B72W			M8x25		1.59

B • BOR72 精搪孔刀座 Cutting Insert Holder for B•BOR Large Diameter Finishing Cutter Fine Boring System

訂貨編號 Order No.	規格 Model	W	e	刀片 Insert	螺絲 Bolt	板手 Wrench	淨重 N.W.
50637011	SRTP70110	20	66	TPGH1103..L	SB-3TR-M3	T8	0.10
50637115	SRTP110150	20	106				0.21

B • BOR72 菱形精搪孔刀座 Rhombus Cutting Insert Holder for B•BOR Large Diameter Finishing Cutter Fine Boring System

訂貨編號 Order No.	規格 Model	W	e	刀片 Insert	螺絲 Bolt	板手 Wrench	淨重 N.W.
50637011CC	SRCC70110	20	67	CCGT09T3..L	TS4-M4	T15	0.10
50637115CC	SRCC110150	20	107				0.20

B • BOR72 精搪孔反搪刀座 Reverse Cutting Insert Holder for B•BOR Large Diameter Finishing Cutter Fine Boring System

訂貨編號 Order No.	規格 Model	aw	wk	e	刀片 Insert	螺絲 Bolt	板手 Wrench	淨重 N.W.
50637011K	FKTP70110	16	15	66	TPGH1103..R	SB-3TR-M3	T8	0.10
50637115K	FKTP110150	25	15	106				0.21

B • BOR72 菱形精搪孔反搪刀座 Rhombus Reverse Cutting Insert Holder for B•BOR Large Diameter Finishing Cutter Fine Boring System

訂貨編號 Order No.	規格 Model	aw	wk	e	刀片 Insert	螺絲 Bolt	板手 Wrench	淨重 N.W.
50637011KC	FKCC70110	16	15	67	CCGT09T3..R	TS4-M4	T15	0.10
50637115KC	FKCC110150	28	15	107				0.20

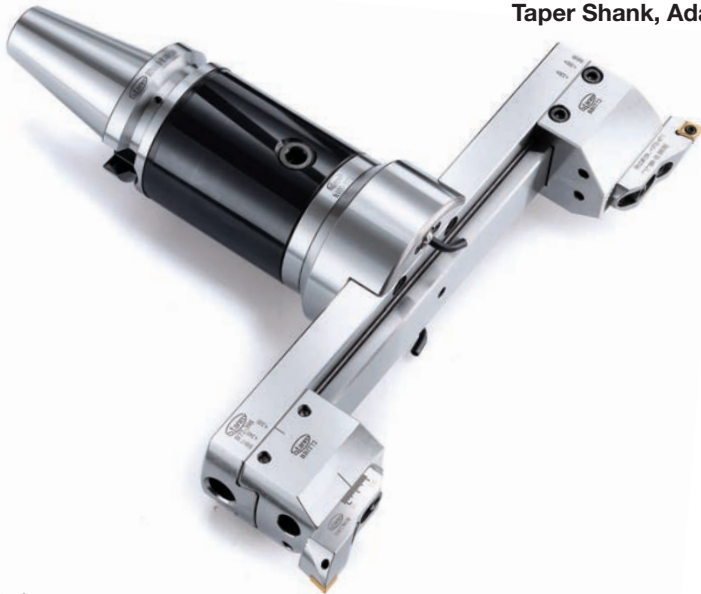
B • BIT72

大孔徑雙刃粗搪孔刀組合系統--AB type

Large Diameter Adjustable Twin Cutter Roughing and Semi-Finishing Boring System

搪孔刀柄、接盤、變徑滑座、大孔徑粗搪孔刀本體、粗搪孔刀座

Taper Shank, Adapter, Plate, Large Diameter Body and Cutting Insert Holder

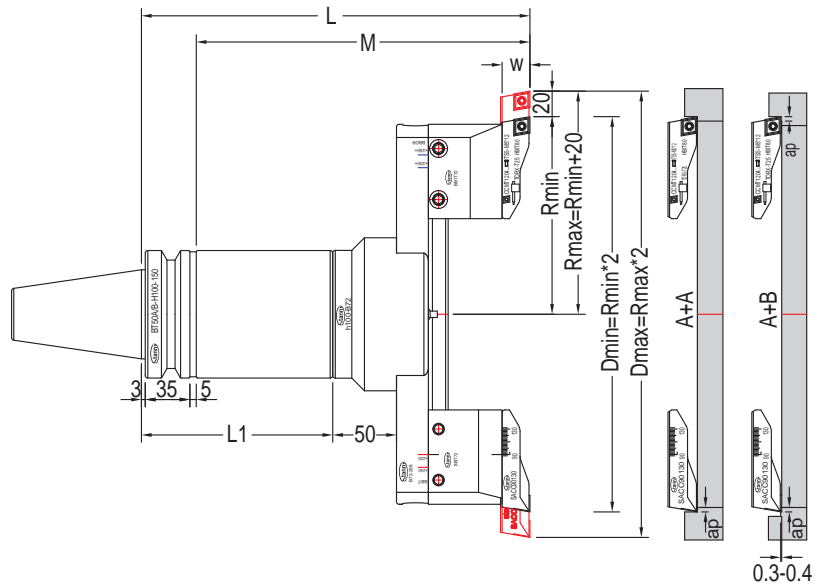


整支 SET

MAS403 BT 和 B • BIT72 大孔徑雙刃粗搪孔刀(AB type)

MAS403 BT and B • BIT72 Large Diameter Adjustable Twin Cutter Roughing and Semi-Finishing Boring System

訂貨編號 Order No.	規 格 Model	範 圍 D Boring Range øDMin-øDMax	M	L	大孔徑粗搪孔系統組合 Large Diameter Adjustable Twin Cutter Boring System					淨 重 N.W.
					搪孔刀柄 Taper Shank	接 盤 Adapter	變徑滑座 Plate	大孔徑粗搪孔刀本體 Boring Head	粗搪孔刀座 Cutting Insert Holder	
83101520AB	BT50-BBIT72-202	AB 160-220	202	245	BT50-H100-100			B72-148	SACC90130 SBCC90130	16.13
83201520AB	BT50-BBIT72-202	AB 210-270						B72-198		16.98
83301520AB	BT50-BBIT72-202	AB 260-320						B72-248		17.78
83401520AB	BT50-BBIT72-202	AB 310-370						B72-298		18.58
83501520AB	BT50-BBIT72-202	AB 360-420						B72-348		19.38
83601520AB	BT50-BBIT72-202	AB 410-470						B72-398		20.18
83111520AB	BT50-BBIT72-202	AB 200-260						B72-148		16.25
83211520AB	BT50-BBIT72-202	AB 250-310						B72-198		17.10
83311520AB	BT50-BBIT72-202	AB 300-360						B72-248		17.90
83411520AB	BT50-BBIT72-202	AB 350-410						B72-298		18.70
83511520AB	BT50-BBIT72-202	AB 400-460						B72-348		19.50
83611520AB	BT50-BBIT72-202	AB 450-510						B72-398		20.30
83101525AB	BT50-BBIT72-252	AB 160-220	252	295	BT50-H100-150	h100-B72	BBIT72	B72-148	SACC130170 SBCC130170	18.78
83201525AB	BT50-BBIT72-252	AB 210-270						B72-198		19.63
83301525AB	BT50-BBIT72-252	AB 260-320						B72-248		20.43
83401525AB	BT50-BBIT72-252	AB 310-370						B72-298		21.23
83501525AB	BT50-BBIT72-252	AB 360-420						B72-348		22.03
83601525AB	BT50-BBIT72-252	AB 410-470						B72-398		22.83
83111525AB	BT50-BBIT72-252	AB 200-260						B72-148		18.90
83211525AB	BT50-BBIT72-252	AB 250-310						B72-198		19.75
83311525AB	BT50-BBIT72-252	AB 300-360						B72-248		20.55
83411525AB	BT50-BBIT72-252	AB 350-410						B72-298		21.35
83511525AB	BT50-BBIT72-252	AB 400-460						B72-348		22.15
83611525AB	BT50-BBIT72-252	AB 450-510						B72-398		22.95
83101530AB	BT50-BBIT72-302	AB 160-220	302	345	BT50-H100-200			B72-148	SACC90130 SBCC90130	21.73
83201530AB	BT50-BBIT72-302	AB 210-270						B72-198		22.58
83301530AB	BT50-BBIT72-302	AB 260-320						B72-248		23.38
83401530AB	BT50-BBIT72-302	AB 310-370						B72-298		24.18
83501530AB	BT50-BBIT72-302	AB 360-420						B72-348		24.98
83601530AB	BT50-BBIT72-302	AB 410-470						B72-398		25.78
83111530AB	BT50-BBIT72-302	AB 200-260						B72-148		21.85
83211530AB	BT50-BBIT72-302	AB 250-310						B72-198		22.70
83311530AB	BT50-BBIT72-302	AB 300-360						B72-248		23.50
83411530AB	BT50-BBIT72-302	AB 350-410						B72-298		24.30
83511530AB	BT50-BBIT72-302	AB 400-460						B72-348		25.10
83611530AB	BT50-BBIT72-302	AB 450-510						B72-398		25.90



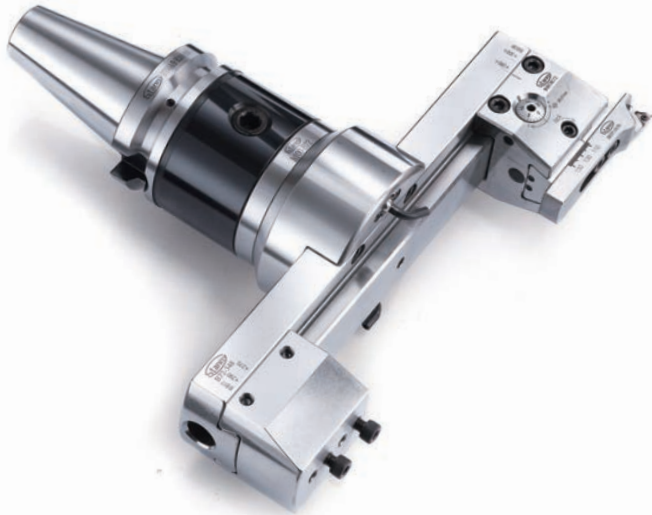
訂貨編號 Order No.	規格 Model	範圍 D Boring Range øDMin-øDMax	M	L	大孔徑粗搪孔系統組合 Large Diameter Adjustable Twin Cutter Boring System					淨重 N.W.
					搪孔刀柄 Taper Shank	接盤 Adapter	變徑滑座 Plate	大孔徑粗搪孔刀本體 Boring Head	粗搪孔刀座 Cutting Insert Holder	
83101535AB	BT50-BBIT72-352 AB	160-220	352	395	BT50-H100-250	h100-B72	BBIT72	SACC90130 SBCC90130	24.68	
83201535AB	BT50-BBIT72-352 AB	210-270							25.53	
83301535AB	BT50-BBIT72-352 AB	260-320							26.33	
83401535AB	BT50-BBIT72-352 AB	310-370							27.13	
83501535AB	BT50-BBIT72-352 AB	360-420							27.93	
83601535AB	BT50-BBIT72-352 AB	410-470							28.73	
83111535AB	BT50-BBIT72-352 AB	200-260							24.80	
83211535AB	BT50-BBIT72-352 AB	250-310							25.65	
83311535AB	BT50-BBIT72-352 AB	300-360							26.45	
83411535AB	BT50-BBIT72-352 AB	350-410							27.25	
83511535AB	BT50-BBIT72-352 AB	400-460							28.05	
83611535AB	BT50-BBIT72-352 AB	450-510							28.85	

B•BOR72

大孔徑微調精搪孔刀組合系統

Large Diameter Finishing Cutter Fine Boring System

搪孔刀柄、接盤、變徑滑座、大孔徑精搪孔刀本體、平衡座、精搪孔刀座
 Taper Shank, Adapter, Plate, Large Diameter Body, Balance Holder and Cutting Insert Holder

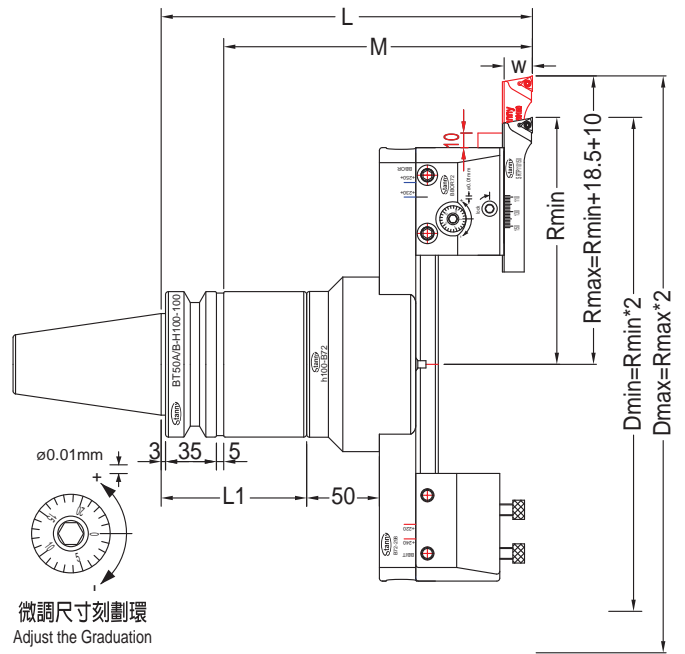


整支 SET

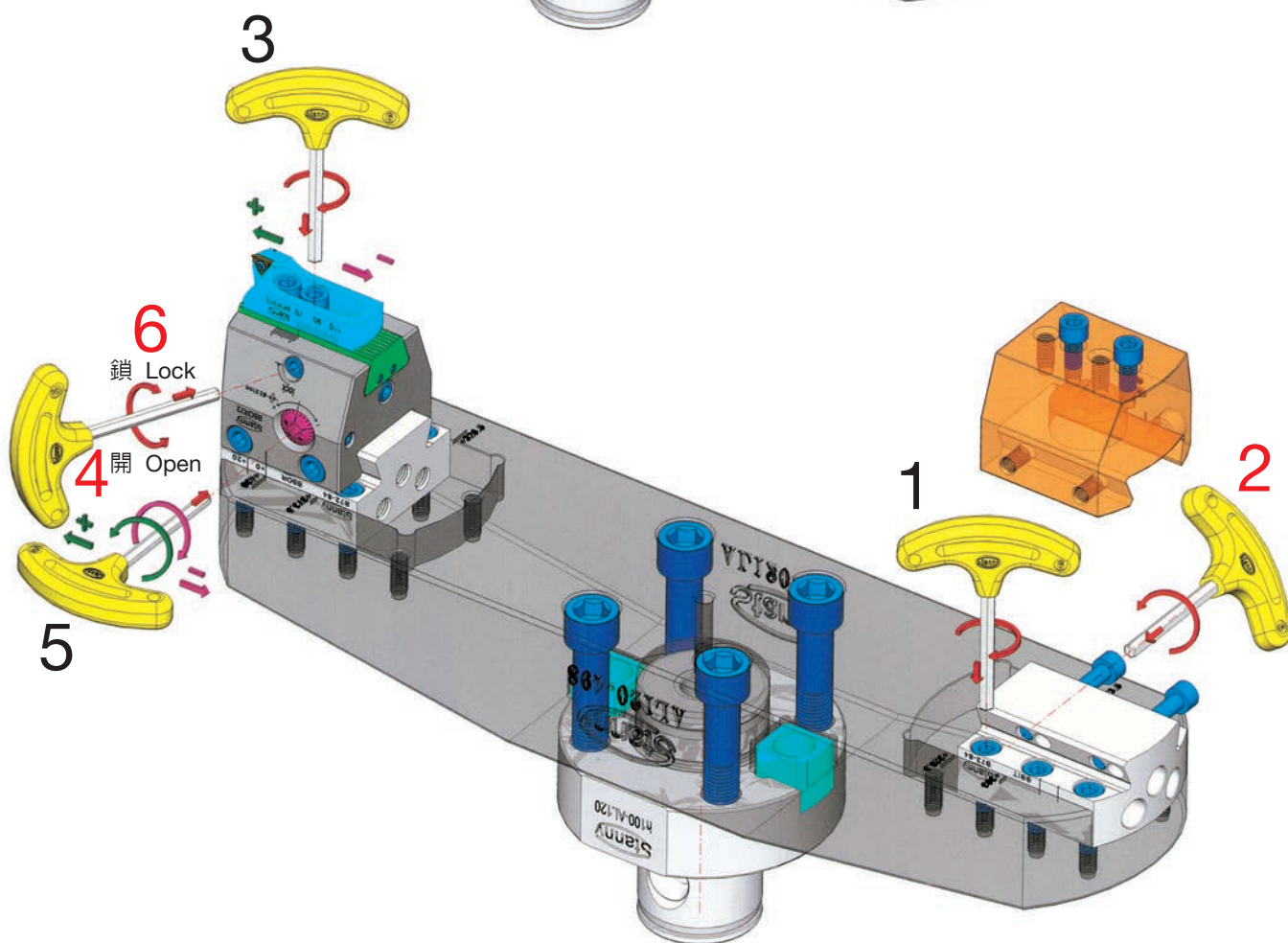
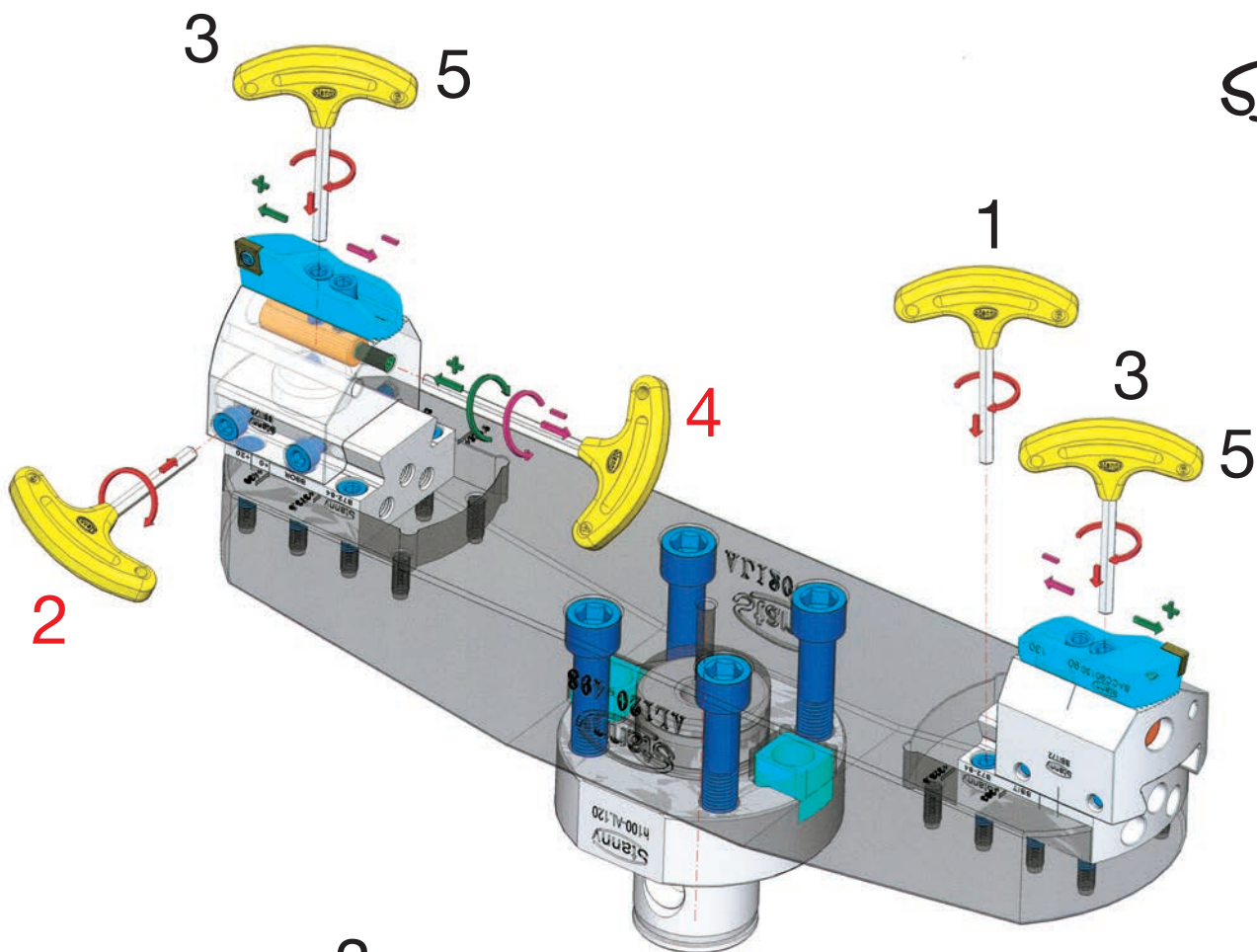
MAS403 BT 和 B•BOR72 大孔徑微調精搪孔刀

MAS403 BT and B•BOR72 Large Diameter Finishing Cutter Fine Boring System

訂貨編號 Order No.	規 格 Model	範 圍 D Boring Range øDMin-øDMax	M	L	大孔徑精搪孔系統組合 Large Diameter Finishing Cutter Fine Boring System					淨 重 N.W.	
					搪孔刀柄 Taper Shank	接 盤 Adapter	變徑滑座 Plate	大孔徑精搪孔刀本體 Boring Head	精搪孔刀座 Cutting Insert Holder		
85101520	BT50-BBOR72-202	M 150-227	202	245	BT50-H100-100			B72-148	SRTP70110	16.24	
85201520	BT50-BBOR72-202	M 200-277						B72-198		17.09	
85301520	BT50-BBOR72-202	M 250-327						B72-248		17.89	
85401520	BT50-BBOR72-202	M 300-377						B72-298		18.69	
85501520	BT50-BBOR72-202	M 350-427						B72-348		19.49	
85601520	BT50-BBOR72-202	M 400-477						B72-398		20.29	
85111520	BT50-BBOR72-202	M 190-267						B72-148		SRTP110150	16.35
85211520	BT50-BBOR72-202	M 240-317						B72-198			17.20
85311520	BT50-BBOR72-202	M 290-367						B72-248			18.00
85411520	BT50-BBOR72-202	M 340-417						B72-298			18.80
85511520	BT50-BBOR72-202	M 390-467						B72-348			19.60
85611520	BT50-BBOR72-202	M 440-517						B72-398			20.40
85101525	BT50-BBOR72-252	M 150-227	252	295	BT50-H100-150	h100-B72	BBOR72 B72W	B72-148	SRTP70110	18.89	
85201525	BT50-BBOR72-252	M 200-277						B72-198		19.74	
85301525	BT50-BBOR72-252	M 250-327						B72-248		20.54	
85401525	BT50-BBOR72-252	M 300-377						B72-298		21.34	
85501525	BT50-BBOR72-252	M 350-427						B72-348		22.14	
85601525	BT50-BBOR72-252	M 400-477						B72-398		22.94	
85111525	BT50-BBOR72-252	M 190-267						B72-148		SRTP110150	19.00
85211525	BT50-BBOR72-252	M 240-317						B72-198			19.85
85311525	BT50-BBOR72-252	M 290-367						B72-248			20.65
85411525	BT50-BBOR72-252	M 340-417						B72-298			21.45
85511525	BT50-BBOR72-252	M 390-467						B72-348			22.25
85611525	BT50-BBOR72-252	M 440-517						B72-398			23.05
85101530	BT50-BBOR72-302	M 150-227	302	345	BT50-H100-200			B72-148	SRTP70110	21.84	
85201530	BT50-BBOR72-302	M 200-277						B72-198		22.69	
85301530	BT50-BBOR72-302	M 250-327						B72-248		23.49	
85401530	BT50-BBOR72-302	M 300-377						B72-298		24.29	
85501530	BT50-BBOR72-302	M 350-427						B72-348		25.09	
85601530	BT50-BBOR72-302	M 400-477						B72-398		25.89	
85111530	BT50-BBOR72-302	M 190-267						B72-148		SRTP110150	21.95
85211530	BT50-BBOR72-302	M 240-317						B72-198			22.80
85311530	BT50-BBOR72-302	M 290-367						B72-248			23.60
85411530	BT50-BBOR72-302	M 340-417						B72-298			24.40
85511530	BT50-BBOR72-302	M 390-467						B72-348			25.20
85611530	BT50-BBOR72-302	M 440-517						B72-398			26.00



訂貨編號 Order No.	規格 Model	範圍 D Boring Range øDMin-øDMax	M	L	大孔徑精搪孔系統組合 Large Diameter Finishing Cutter Fine Boring System					淨重 N.W.
					搪孔刀柄 Taper Shank	接盤 Adapter	變徑滑座 Plate	大孔徑精搪孔刀本體 Boring Head	精搪孔刀座 Cutting Insert Holder	
85101535	BT50-BBOR72-352	M 150-227	352	395	BT50-H100-250	h100-B72	BBOR72 B72W	SRTP70110	24.79	
85201535	BT50-BBOR72-352	M 200-277							25.64	
85301535	BT50-BBOR72-352	M 250-327							26.44	
85401535	BT50-BBOR72-352	M 300-377							27.24	
85501535	BT50-BBOR72-352	M 350-427							28.04	
85601535	BT50-BBOR72-352	M 400-477							28.84	
85111535	BT50-BBOR72-352	M 190-267							SRTP110150	24.90
85211535	BT50-BBOR72-352	M 240-317								25.75
85311535	BT50-BBOR72-352	M 290-367								26.55
85411535	BT50-BBOR72-352	M 340-417								27.35
85511535	BT50-BBOR72-352	M 390-467								28.15
85611535	BT50-BBOR72-352	M 440-517								28.95





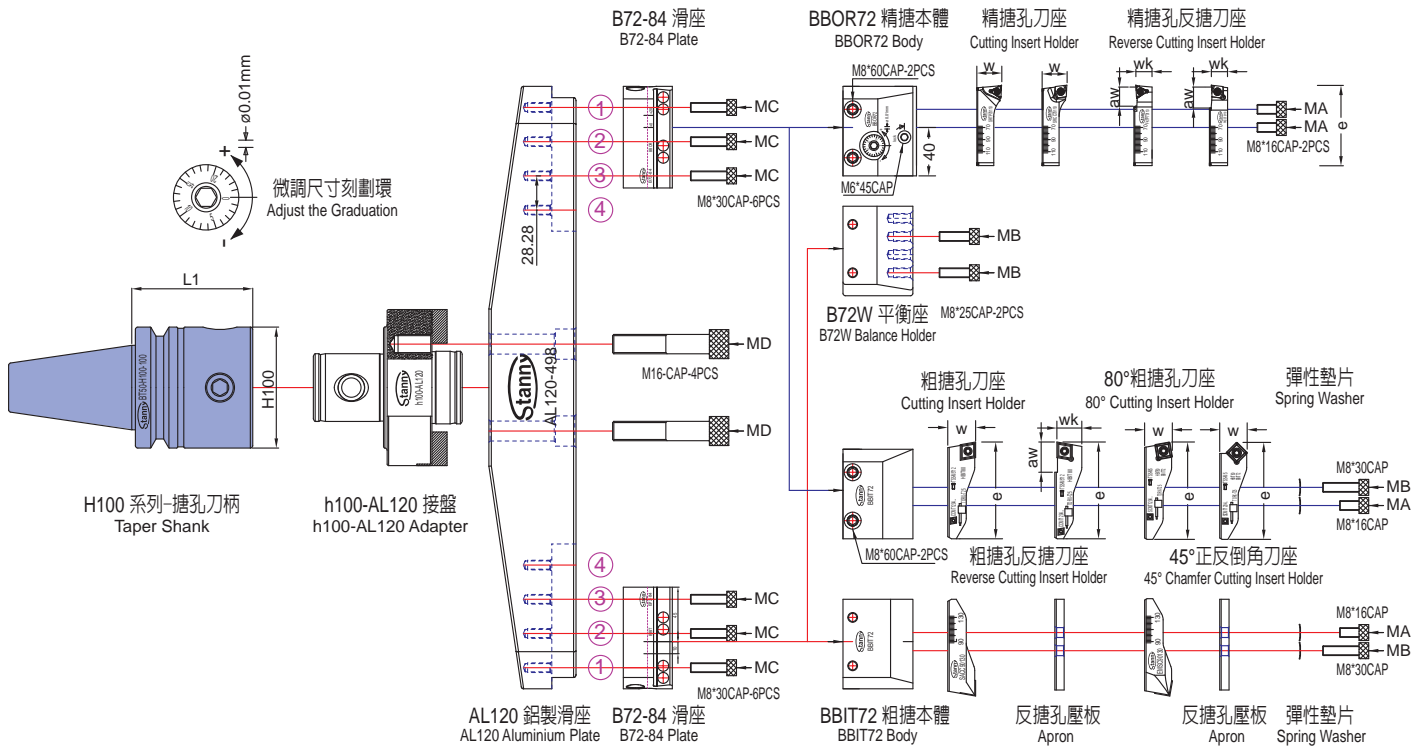
h100-AL120 大孔徑搪孔刀組合系統
Large Diameter Boring System



h100-AL120

大孔徑搪孔刀組合系統 Large Diameter Boring System

- 搪孔刀柄 Taper Shank
- 延長接桿 Extension Spacer
- 接盤 Adapter
- 鋁製滑座 Aluminium Plate
- 滑座 Plate
- 大孔徑粗搪孔刀本體 Large Diameter Body
- 粗搪孔刀座 Cutting Insert Holder
- 80°粗搪孔刀座 80° Cutting Insert Holder
- 45°正反倒角粗搪孔刀座 45° Chamfer Cutting Insert Holder
- 粗搪孔反搪刀座 Reverse Cutting Insert Holder
- 大孔徑精搪孔刀本體 Large Diameter Body
- 平衡座 Balance Holder
- 精搪孔刀座 Cutting Insert Holder
- 菱形精搪孔刀座 Rhombus Cutting Insert Holder
- 精搪孔反搪刀座 Reverse Cutting Insert Holder
- 菱形精搪孔反搪刀座 Rhombus Reverse Cutting Insert Holder



BT50-H100-100

規格：請參閱P.19
Specification please refer to P.19



DIN69871A
ISO50-H100-100

規格：請參閱P.21
Specification please refer to P.21



h100H100-100

規格：請參閱P.24
Specification please refer to P.24

h100-AL120

大孔徑搪孔刀組合系統 Large Diameter Boring System

搪孔刀柄 Taper Shank

延長接桿 Extension Spacer

■ 接盤 Adapter

■ 鋁製滑座 Aluminium Plate

■ 滑座 Plate

大孔徑粗搪孔刀本體 Large Diameter Body

粗搪孔刀座 Cutting Insert Holder

80°粗搪孔刀座 80° Cutting Insert Holder

45°正反倒角粗搪孔刀座 45° Chamfer Cutting Insert Holder

粗搪孔反搪刀座 Reverse Cutting Insert Holder

大孔徑精搪孔刀本體 Large Diameter Body

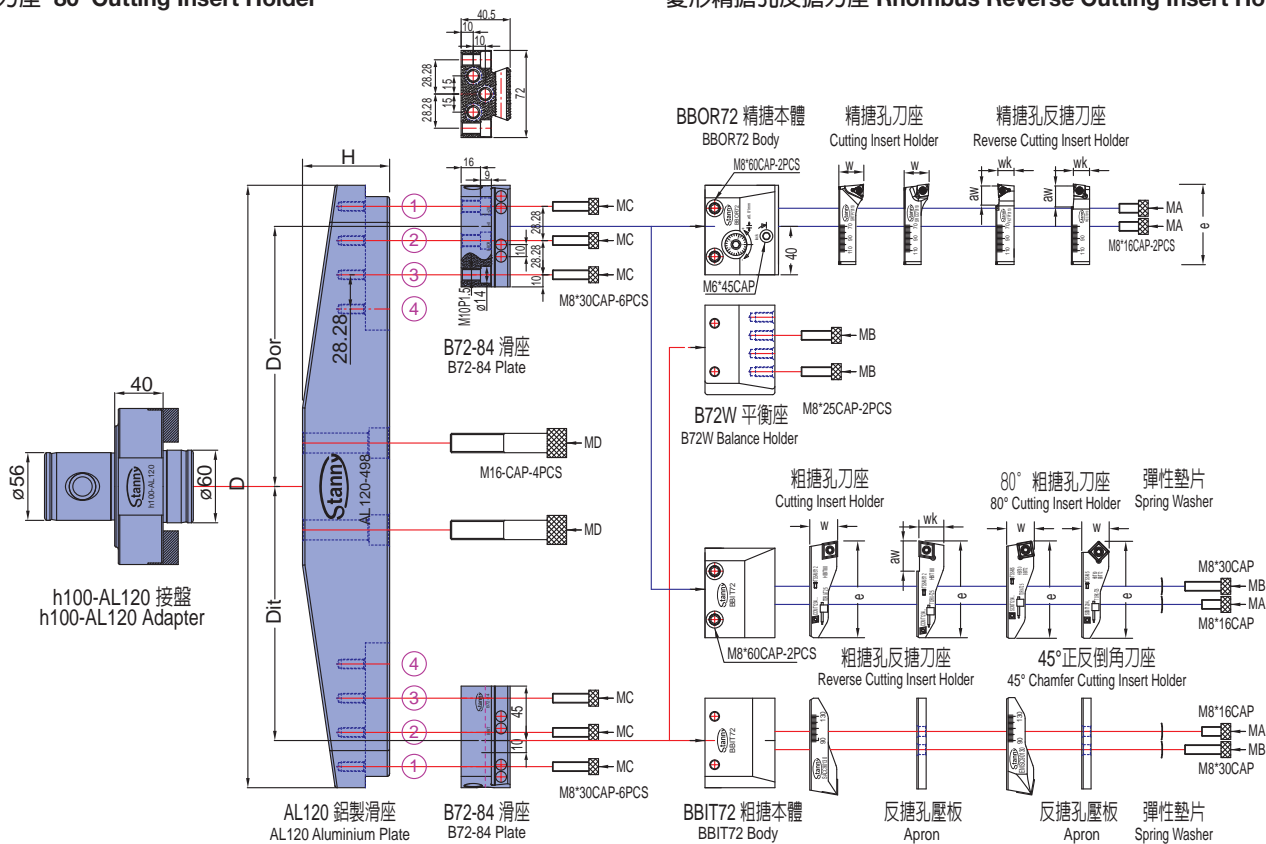
平衡座 Balance Holder

精搪孔刀座 Cutting Insert Holder

菱形精搪孔刀座 Rhombus Cutting Insert Holder

精搪孔反搪刀座 Reverse Cutting Insert Holder

菱形精搪孔反搪刀座 Rhombus Reverse Cutting Insert Holder



h100-AL120 接盤
h100-AL120 Adapter

h100-AL120接盤

Adapter for B•BIT and B•BOR Large Diameter Boring System

訂貨編號 Order No.	規格 Model	淨重 N.W.
41120000	h100-AL120	5.00

AL120 鋁製滑座

Aluminium Plate for B•BIT and B•BOR Large Diameter Boring System

訂貨編號 Order No.	規格 Model	H	BBOR Dor	BBIT Dit	MD	MC	淨重 N.W.
70720398	AL120-398	67	165	160	M16×75-4PCS	M8×30-12PCS	6.36
70720498	AL120-498	72	215	210	M16×80-4PCS	M8×30-12PCS	8.76
70720598	AL120-598	77	265	260	M16×85-4PCS	M8×30-12PCS	11.27
70720698	AL120-698	82	315	310	M16×90-4PCS	M8×30-12PCS	13.77
70720798	AL120-798	87	365	360	M16×95-4PCS	M8×30-12PCS	16.87
70720898	AL120-898	92	415	410	M16×100-4PCS	M8×30-12PCS	19.92
70720998	AL120-998	97	465	460	M16×105-4PCS	M8×30-12PCS	23.07

註: 鋁製變徑滑座設有兩組M8孔, 相距28.28mm, 可增加 $\phi 56.5$ mm搪孔範圍, 使搪孔範圍更附彈性。
Remark: Aluminium Plate has M8 holes, distance 28.28mm and the boring range increase $\phi 56.5$ mm.

B72-84滑座

Plate for B•BIT and B•BOR Large Diameter Boring System

訂貨編號 Order No.	規格 Model	淨重 N.W.
70072084	B72-84	1.20

註: 變徑滑座設有兩組測孔, 相距10mm, 可增加 $\phi 20$ mm搪孔範圍, 使搪孔範圍更附彈性。
Remark: Plate has four holes, distance 10mm and the boring range increase $\phi 20$ mm.

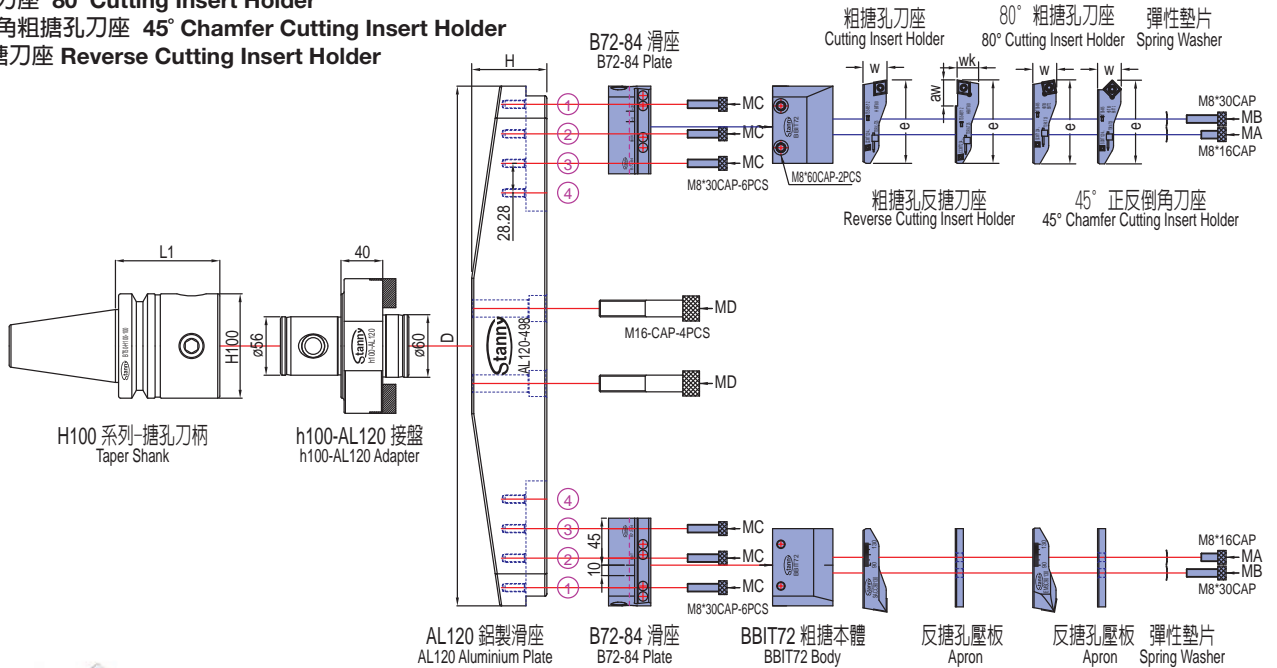


h100-AL120

大孔徑搪孔刀組合系統 Large Diameter Boring System

搪孔刀柄 Taper Shank
 延長接桿 Extension Spacer
 接盤 Adapter
 鋁製滑座 Aluminium Plate
 滑座 Plate

- 大孔徑粗搪孔刀本體 Large Diameter Body
- 粗搪孔刀座 Cutting Insert Holder
- 80°粗搪孔刀座 80° Cutting Insert Holder
- 45°正反倒角粗搪孔刀座 45° Chamfer Cutting Insert Holder
- 粗搪孔反搪刀座 Reverse Cutting Insert Holder



B • BIT72 大孔徑粗搪孔本體 Body for Large Diameter Adjustable Twin Cutter Roughing

訂貨編號 Order No.	規格 Model	移動量 Mobile	MA Bolt	MB Bolt	板手 Wrench	淨重 N.W.
70007372	BBIT72	20	M8x16	M8x30	○ 4 ○ 6	1.44



B • BIT72 粗搪孔刀座 Cutting Insert Holder for B • BIT Large Diameter Adjustable Twin Cutter Roughing

訂貨編號 Order No.	規格 Model	W	e	刀片 Insert	螺絲 Bolt	板手 Wrench	淨重 N.W.
30809013A	SACC90130	22.6	79.5	CCMT1204..	TS5-M5	T25	0.17
30809013B	SBCC90130		0.18				
30813017A	SACC130170		0.23				
30813017B	SBCC130170		0.24				



B • BIT72 80°粗搪孔刀座 80° Cutting Insert Holder for B • BIT Adjustable Twin Cutter Roughing

訂貨編號 Order No.	規格 Model	w	e	刀片 Insert	螺絲 Bolt	板手 Wrench	淨重 N.W.
30809013M	EMSC90130	23.1	80.5	SCMT1204..	TS5-M5	T25	0.17
30813017M	EMSC130170		100.5				0.23



B • BIT72 45°正反倒角粗搪孔刀座 45° Chamfer Cutting Insert Holder for B • BIT Adjustable Single Cutter Roughing

訂貨編號 Order No.	規格 Model	W	e	刀片 Insert	螺絲 Bolt	板手 Wrench	淨重 N.W.
30809013W	IWSC90130	23.1	80.5	SCMT1204..	TS5-M5	T25	0.16
30813017W	IWSC130170		100.5				0.22



B • BIT72 粗搪孔反搪刀座 Reverse Cutting Insert Holder for B • BIT Large Diameter Adjustable Single Cutter Roughing

訂貨編號 Order No.	規格 Model	aw	wk	e	刀片 Insert	螺絲 Bolt	板手 Wrench	淨重 N.W.
30809013K	RKCC90130	22	22	79.5	CCMT1204..	TS5-M5	T25	0.18
30813017K	RKCC130170	44	22	99.5				0.25

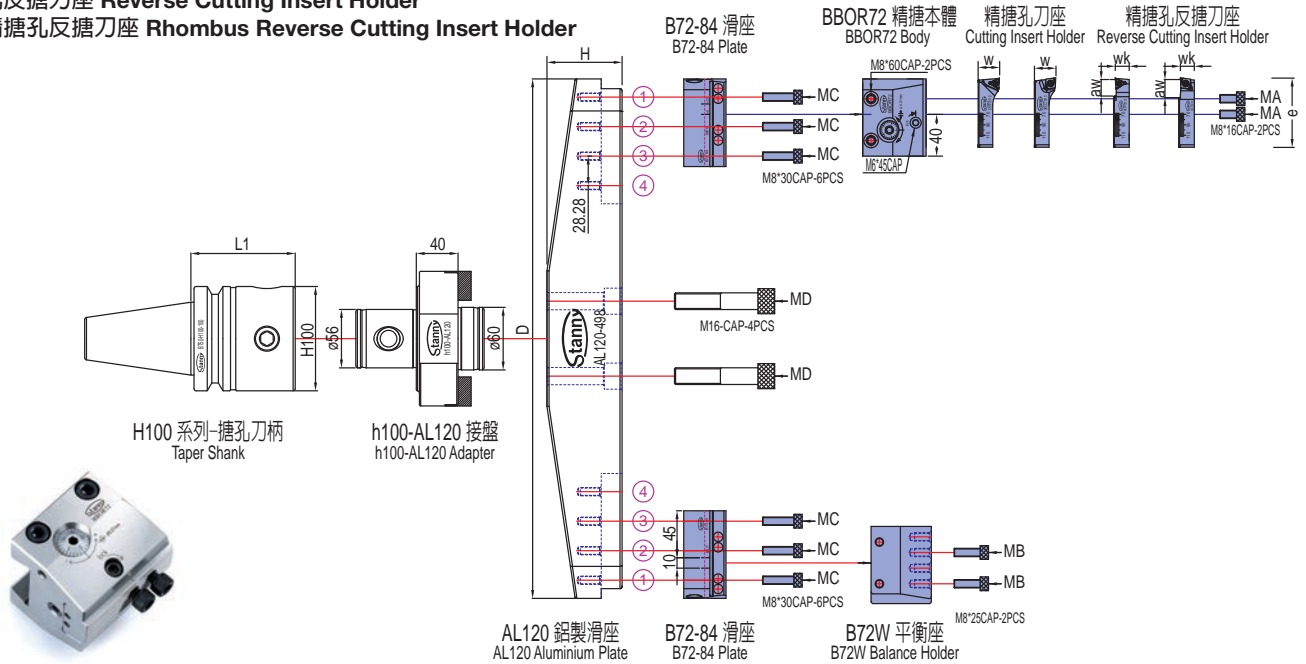
h100-AL120

大孔徑搪孔刀組合系統 Large Diameter Boring System

搪孔刀柄 Taper Shank
 延長接桿 Extension Spacer
 接盤 Adapter

鋁製滑座 Aluminium Plate

- 大孔徑精搪孔刀本體 Large Diameter Body
- 平衡座 Balance Holder
- 精搪孔刀座 Cutting Insert Holder
- 菱形精搪孔刀座 Rhombus Cutting Insert Holder
- 精搪孔反搪刀座 Reverse Cutting Insert Holder
- 菱形精搪孔反搪刀座 Rhombus Reverse Cutting Insert Holder



B • BOR72 大孔徑微調精搪孔本體+B72W平衡座 Body and Balance Holder for Large Diameter Finishing Cutter Fine Boring System

訂貨編號 Order No.	規格 Model	移動量 Mobile	MA Bolt	MA Bolt	板手 Wrench	淨重 N.W.
70007572	BBOR72	28.5	M8x16		◇5 ◇6	1.65
70007472	B72W			M8x25		1.59

B • BOR72 精搪孔刀座 Cutting Insert Holder for B•BOR Large Diameter Finishing Cutter Fine Boring System

訂貨編號 Order No.	規格 Model	W	e	刀片 Insert	螺絲 Bolt	板手 Wrench	淨重 N.W.
50637011	SRTP70110	20	66	TPGH1103..L	SB-3TR-M3	T8	0.10
50637115	SRTP110150	20	106				0.21

B • BOR72 菱形精搪孔刀座 Rhombus Cutting Insert Holder for B•BOR Large Diameter Finishing Cutter Fine Boring System

訂貨編號 Order No.	規格 Model	W	e	刀片 Insert	螺絲 Bolt	板手 Wrench	淨重 N.W.
50637011CC	SRCC70110	20	67	CCGT09T3..L	TS4-M4	T15	0.10
50637115CC	SRCC110150	20	107				0.20

B • BOR72 精搪孔反搪刀座 Reverse Cutting Insert Holder for B•BOR Large Diameter Finishing Cutter Fine Boring System

訂貨編號 Order No.	規格 Model	aw	wk	e	刀片 Insert	螺絲 Bolt	板手 Wrench	淨重 N.W.
50637011K	FKTP70110	16	15	66	TPGH1103..R	SB-3TR-M3	T8	0.10
50637115K	FKTP110150	25	15	106				0.21

B • BOR72 菱形精搪孔反搪刀座 Rhombus Reverse Cutting Insert Holder for B•BOR Large Diameter Finishing Cutter Fine Boring System

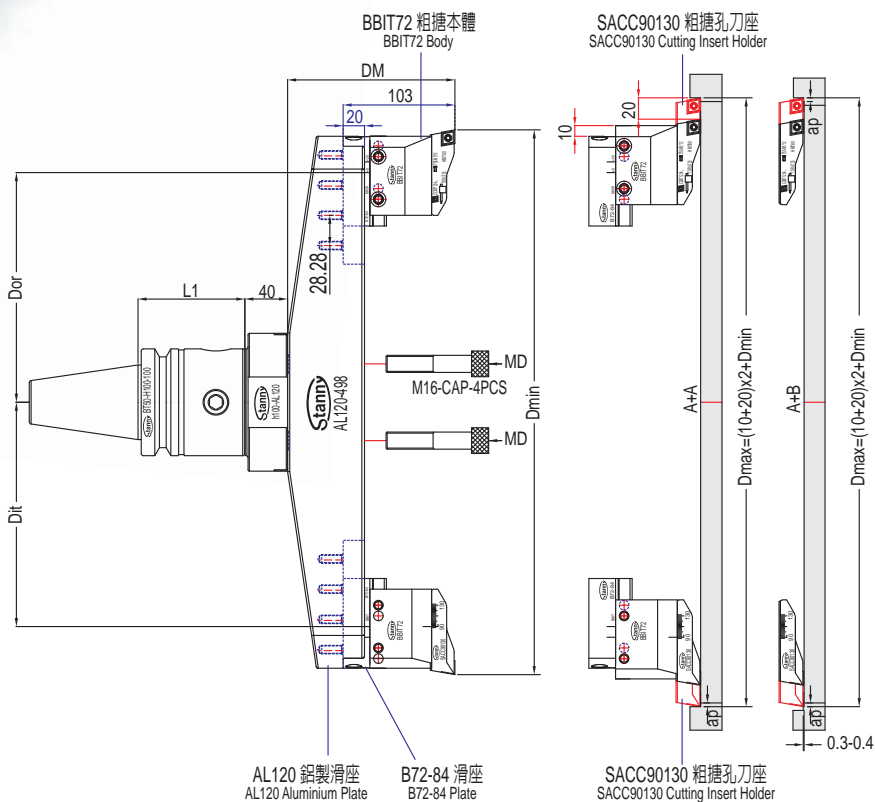
訂貨編號 Order No.	規格 Model	aw	wk	e	刀片 Insert	螺絲 Bolt	板手 Wrench	淨重 N.W.
50637011KC	FKCC70110	16	15	67	CCGT09T3..R	TS4-M4	T15	0.10
50637115KC	FKCC110150	28	15	107				0.20

AL-B•BIT72

大孔徑雙刃粗搪孔刀組合系統--AB type

Large Diameter Adjustable Twin Cutter Roughing and Semi-Finishing Boring System

搪孔刀柄、接盤、鋁製滑座、大孔徑粗搪孔刀本體、粗搪孔刀座
 Taper Shank, Adapter, Aluminium Plate, Large Diameter Body and Cutting Insert Holder



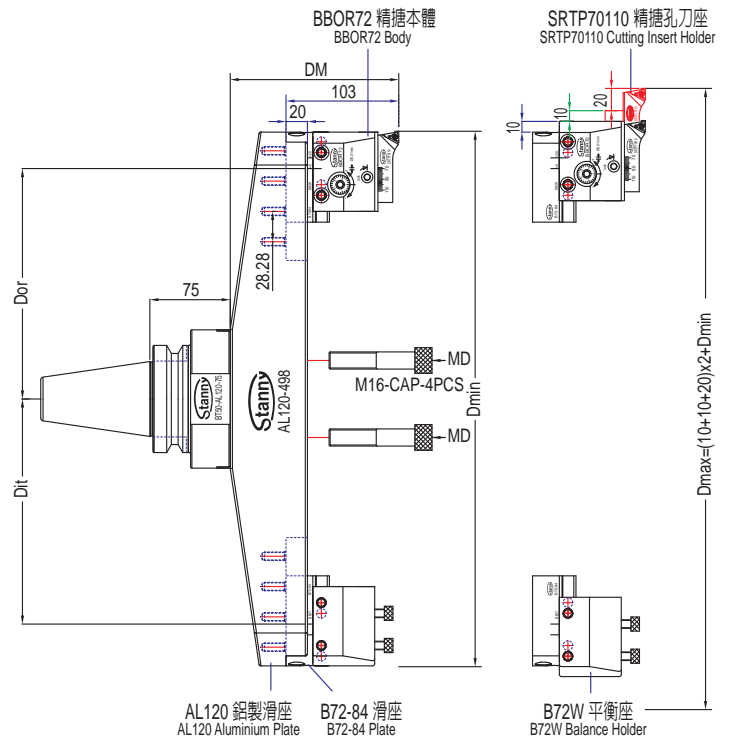
訂貨編號 Order No.	規格 Model	範圍 D Boring Range øDMin-øDMax	深度 DM	大孔徑粗搪孔系統組合 Large Diameter Adjustable Twin Cutter Boring System					淨重 N.W.
				搪孔刀柄 Taper Shank	鋁製滑座 Aluminium Plate	滑座 Plate	大孔徑粗搪孔本體 Boring Head	粗搪孔刀座 Cutting Insert Holder	
93310000AB	AL-BBIT72 AB	410-470	150		AL120-398				12.00
93410000AB	AL-BBIT72 AB	510-570	155		AL120-498				14.40
93510000AB	AL-BBIT72 AB	610-670	160		AL120-598				16.91
93610000AB	AL-BBIT72 AB	710-770	165		AL120-698				19.41
93710000AB	AL-BBIT72 AB	810-870	170		AL120-798				22.51
93810000AB	AL-BBIT72 AB	910-970	175		AL120-898				25.56
93910000AB	AL-BBIT72 AB	1010-1070	180	BT50-H100 (P.19) +	AL120-998				28.72
93320000AB	AL-BBIT72 AB	450-510	150	h100-AL120 (P.87)	AL120-398	B72-84	BBIT72	SACC90130 SBCC90130	12.12
93420000AB	AL-BBIT72 AB	550-610	155		AL120-498				14.52
93520000AB	AL-BBIT72 AB	650-710	160	BT50-AL120 (P.92)	AL120-598				17.03
93620000AB	AL-BBIT72 AB	750-810	165		AL120-698			SACC130170 SBCC130170	19.53
93720000AB	AL-BBIT72 AB	850-910	170		AL120-798				22.63
93820000AB	AL-BBIT72 AB	950-1010	175		AL120-898				25.68
93920000AB	AL-BBIT72 AB	1050-1110	180		AL120-998				28.84

AL-B•BOR72

大孔徑微調精搪孔刀組合系統

Large Diameter Finishing Cutter Fine Boring System

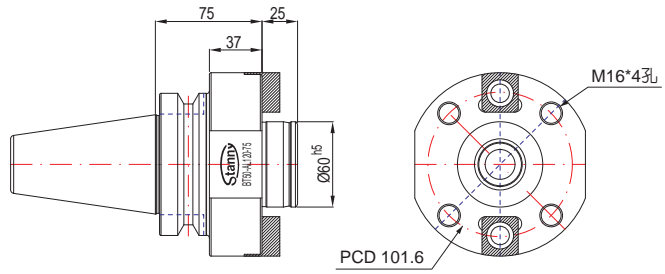
搪孔刀柄、接盤、鋁製滑座、大孔徑精搪孔刀本體、平衡座、精搪孔刀座
 Taper Shank, Adapter, Aluminium Plate, Large Diameter Body, Balance Holder and Cutting Insert Holder



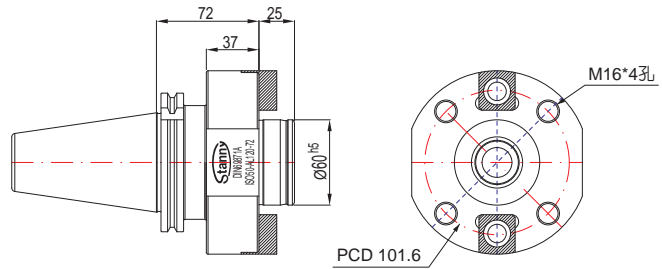
訂貨編號 Order No.	規格 Model	範圍 D Boring Range øDMin-øDMax	深度 DM	大孔徑精搪孔系統組合 Large Diameter Finishing Cutter Fine Boring System					淨重 N.W.
				搪孔刀柄 Taper Shank	鋁製滑座 Aluminium Plate	滑座 Plate	大孔徑精搪孔本體 Boring Head	精搪孔刀座 Cutting Insert Holder	
95310000	AL-BBOR72 M	400-480	150		AL120-398				12.36
95410000	AL-BBOR72 M	500-580	155		AL120-498				14.76
95510000	AL-BBOR72 M	600-680	160		AL120-598				17.27
95610000	AL-BBOR72 M	700-780	165		AL120-698				19.77
95710000	AL-BBOR72 M	800-880	170		AL120-798				22.87
95810000	AL-BBOR72 M	900-980	175		AL120-898				25.92
95910000	AL-BBOR72 M	1000-1080	180		AL120-998				29.08
95320000	AL-BBOR72 M	440-520	150	BT50-H100 (P.19) +	AL120-398	B72-84	BBOR72 B72W	SRTP70110	12.47
95420000	AL-BBOR72 M	540-620	155	h100-AL120 (P.87)	AL120-498				14.87
95520000	AL-BBOR72 M	640-720	160		AL120-498			SRTP110150	17.38
95620000	AL-BBOR72 M	740-820	165		AL120-598				19.88
95720000	AL-BBOR72 M	840-920	170		AL120-698				22.98
95820000	AL-BBOR72 M	940-1020	175		AL120-798				26.03
95920000	AL-BBOR72 M	1040-1120	180		AL120-898				29.19
					AL120-998				

h100-AL120

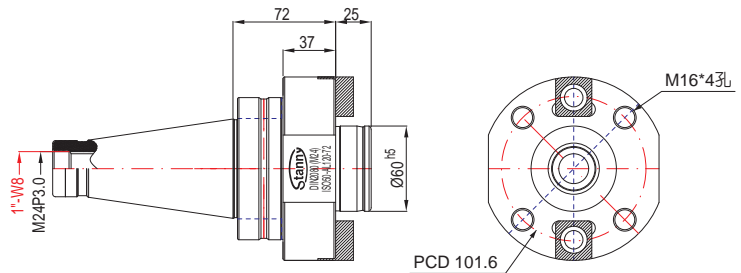
搪孔刀柄 Taper Shank for Boring System



訂貨編號 Order No.	規格 Model	淨重 N.W.
41201507	BT50-AL120-75	7.00



訂貨編號 Order No.	規格 Model	淨重 N.W.
41202507	DIN69871A SK50-AL120-72	7.10



訂貨編號 Order No.	規格 Model	淨重 N.W.
41200507 M	DIN2080 NT50-AL120-72 M24	7.15
41200507 I	DIN2080 NT50-AL120-72 1"W8	7.15



NBH2084/RBH 微調精搪孔系統

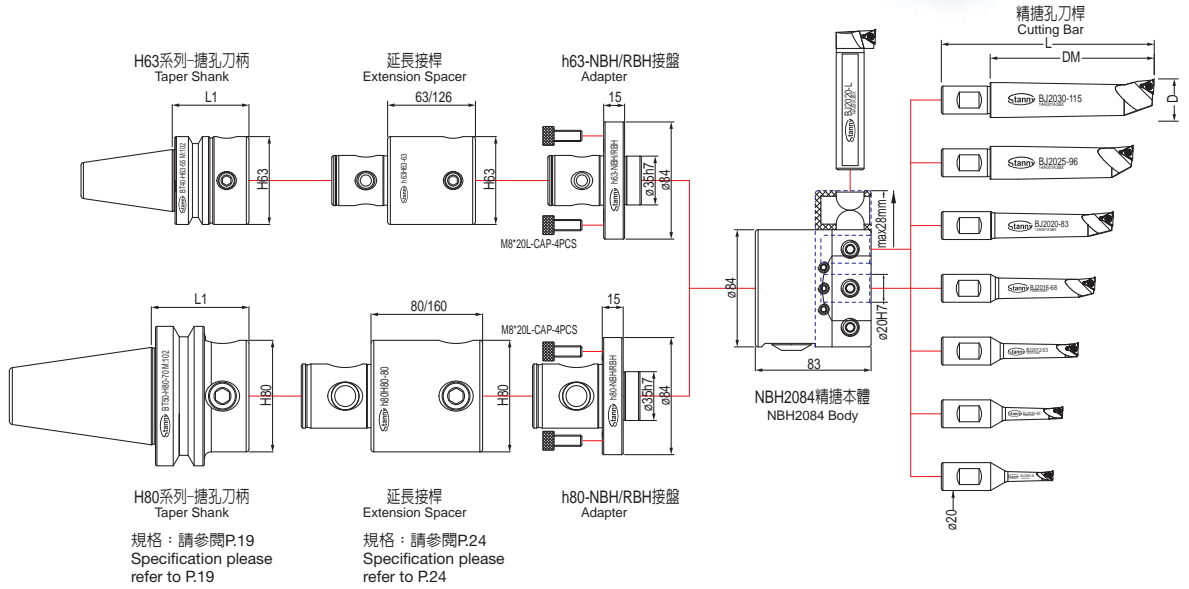
Boring System



NBH2084

微調精搪孔系統 Boring System

搪孔刀柄 Taper Shank
 延長接桿 Extension Spacer
 接盤 Adapter
 精搪孔刀本體 Body
 精搪孔刀桿 Cutting Bar



NBH2084微調精搪孔系統－接盤 Adapter for NBH2084 Boring System

訂貨編號 Order No.	規格 Model	淨重 N.W.
42638415	h63-NBH/RBH	0.85
42808415	h80-NBH/RBH	1.12



NBH2084微調精搪孔系統－精搪孔刀本體 Body for NBH2084 Boring System

訂貨編號 Order No.	規格 Model	刀徑 Cutting Bar	扳手 Wrench	淨重 N.W.
20840000	NBH2084	φ 20	◇ 4 ◇ 6	3.0



NBH2084微調精搪孔系統－精搪孔刀桿 Cutting Bar for NBH2084 Boring System

訂貨編號 Order No.	規格 Model	範圍 D Boring Range φDmin-φDmax	深度 DM	L	系統 System	刀片 Insert	螺絲 Bolt	扳手 Wrench	淨重 N.W.			
20010832	BJ2008-32	8-11	32	80	NBH2084	TBGT0601..L	SB-1STR-M2	T6	0.12			
20011040	BJ2010-40	10-13	40	87					0.12			
20011253	BJ2012-53	12-17	53	98					TPGH0902..L	SB-2TR-M2.5	T8	0.12
20011668	BJ2016-68	16-21	68	110								0.16
20012083	BJ2020-83	20-125	83	123		0.22						
20012596	BJ2025-96	25-130	96	137		0.24						
20013011	BJ2030-115	30-135	115	152		TPGH1103..L	SB-3TR-M3	T8	0.38			
20012020	BJ2020-L	120-280	84+BT L1	100					0.46			



NBH2084

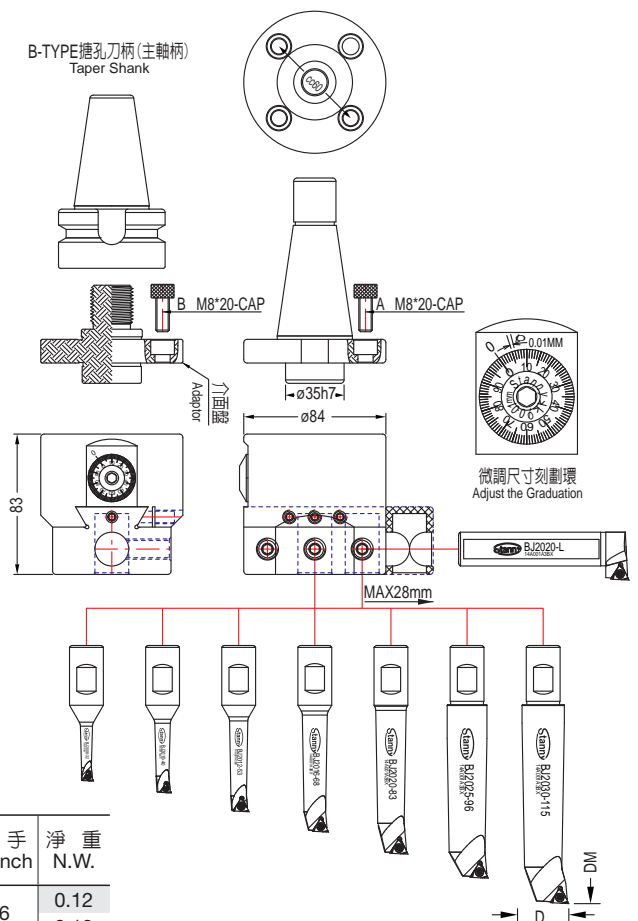
微調精搪孔系統 Boring System

整組 SET $\phi 8 \sim \phi 280$



A-TYPE 搪孔刀柄 (主軸柄)
Taper Shank

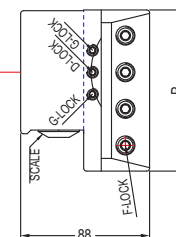
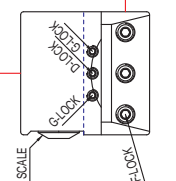
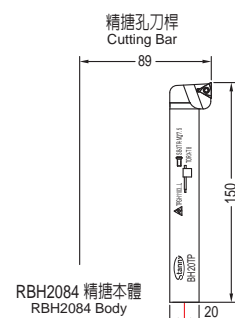
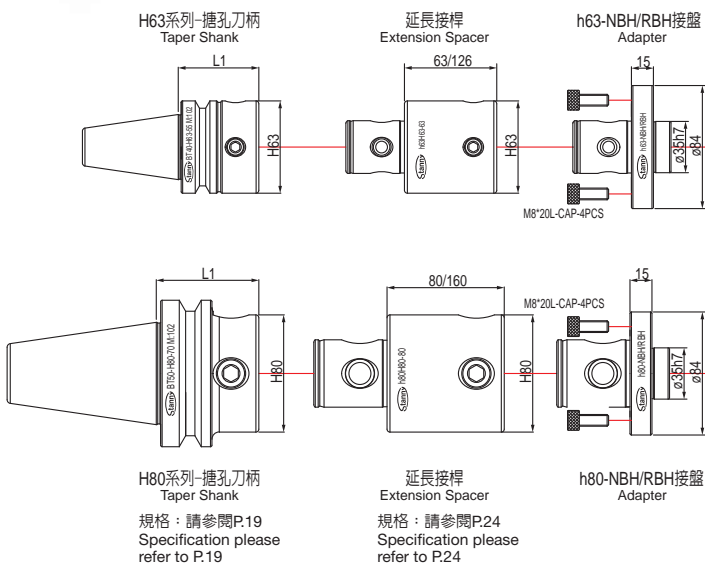
B-TYPE 搪孔刀柄 (主軸柄)
Taper Shank



訂貨編號 Order No.	規格 Model	範圍 D Boring Range $\phi D_{min} \sim \phi D_{max}$	組合系統-主軸柄規格 Taper Shank	淨重 N.W.
20908808	R8-NBH2084	8-280	R8-UNF7/16-20-NBH2084	10
20900308	NT30-NBH2084	8-280	DIN2080 ISO30-NBH2084	9.8
20900408	NT40-NBH2084	8-280	DIN2080 ISO40-NBH2084	10.3
20900510	NT50-NBH2084	8-280	DIN2080 ISO50-NBH2084	12.6
20906408	MT4-NBH2084	8-280	DIN228A MT4-NBH2084	10.3
20906508	MT5-NBH2084	8-280	DIN228A MT5-NBH2084	11.1
20901410	BT40-NBH2084	8-280	MAS403 BT40-NBH2084	10.8
20901510	BT50-NBH2084	8-280	MAS403 BT50-NBH2084	13.5
20902410	SK40-NBH2084	8-280	DIN69871A ISO40-NBH2084	10.7
20902510	SK50-NBH2084	8-280	DIN69871A ISO50-NBH2084	13

訂貨編號 Order No.	規格 Model	範圍 D Boring Range $\phi D_{min} \sim \phi D_{max}$	深度 DM	刀片 Insert	螺絲 Bolt	板手 Wrench	淨重 N.W.
20010832	BJ2008-32	8-11	32	TBGT0601..L	SB-1STR-M2	T6	0.12
20011040	BJ2010-40	10-13	40	TPGH0902..L	SB-2TR-M2.5	T6	0.12
20011253	BJ2012-53	12-17	53				0.12
20011668	BJ2016-68	16-21	68	TPGH1103..L	SB-3TR-M3	T8	0.16
20012083	BJ2020-83	20-125	83				0.22
20012596	BJ2025-96	25-130	96				0.24
20013011	BJ2030-115	30-135	115				0.38
20012020	BJ2020-L	120-280	84+BT L1				0.46

搪孔刀柄 Taper Shank
 延長接桿 Extension Spacer
 接盤 Adapter
 精搪孔刀本體 Body
 精搪孔刀桿 Cutting Bar



RBH20110精搪本體
RBH20110 Body

RBH微調精搪孔系統 – 接盤 Adapter for RBH Boring System

訂貨編號 Order No.	規格 Model	淨重 N.W.
42638415	h63-NBH/RBH	0.85
42808415	h80-NBH/RBH	1.12

RBH微調精搪孔系統 – 精搪孔刀本體 Body for RBH Boring System

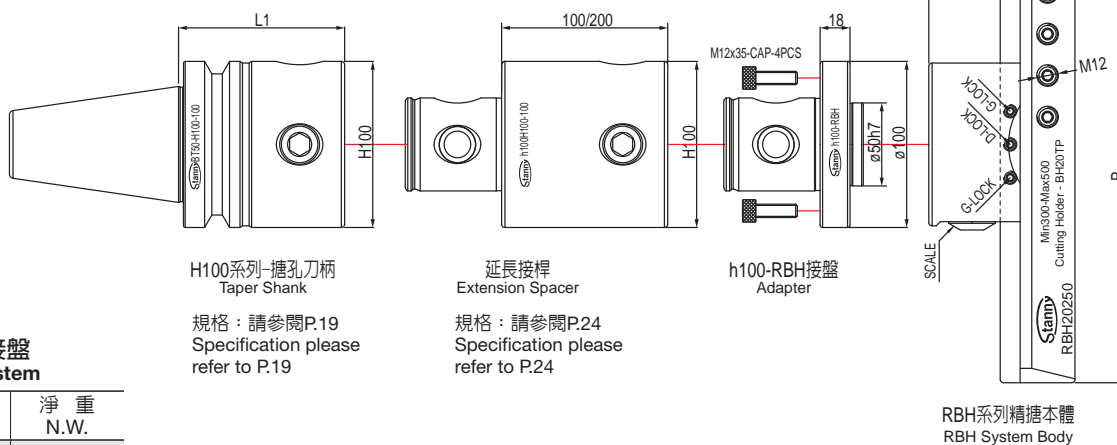
訂貨編號 Order No.	規格 Model	範圍 D Boring Range øDmin-øDmax	滑座外徑 R Body Diameter	刀徑 Cutting Bar	淨重 N.W.
20850080	RBH2084	140-300	ø84	□20	2.88
20860080	RBH20110	150-350	ø110	□20	3.88

RBH微調精搪孔系統 – 精搪孔刀桿 Cutting Bar for RBH Boring System

訂貨編號 Order No.	規格 Model	刀徑 Cutting Bar	刀片 Insert	螺絲 Bolt	板手 Wrench	淨重 N.W.
20020150	BH20TP	□20	TPGH1103..L	SB-3TR-M3	T8	0.45



- 搪孔刀柄 Taper Shank
- 延長接桿 Extension Spacer
- 接盤 Adapter
- 精搪孔刀本體 Body
- 精搪孔刀桿 Cutting Bar



RBH微調精搪孔系統 – 接盤 Adapter for RBH Boring System

訂貨編號 Order No.	規格 Model	淨重 N.W.
42101218	h100-RBH	1.95

RBH微調精搪孔系統 – 精搪孔刀本體 Body for RBH Boring System

訂貨編號 Order No.	規格 Model	範圍 D Boring Range øDmin-øDmax	滑座外徑 R Body Diameter	刀徑 Cutting Bar	淨重 N.W.
20870080	RBH20150	170-370	ø150	□20	4.88
20880080	RBH20250	270-470	ø250	□20	5.90
20890080	RBH20350	370-570	ø350	□20	7.35

RBH微調精搪孔系統 – 精搪孔刀桿 Cutting Bar for RBH Boring System

訂貨編號 Order No.	規格 Model	刀徑 Cutting Bar	刀片 Insert	螺絲 Bolt	板手 Wrench	淨重 N.W.
20020150	BH20TP	□20	TPGH1103..L	SB-3TR-M3	T8	0.45





世邦興業股份有限公司
STANNY MACHINE TOOLS CO., LTD.

43750 台中市大甲區重義二路7號

No. 7, Chongyi 2nd Rd., Dajia Dist.,
 Taichung City 43750, Taiwan.

TEL:886-4-26761805 FAX:886-4-26761807

[Http://www.stanny.com.tw](http://www.stanny.com.tw)

E-mail:stanny88@ms45.hinet.net

上海辦事處:

上海真熊機電設備有限公司

200032上海市徐匯區小木橋路538弄2號1903室

TEL:86-21-54257215 FAX:86-21-54251735

[Http://www.stanny.cn](http://www.stanny.cn)

E-mail:stanny8866@163.com

