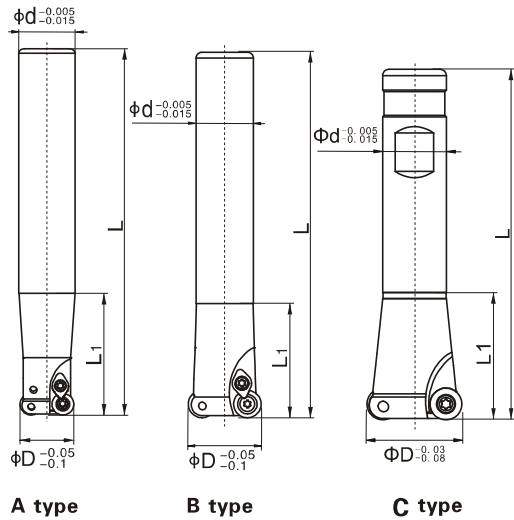




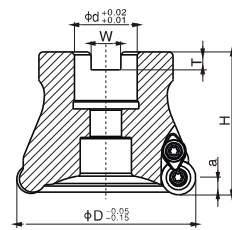
★ TRS endmills



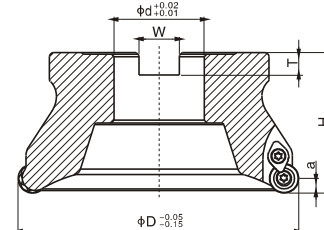
MODEL NO.	z	type	mm								inserts
			D	d	L	L1	L2				
TRS-5Rx20x120	2	A	20	20	120	50	-	MS4090 MS35100	T15F T15	A-5R	RD0010T3
TRS-5Rx20x160	2	A	20	20	160	50	-				
TRS-5Rx21x160-C20	2	B	21	20	160	50	-				
TRS-5Rx25x120	2	A	25	25	120	50	-				
TRS-5Rx25x160	2	A	25	25	160	50	-				
TRS-5Rx25x200	2	A	25	25	200	75	-				
TRS-5Rx30x110-C20	2	C	30	20	110	60	-				
TRS-5Rx30x160-C25	2	B	30	25	160	60	-				
TRS-5Rx30x200-C25	2	B	30	25	200	60	-				
TRS-5Rx32x160	2	A	32	32	160	60	-				
TRS-5Rx32x200	2	A	32	32	200	75	-				
TRS-5Rx32x250	2	A	32	32	250	100	-				
TRS-5Rx35x160-C32	3	B	35	32	160	60	-				
TRS-5Rx35x200-C32	3	B	35	32	200	60	-				
TRS-5Rx35x250-C32	3	B	35	32	250	60	-				
TRS-5Rx40x160-C32	4	B	40	32	160	60	-				
TRS-5Rx40x200-C32	4	B	40	32	200	60	-				
TRS-5Rx40x250-C32	4	B	40	32	250	60	-				
TRS-6Rx32x160	2	A	32	32	160	60	-	MS40100 MS40100	T15F T15	A-6R	RDMW1204MO
TRS-6Rx32x200	2	A	32	32	200	60	-				
TRS-6Rx32x250	2	A	32	32	250	60	-				
TRS-6Rx35x160-C32	3	B	35	32	160	60	-				
TRS-6Rx35x200-C32	3	B	35	32	200	60	-				
TRS-6Rx35x250-C32	3	B	35	32	250	60	-				
TRS-6Rx40x160-C32	3	B	40	32	160	60	-				
TRS-6Rx40x200-C32	3	B	40	32	200	60	-				
TRS-6Rx40x250-C32	3	B	40	32	250	60	-				



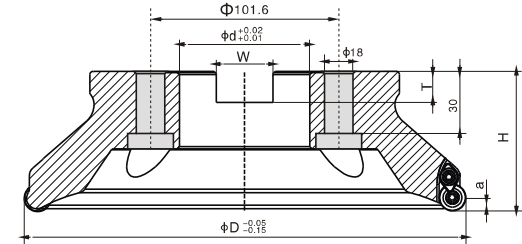
★ TRS Cutters



A type



B type



C type



MODEL NO.	Z	type	mm					MS4090 MS35100	T15F T15	A-5R	inserts
			D	d	H	W	T				
TRS-5R-50-22	4	A	50	22	50	10.4	6.3	MS4090 MS35100	T15F T15	A-5R	RD□□10T3
TRS-5R-63-22	5	A	63	22	50	10.4	6.3				
TRS-5R-80-27	6	A	80	27	50	12.4	7				
TRS-5R-100-32	6	B	100	32	50	14.4	8				
TRS-5R-50-25.4	4	A	50	25.4	50	10	6				
TRS-5R-63-25.4	5	A	63	25.4	50	10	6				
TRS-5R-80-25.4	6	A	80	25.4	50	12	6				
TRS-6R-50-22	4	A	50	22	50	10.4	6.3	MS40100 MS40100	T15F T15	A-6R	RDMW1204MO
TRS-6R-63-22	5	A	63	22	50	10.4	6.3				
TRS-6R-80-27	6	A	80	27	50	12.4	7				
TRS-6R-100-32	6	B	100	32	50	14.4	8				
TRS-6R-125-40	6	B	125	40	63	16.4	9				
TRS-6R-160-40	8	B	160	40	63	16.4	9				
TRS-6R-200-60	10	C	200	60	63	25.7	14				
TRS-6R-50-25.4	4	A	50	25.4	50	10	6				
TRS-6R-63-25.4	5	A	63	25.4	50	10	6				
TRS-6R-80-25.4	6	A	80	25.4	50	12	6				